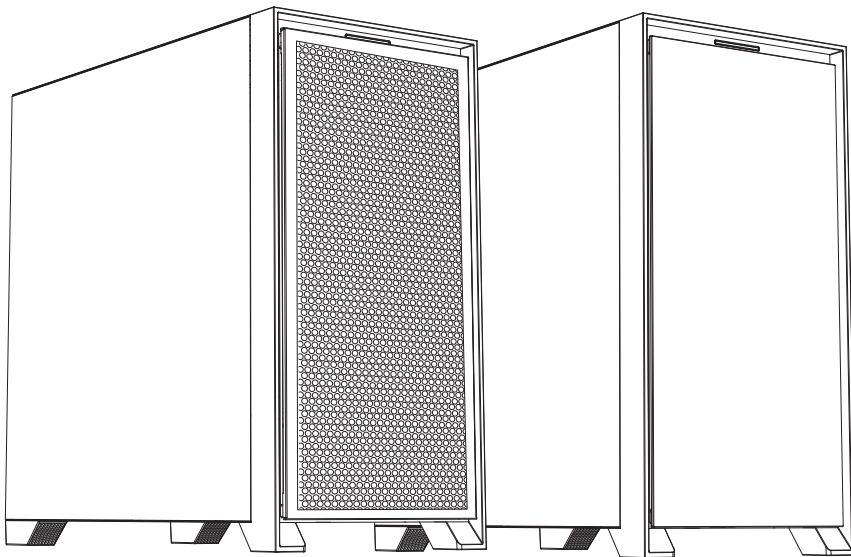




DRX90

TEMPERED GLASS SIDE PANEL

LUXURY PC CHASSIS



DRX90 MESH

DRX90 GLASS

CATALOGUE

1. PRODUCT INFORMATION.....02

2. COMPONENTS AND PORTS.....06



1.1 Accessory Box... 03

1.2 Spacing And Specification... 04

1.1 ACCESSORY BOX



Motherboard Screws*19



Hard Disk Screws*8



Psu Screws*6



Iron Columns*3
(pre-installed 6pcs)



HD Audio Caps *2



USB Caps *2



Copper Pillar Spacer*1



Microfiber Cloth *1



Plastic Female Buckles*2



Type-C Caps *1



Belts *5



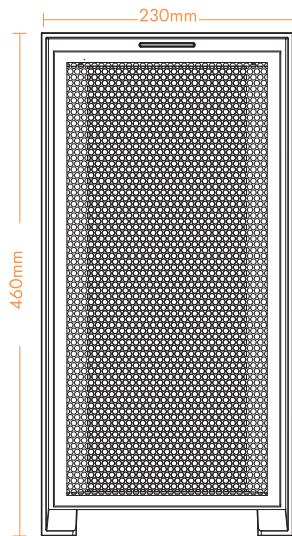
PCI *1



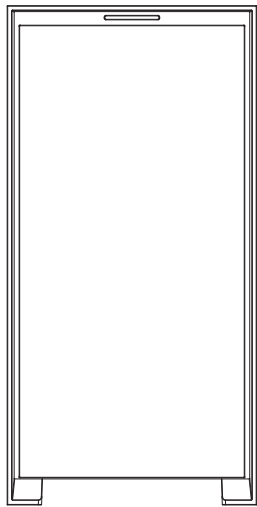
Fan Screws*12

1.2 CLEARANCES AND SPECIFICATIONS

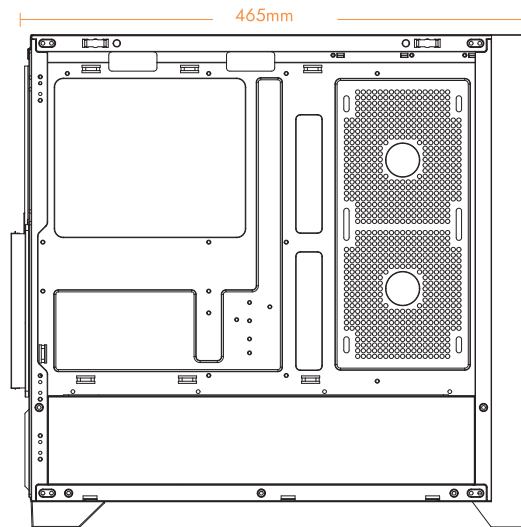
DRX90 TEMPERED GLASS SIDE PANEL
LUXURY PC CHASSIS



(DRX90 Mesh)



(DRX90 Glass)



1.2 CLEARANCES AND SPECIFICATIONS



Motherboard Support

ATX、 Micro-ATX、 ITX

2.5"SSD Support

1

3.5"HDD Support

2

PCI Slots

7

I/O Ports

Type-C/ USB3.0*1/ USB2.0*1/ HD Audio/ Power/ Reset

Power Supply

Bottom,ATX

Integrated CPU Liquid Cooler

185mm(Max)

Max GPU Clearance

395mm

Fan Support

Top : 120mm*3/ 140mm*2

Front : 120mm*3/ 140mm*3

Side : 120mm*2

PUS Chamber : 120mm*3

Rear : 120mm*1/ 140mm*1

Radiator Support

Top : 240/280/360mm

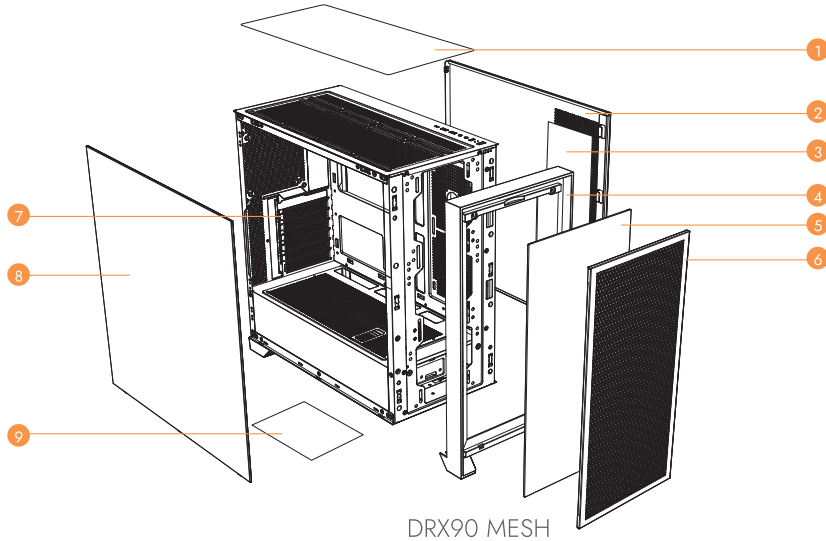
Rear : 120mm

2 COMPONENTS AND PORTS



2.1 EXPLODED VIEW	7	2.7 EXPANSION CARD INSTALLATION	14
2.2 CABLE CONNECTIONS	9	2.8 POWER SUPPLY INSTALLATION	15
2.3 BUTTONS AND I/O	10	2.9 FAN AND RADIATOR SUPPORT	16
2.4 MOTHERBOARD INSTALLATION	11	2.10 FAN ARE INSTALLED	17
2.5 SSD DRIVE INSTALLATION	12	2.11 RADIATOR INSTALLED	18
2.6 HDD DRIVE INSTALLATION	13		

2.1 EXPLODED VIEW



No.	PART NAME
-----	-----------

1.	Top dust Filter
----	-----------------

2.	Right Side Panel
----	------------------

3.	Side dust Filter
----	------------------

4.	Front panel rack
----	------------------

5.	Front panel air filter
----	------------------------

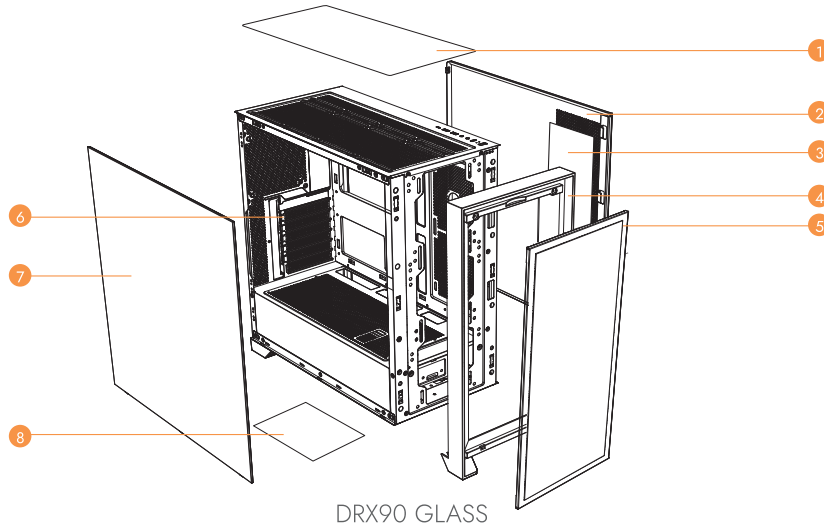
6.	Front panel
----	-------------

7.	PCIE Slot Cover
----	-----------------

8.	Left Tempered glass Panel
----	---------------------------

9.	Bottom dust Filter
----	--------------------

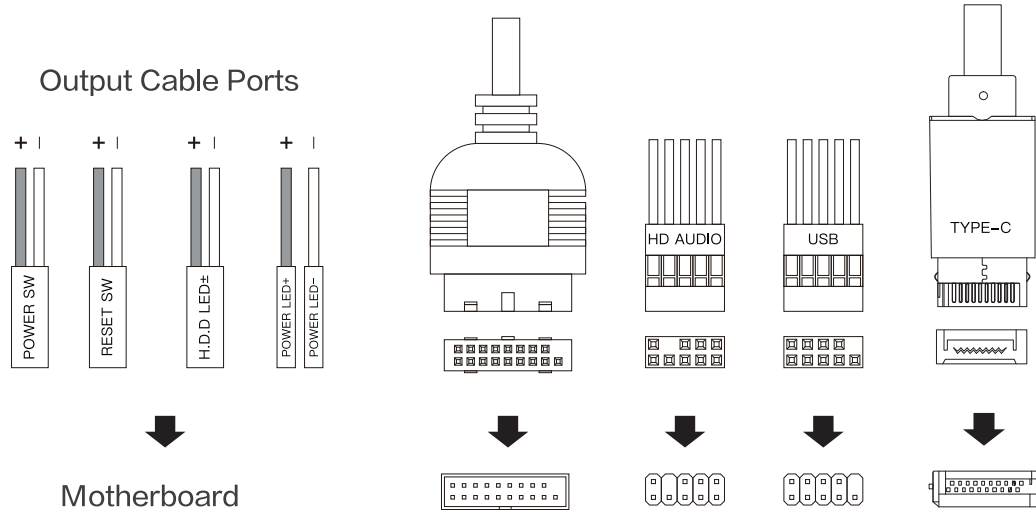
2.1 EXPLODED VIEW



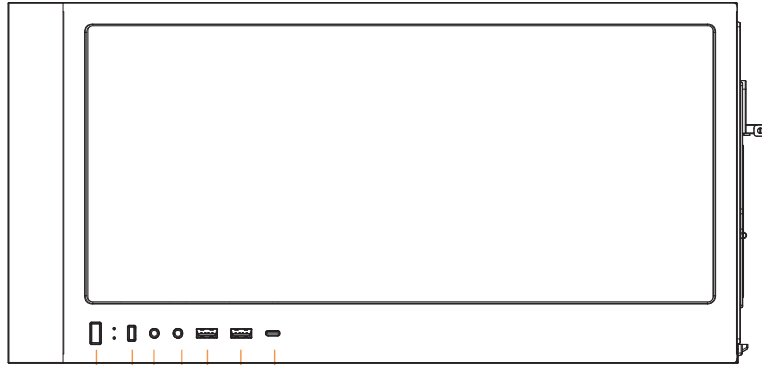
No. PART NAME

- 1.Top dust Filter
- 2. Right Side Panel
- 3.Side dust Filter
- 4.Front panel rack
- 5.Front panel
- 6.PCIE Slot Cover
- 7.Left Tempered glass Panel
- 8.Bottom dust Filter

2.2 CABLE CONNECTIONS



2.3 BUTTONS AND I/O



1 2 3 4 5 6

No. PART NAME

1.Power

2.Reset

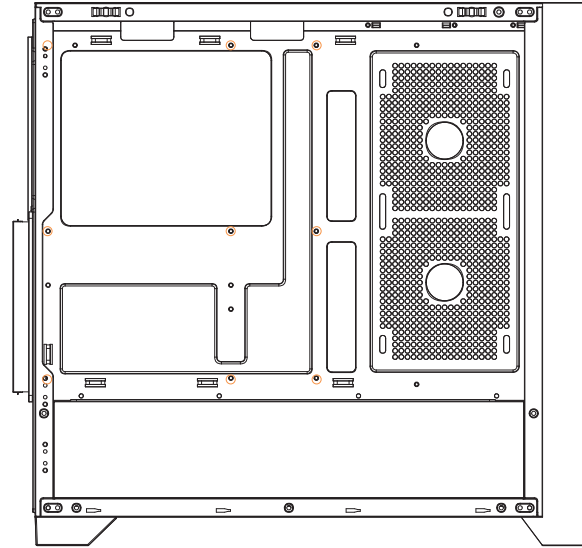
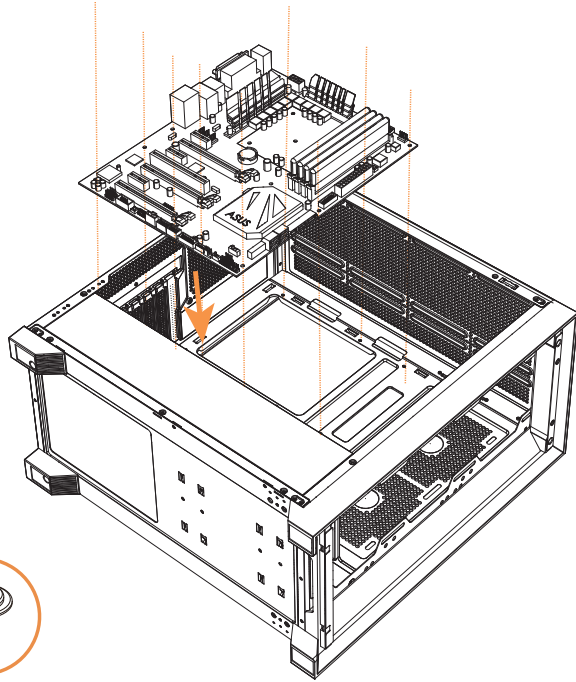
3.HD Audio

4.USB 2.0*1

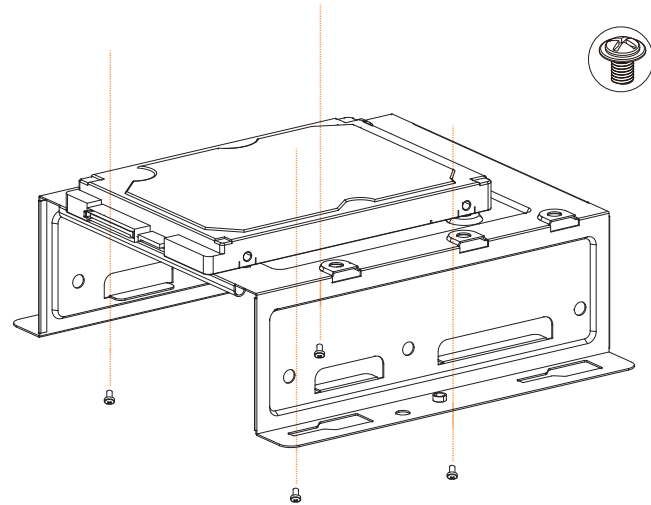
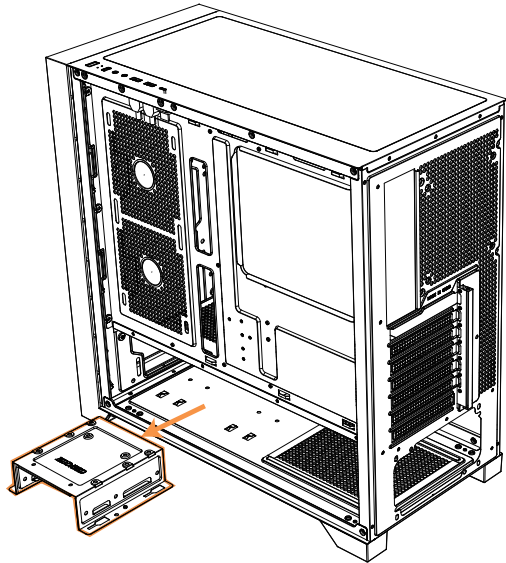
5.USB 3.0*1

6.Type-C

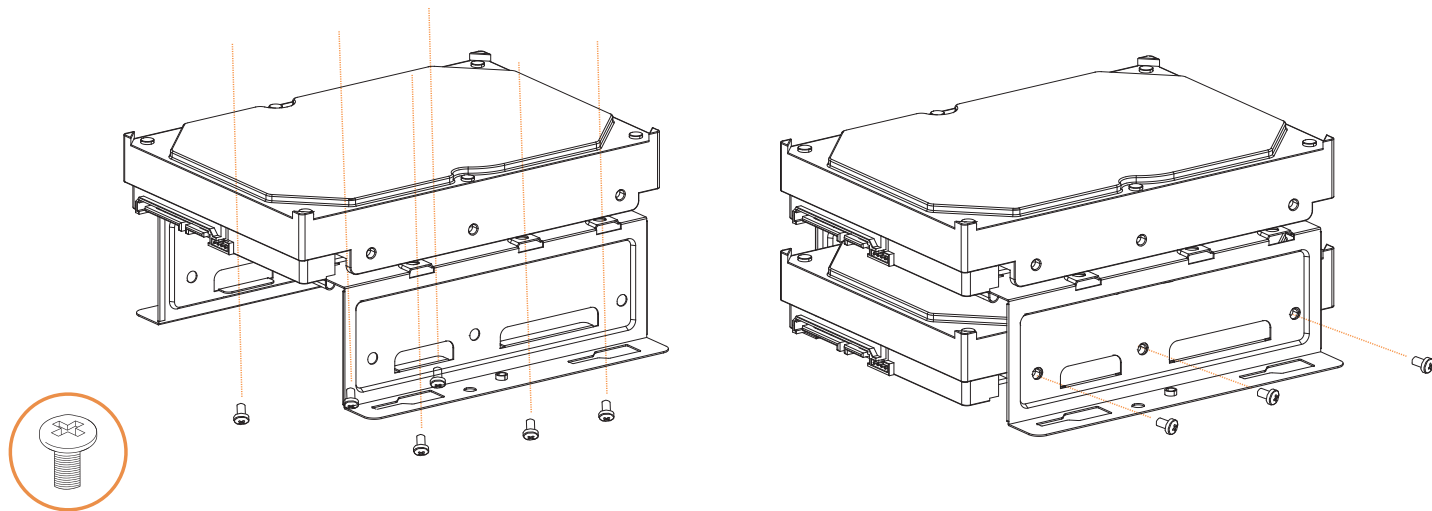
2.4 MOTHERBOARD INSTALLATION



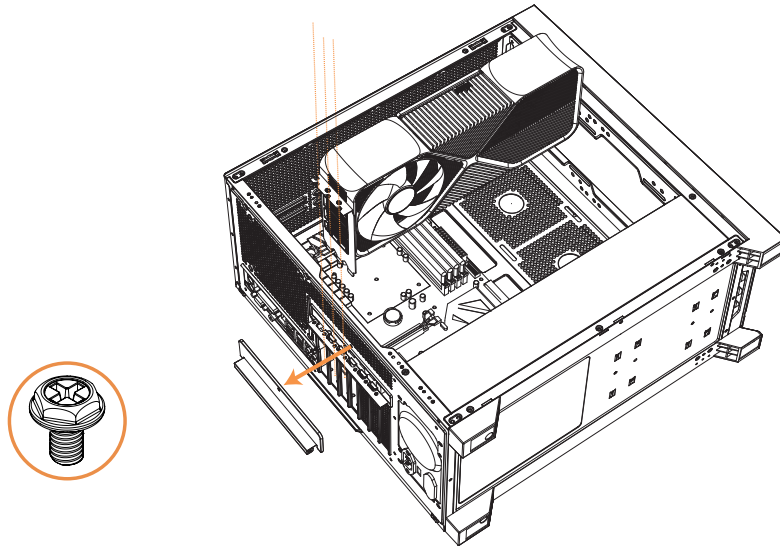
2.5 SSD DRIVE INSTALLATION



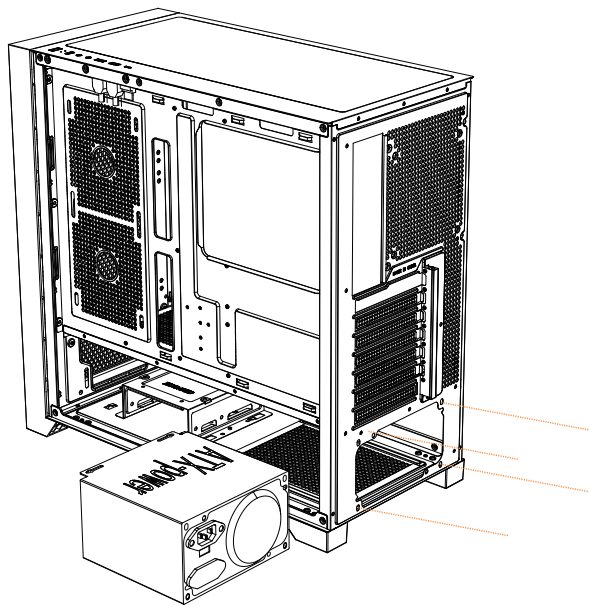
2.6 HDD DRIVE INSTALLATION



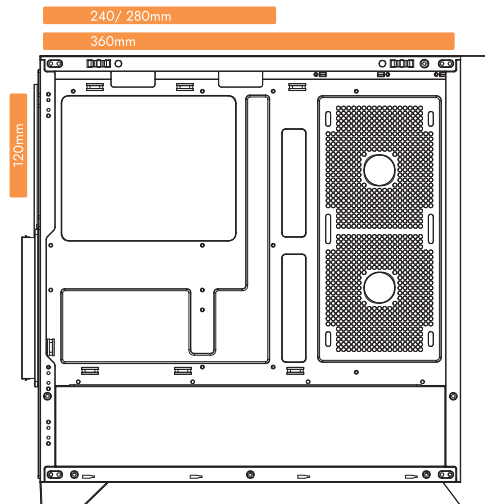
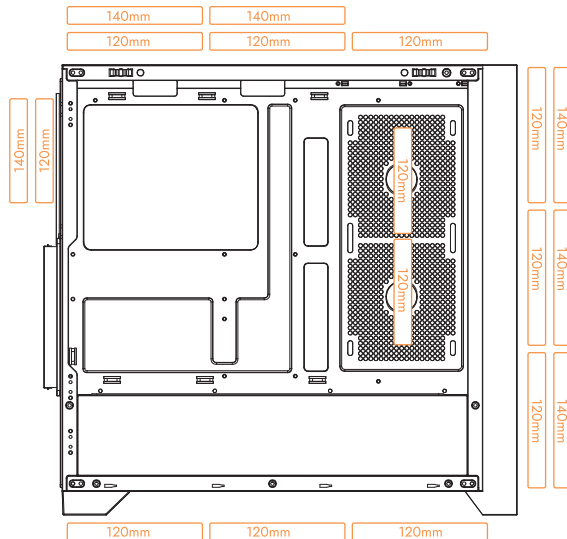
2.7 EXPANSION CARD INSTALLATION



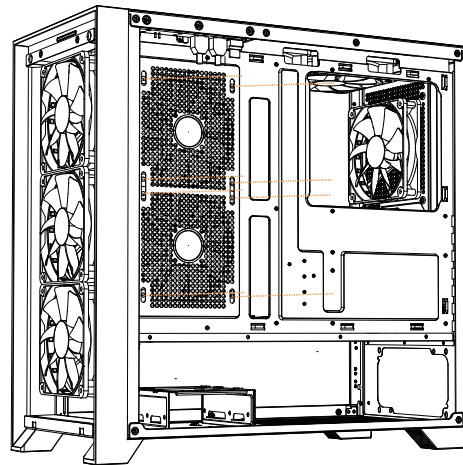
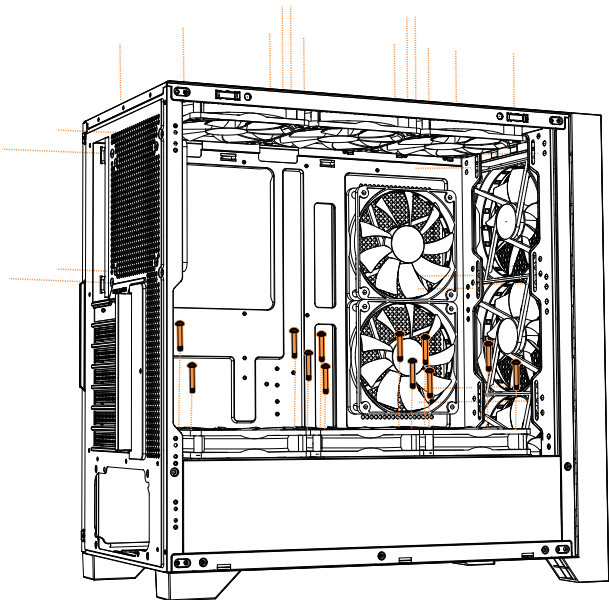
2.8 POWER SUPPLY INSTALLATION



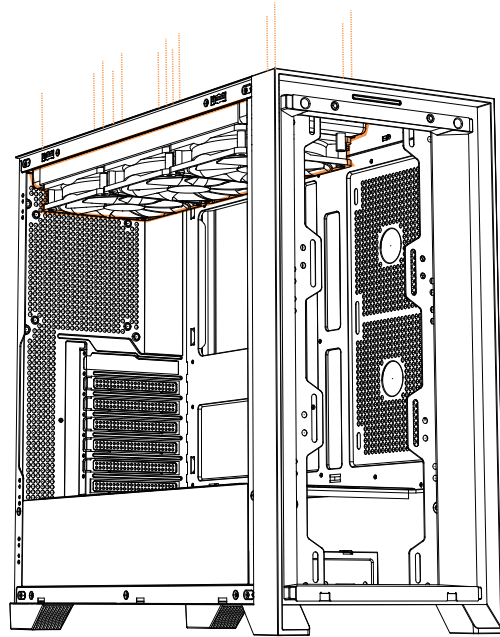
2.9 FAN AND RADIATOR ARE INSTALLED



2.10 FAN INSTALLED



2.11 RADIATOR INSTALLED





www.darkflash.com

Fly to unlimited!

 **darkFlash**

DARKFLASH INFOTECH CO., LTD.
www.darkflash.com

 facebook.com/darkFlash.global/

 instagram.com/darkflash_official/

 [darkflash_official](https://youtube.com/darkflash_official)