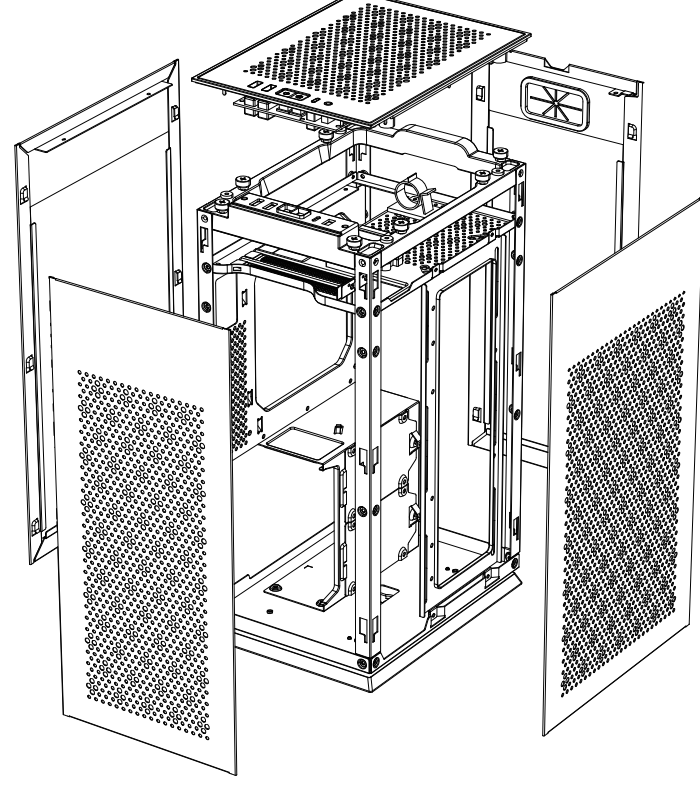




DLH 21

DARKFLASH LUXURY ITX CHASSIS

Performance / Simple / Modern / Stylish

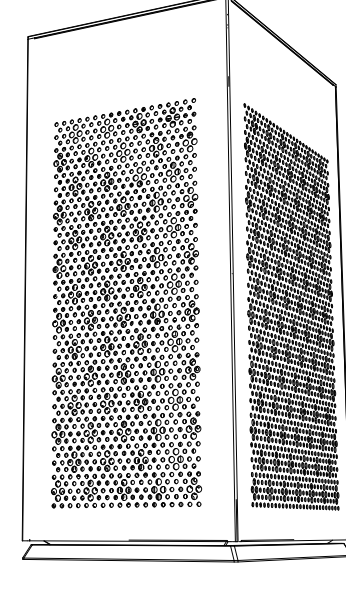


INSTALLATION GUIDE

SPECIFICATIONS

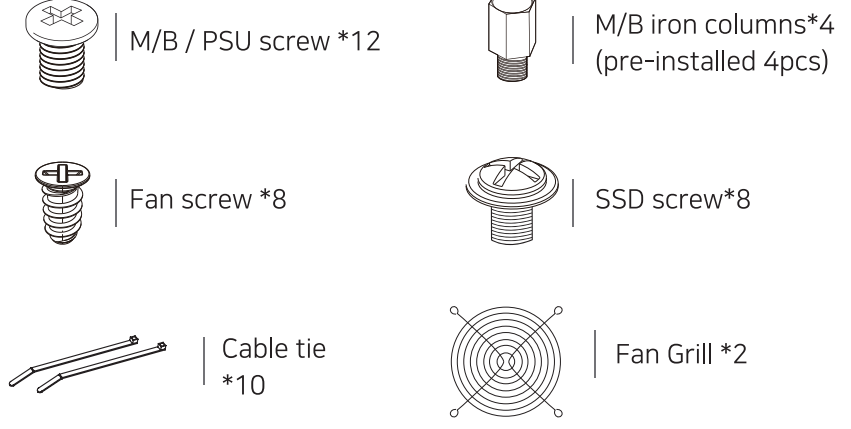
| | |
|-----------------|--|
| Model Name | darkFlash DLH21 |
| Color | Black / White / Pink / Neo Mint |
| Steel Thickness | Chassis : 0.8mm SPCC |
| Motherboards | mini-ITX |
| Case Dimensions | 238.8*175*412mm |
| 3.5" Drive Bays | H.D.D* 1 PCS |
| 2.5" Drive Bays | S.S.D* 2 PCS |
| Expansion Slots | 2 Slots |
| GPU Clearance | VGA card : 320*147*61mm(max) |
| CPU Clearance | CPU radiator : 134mm height(max) |
| Radiator System | Side : 120/240mm water-cooling |
| Fan Support | Side : 120mm*2 Top : 92mm*1 |
| I/O Ports | TYPE-C / USB3.0 / HD Audio |
| Power Supply | Power/ LED switch SFX/ SFX-L(125mm) |

DLH 21 DARKFLASH LUXURY ITX CHASSIS



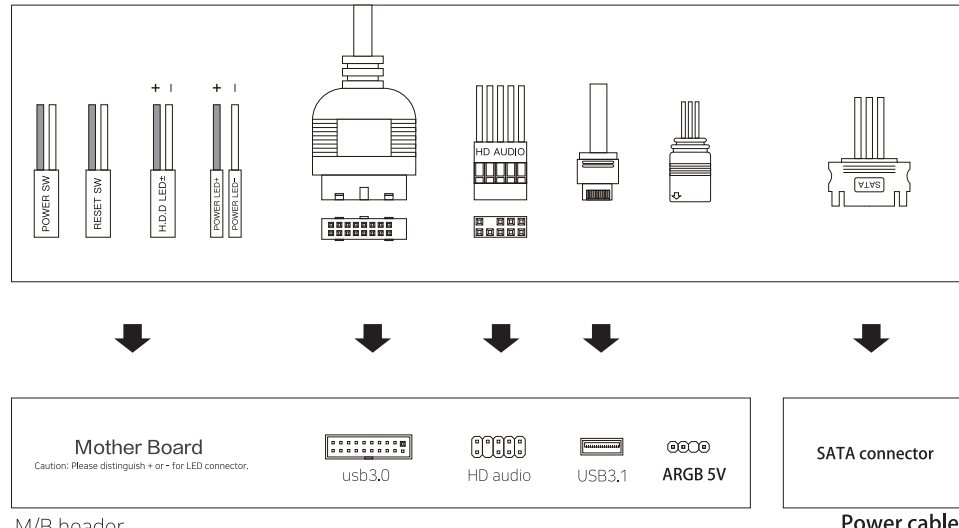
- A: Accessory pack
- B: Cables
- C: I/O ports
- D: Overview
- E: Disassembly
- F: M/B installation
- G: PSU installation
- H: SSD installation
- I: VGA installation
- J: Cooling fan installation
- K: Water cooler installation

A

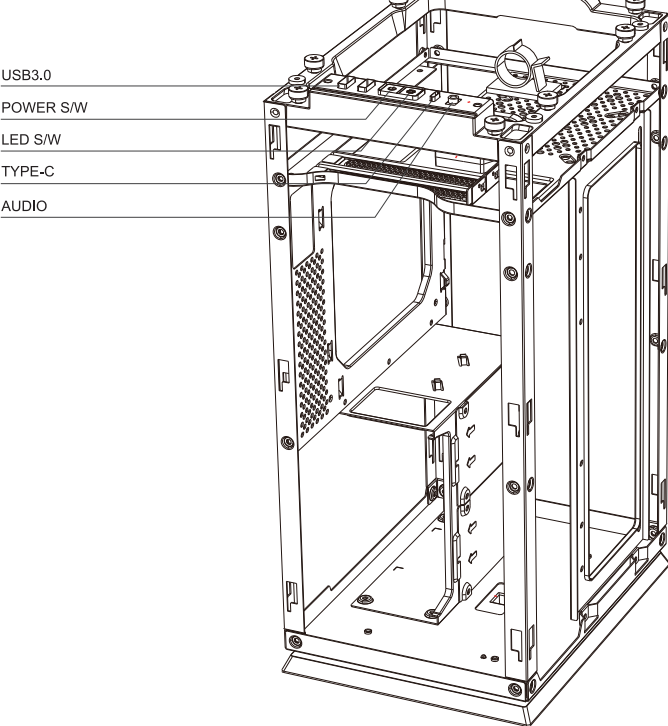


B

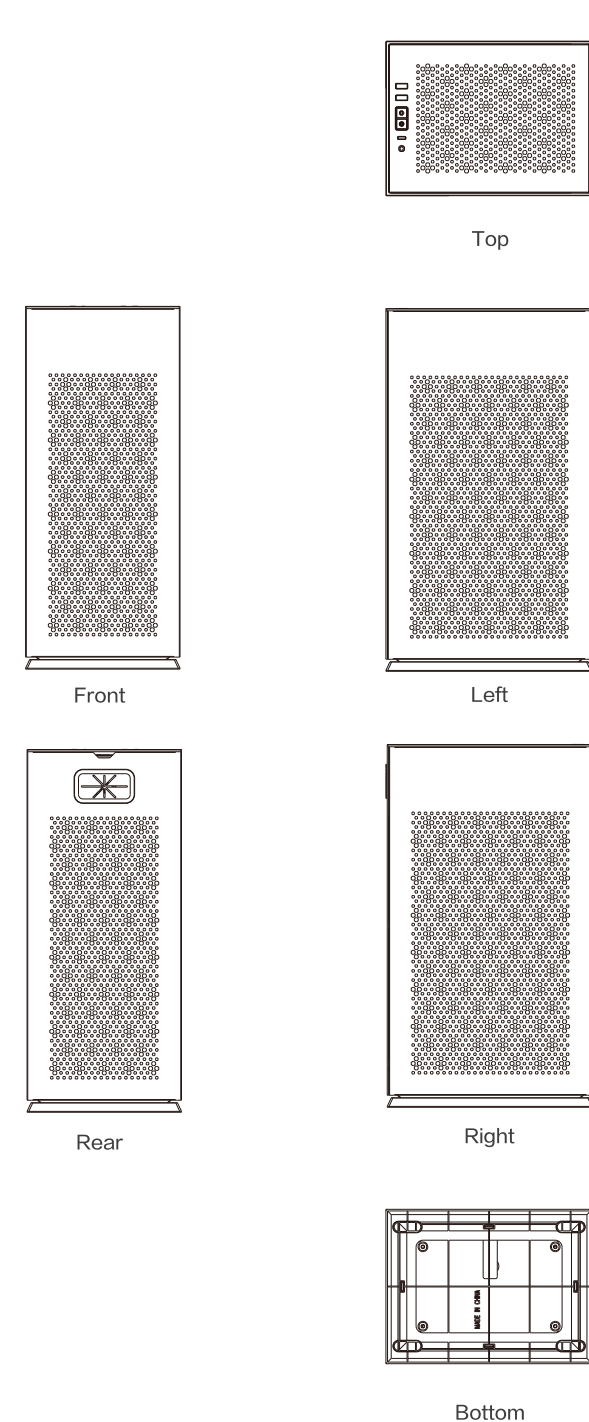
Case cables connector



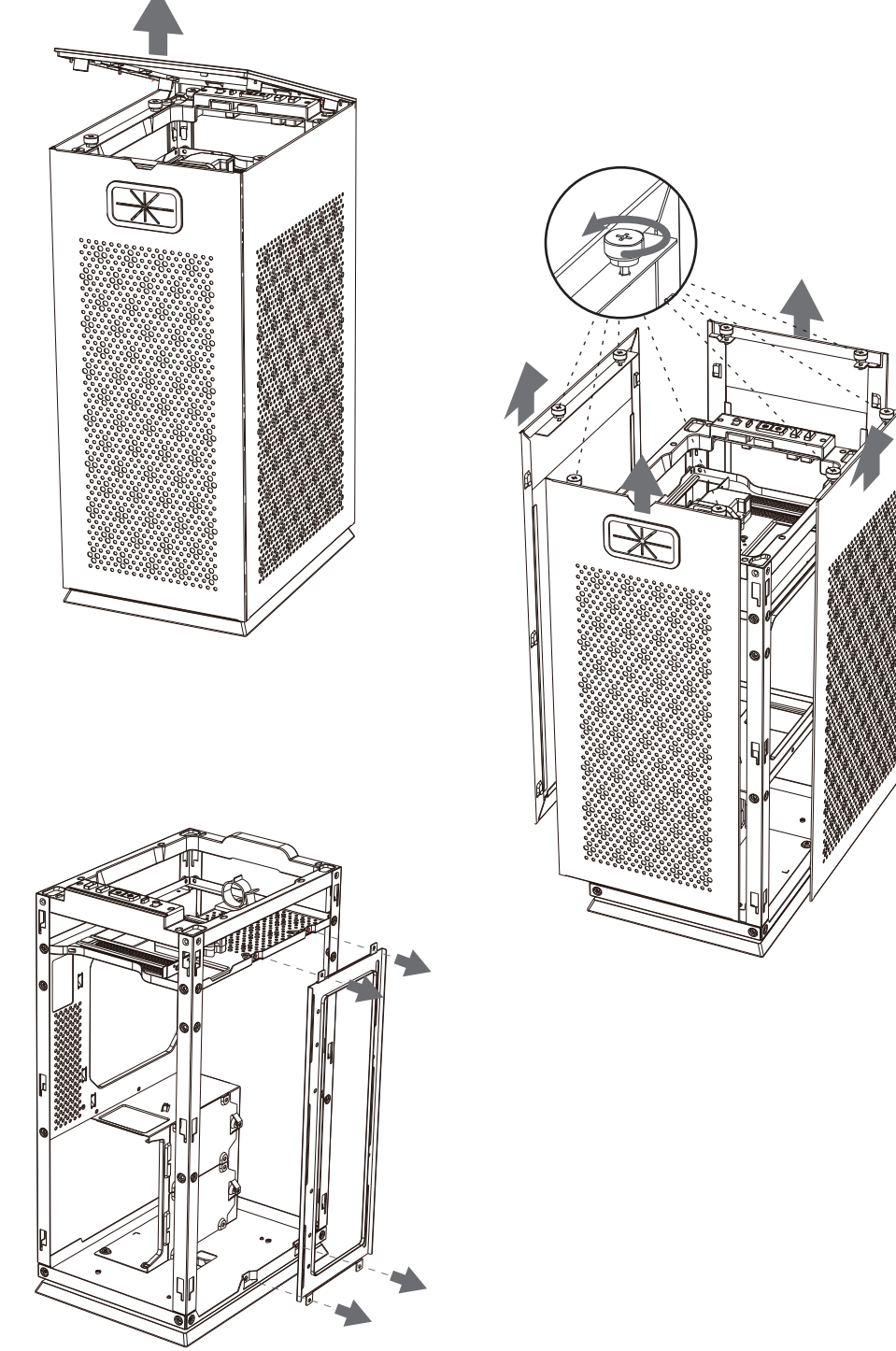
C



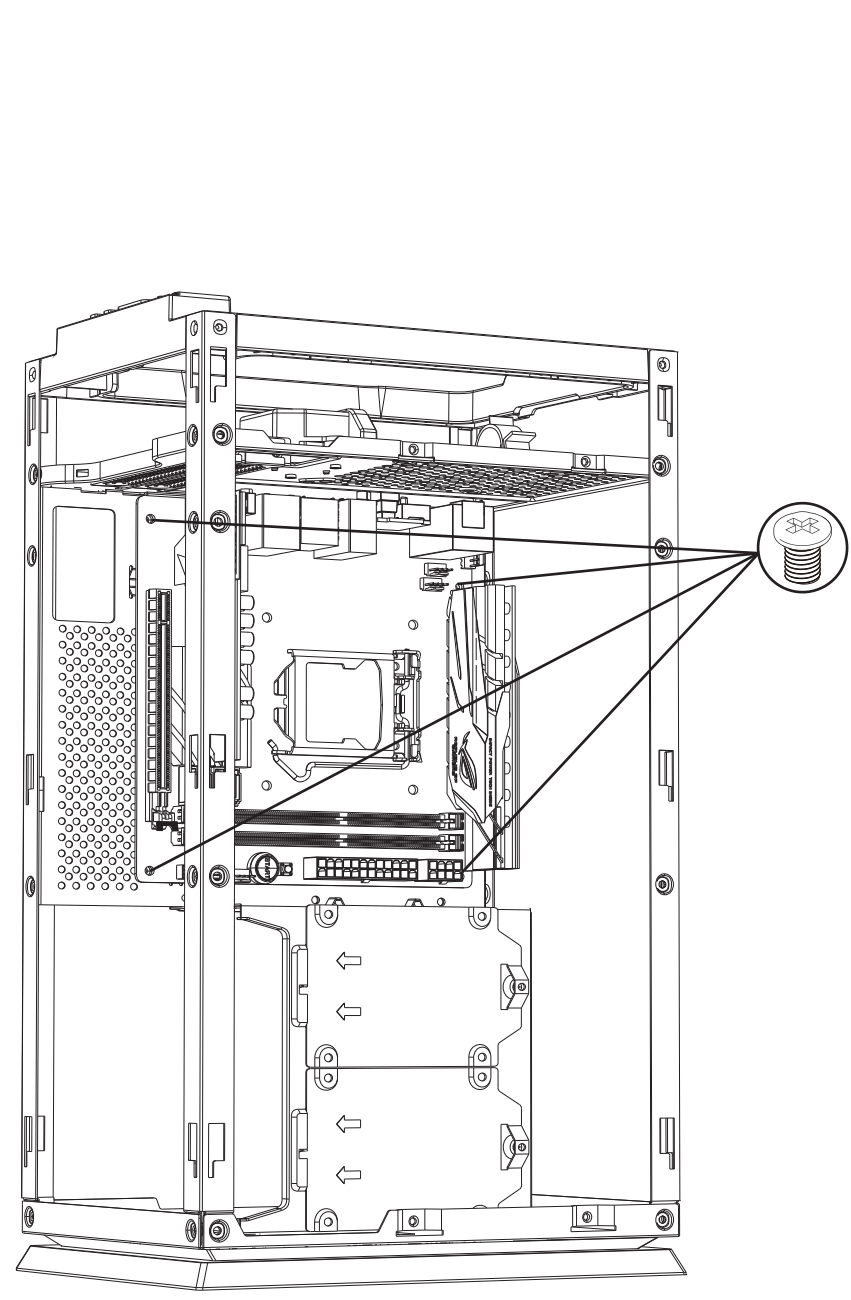
D



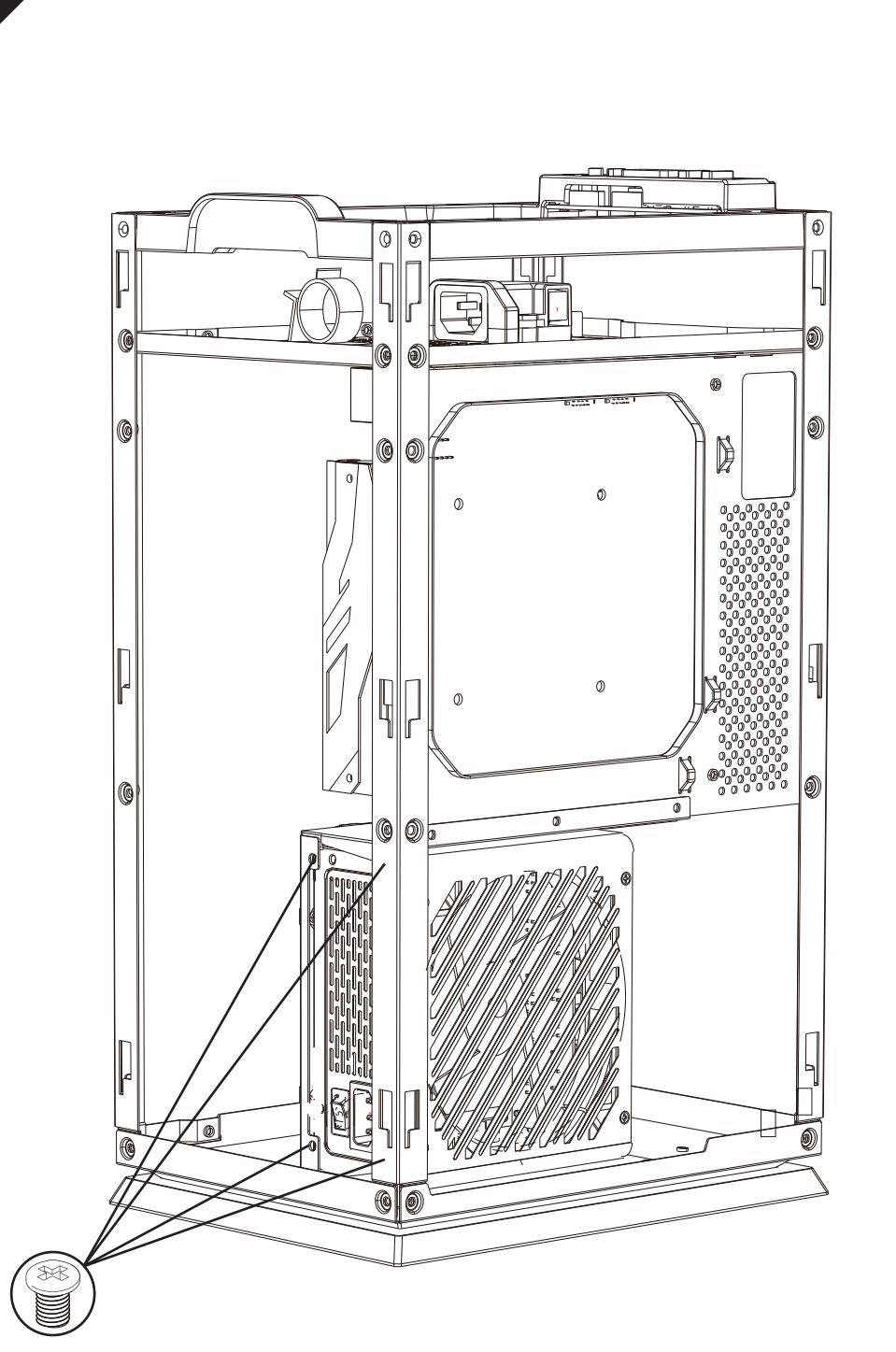
E



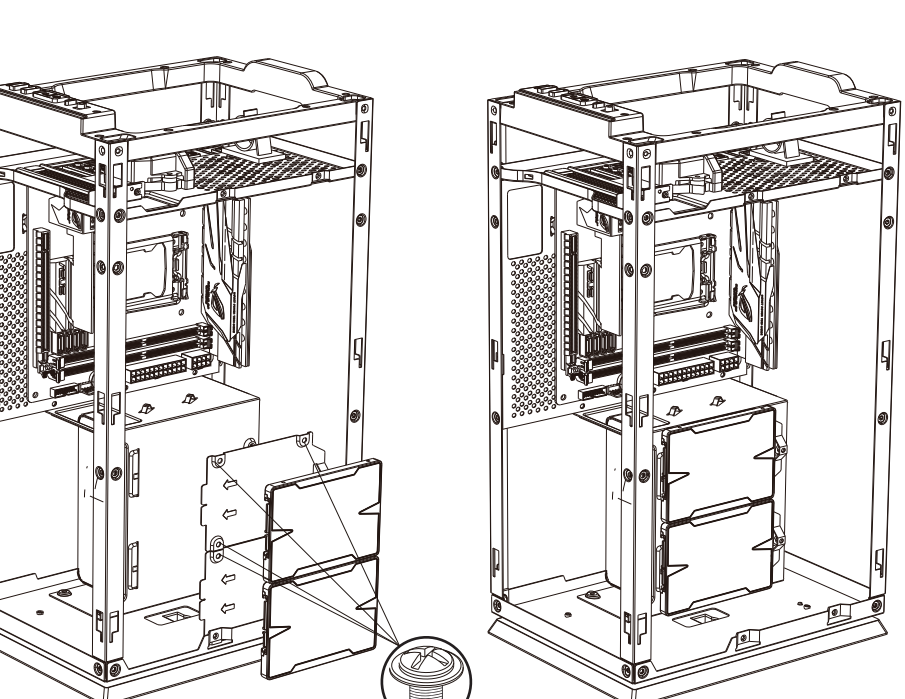
F



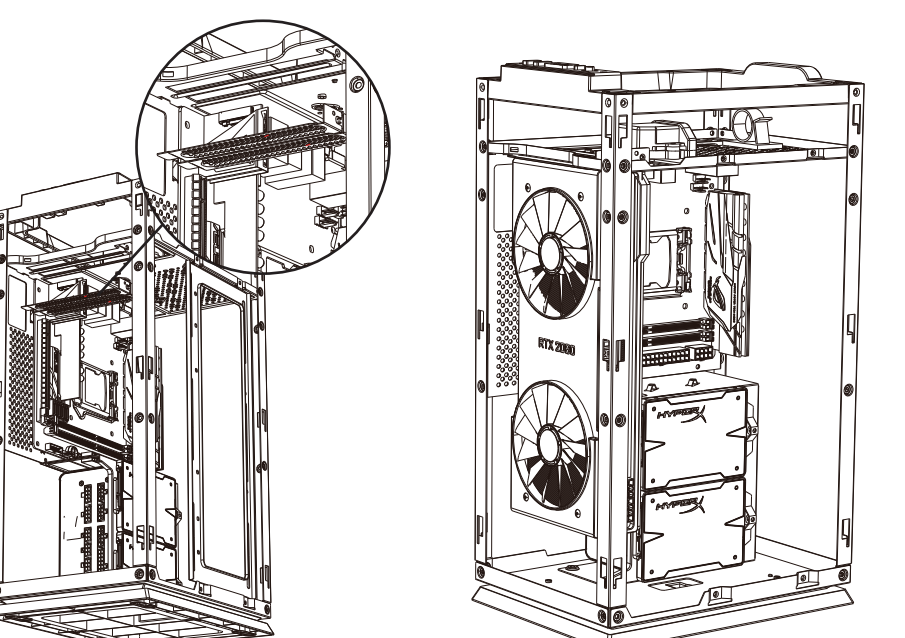
G



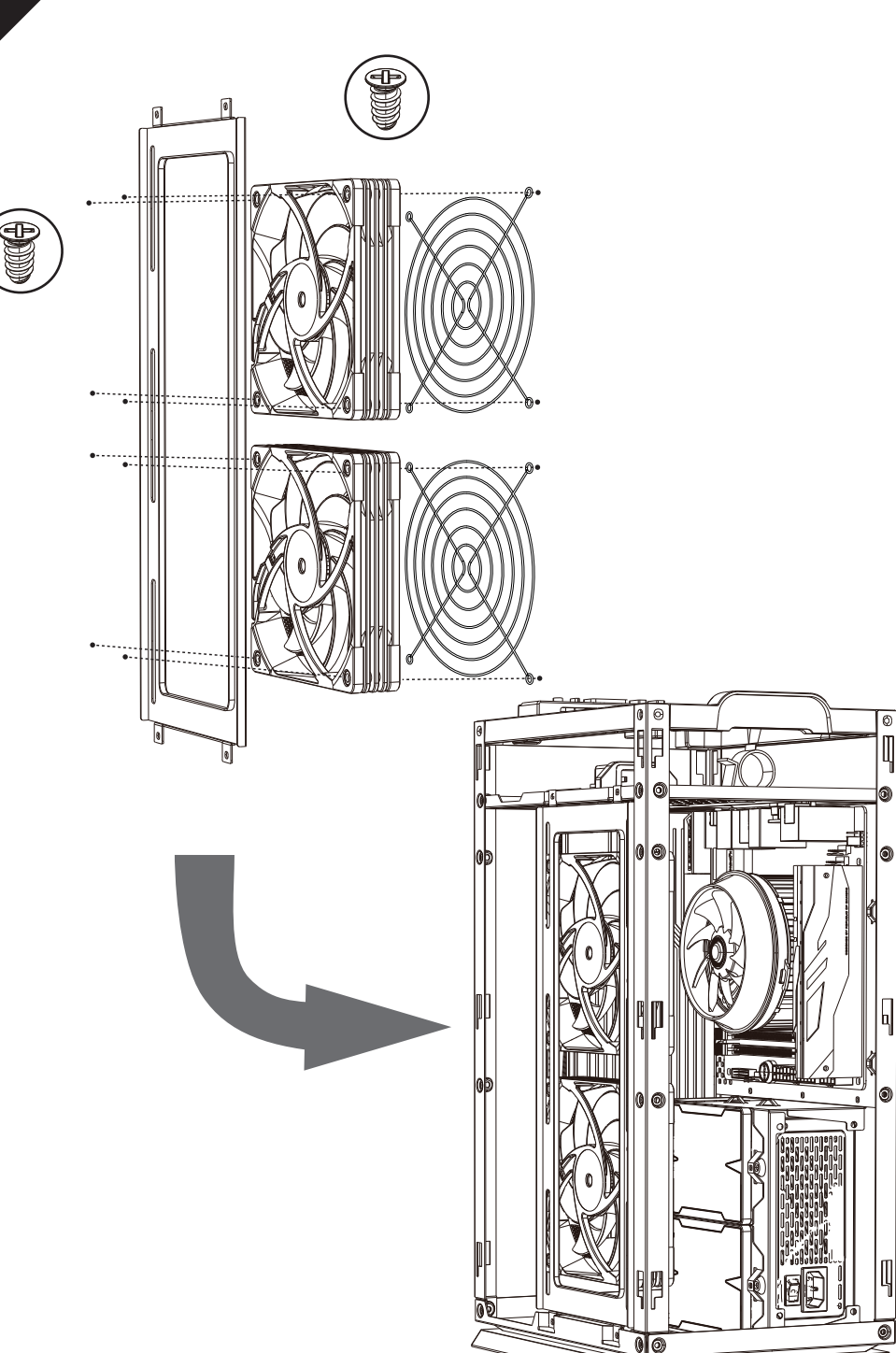
H



I



J



K

