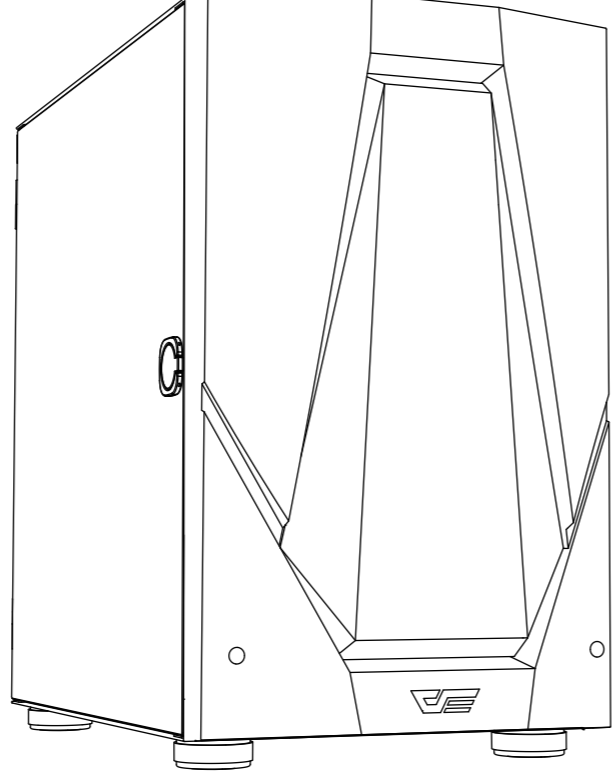


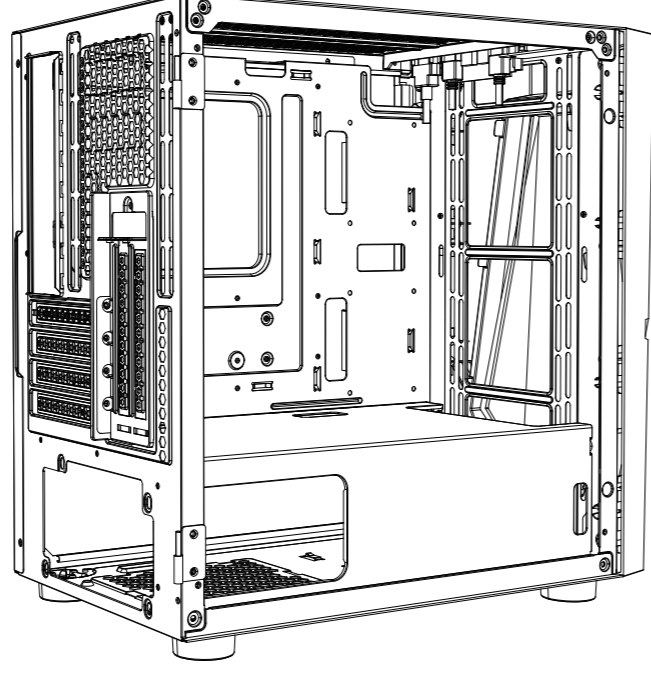


DLM24

LUXURY MIDDLE TOWER
HINGED SIDE GLASS - GAMING CASE



INSTALLATION GUIDE

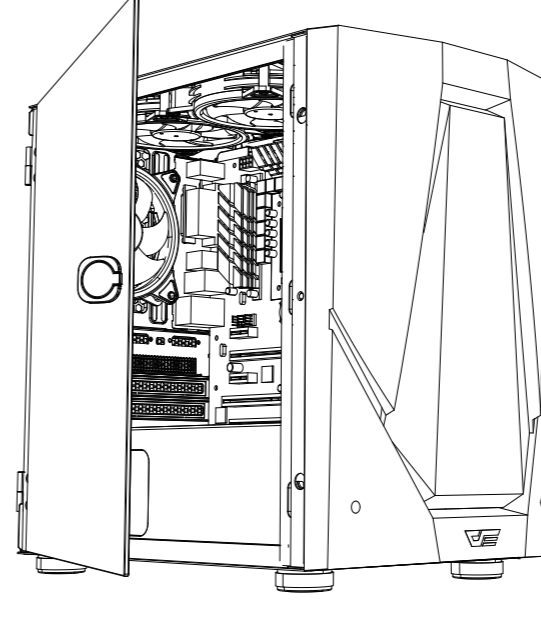


SPECIFICATIONS

Case Type	Micro-ATX
Material	0.6mm
Motherboard	micro-ATX / ITX
Case Size	350*230*375mm(W*H*D)
Carton Size	430*280*465mm(W*H*D)
HDD	2
SSD	2
PCI Slots	4
Max. VGA Length	340mm
Max. CPU Height	190mm
I/O	Power / Reset / USB3.0*1 / USB2.0*2 / HD AUDIO

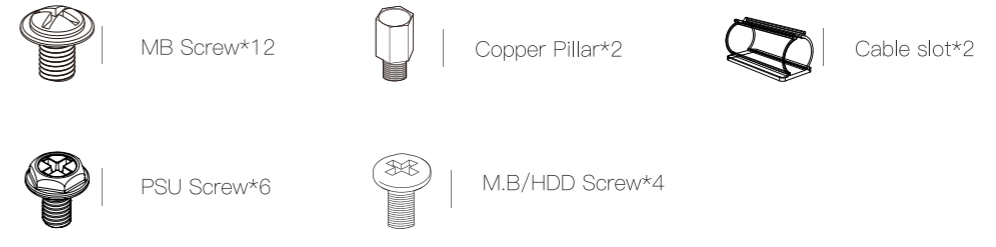


DLM24 HINGED SIDE GLASS - GAMING CASE
LUXURY MIDDLE TOWER

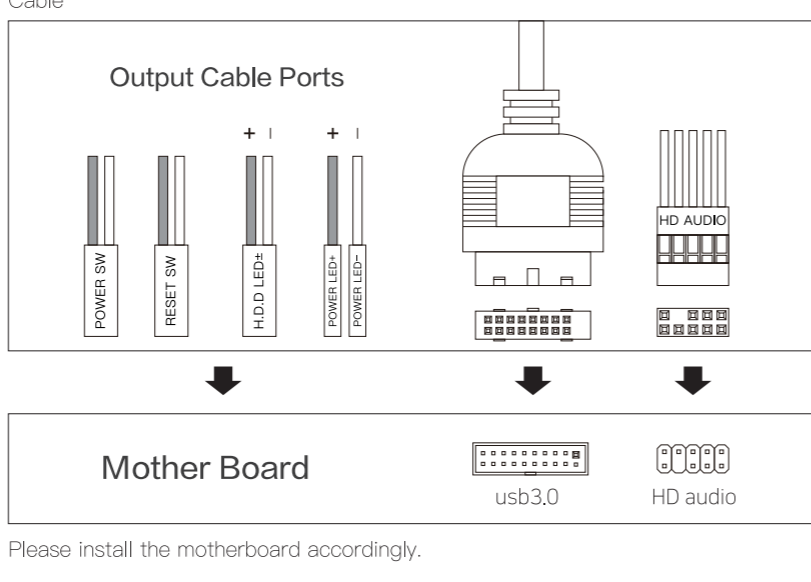


- A. Accessory Bag
- B. Cable
- C. I/O Interface
- D. Hex-wision Pictures
- E. Pre-Build Preparation
- F. Power Supply Installation
- G. Motherboard Installation
- H. VGA Installation
- I. Fan/Cooling Installation
- J. Hard Drive Installation

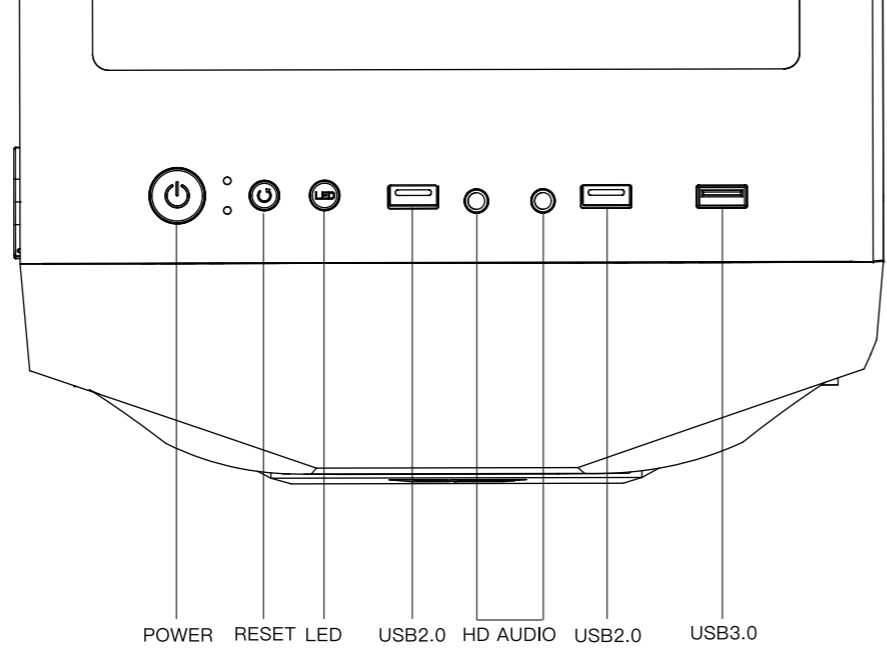
A



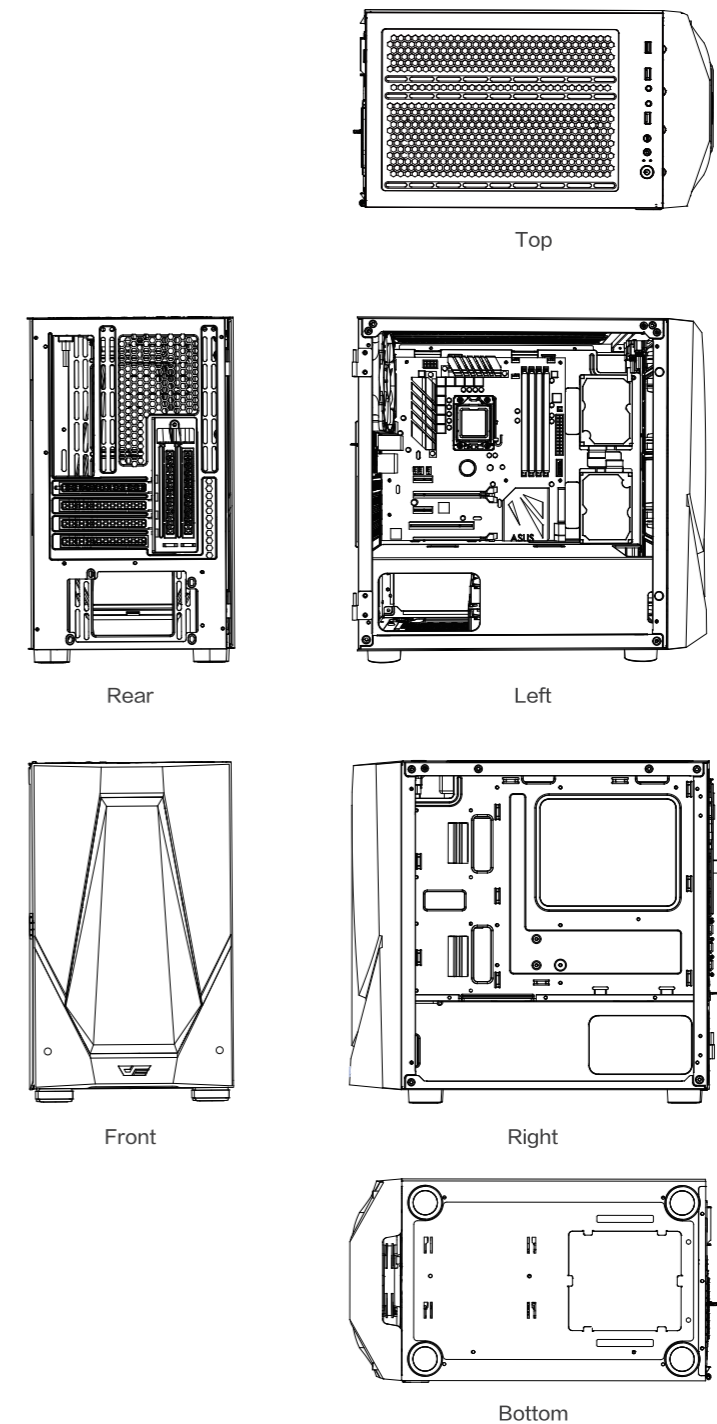
B



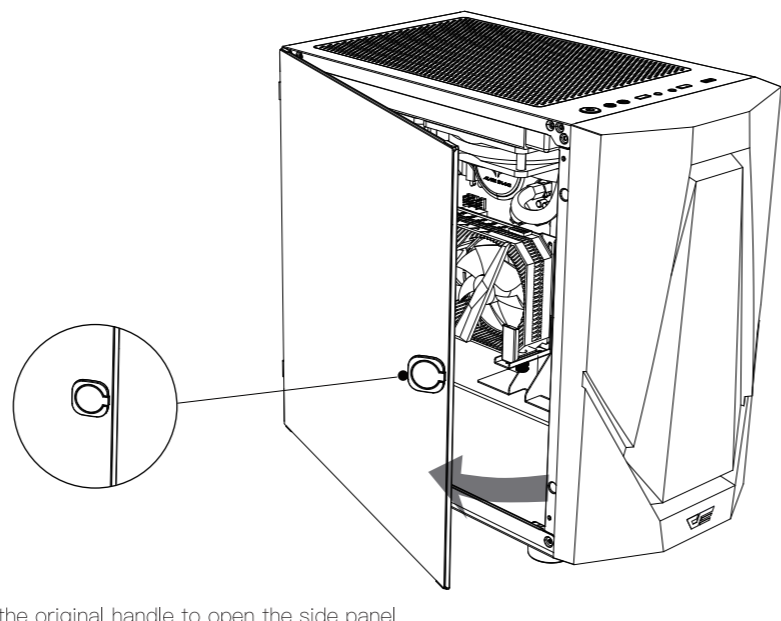
C



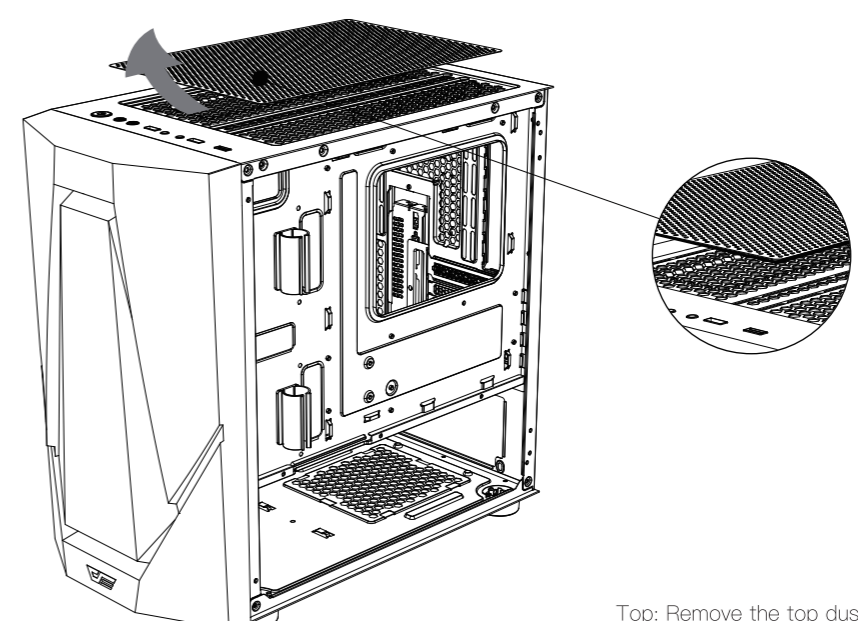
D



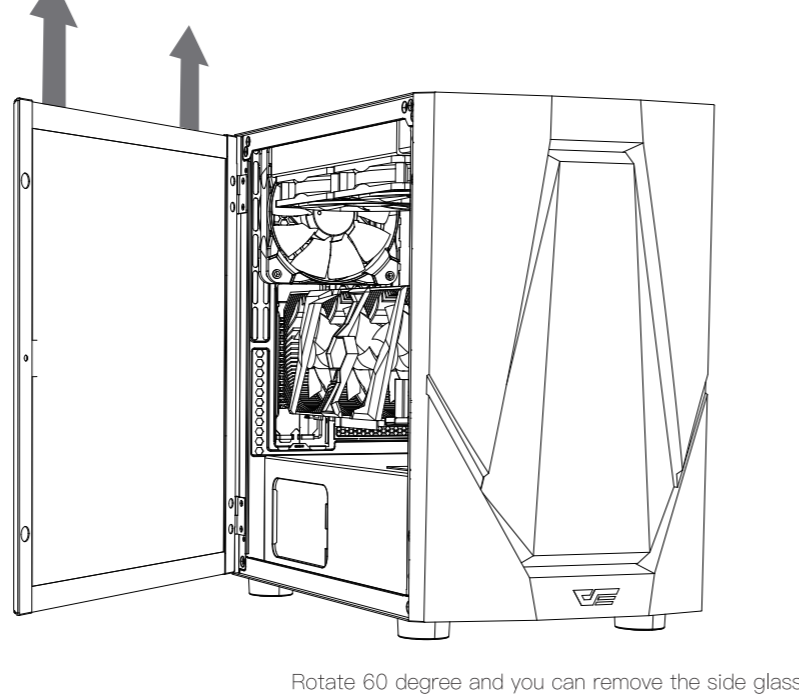
E



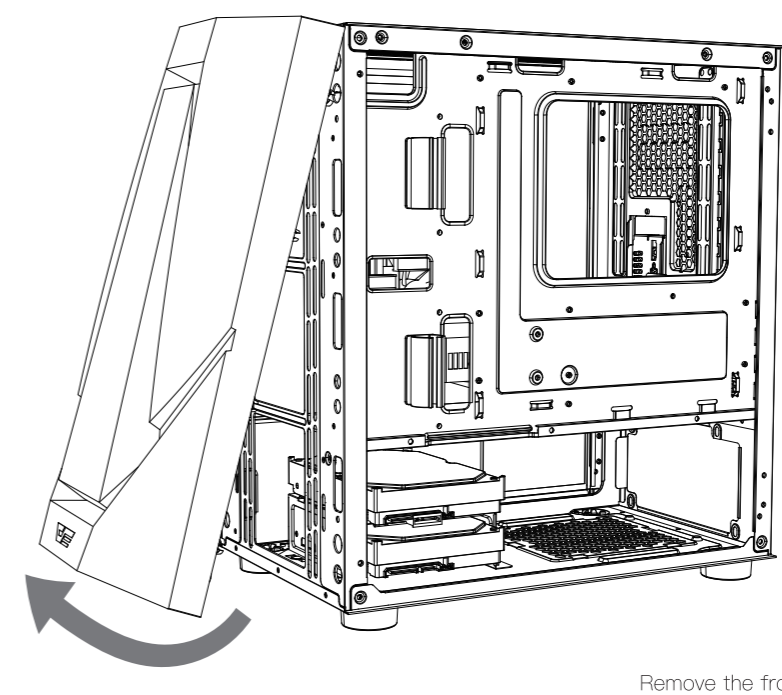
E



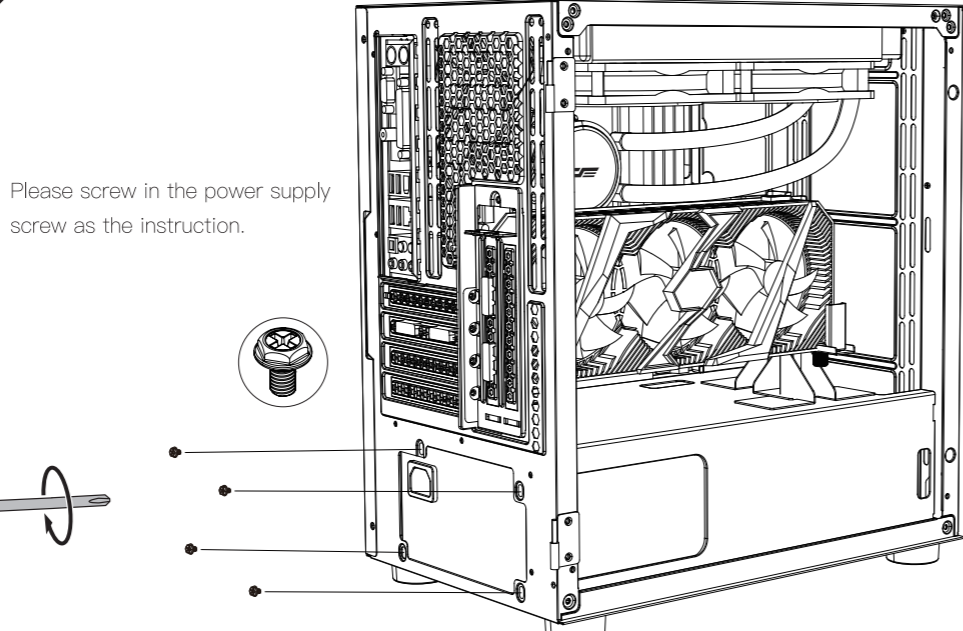
E



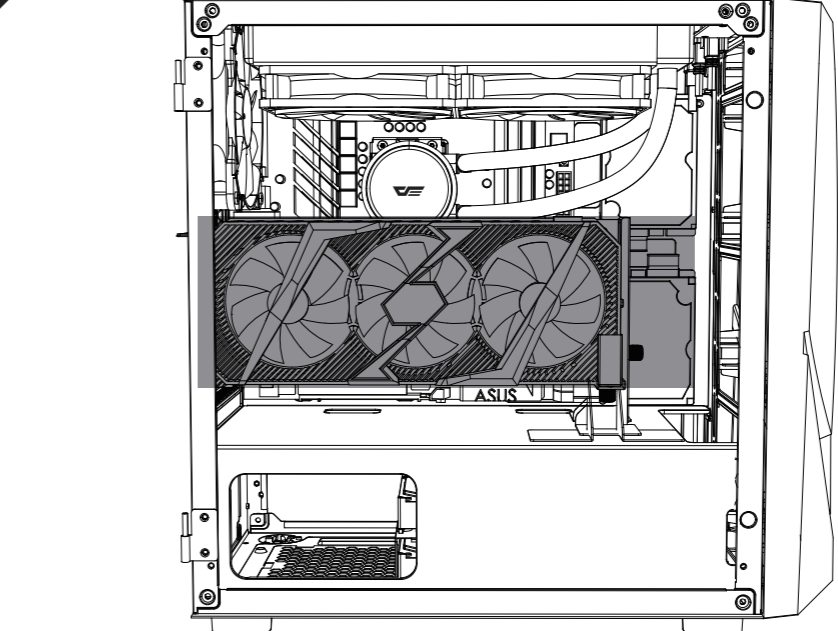
E



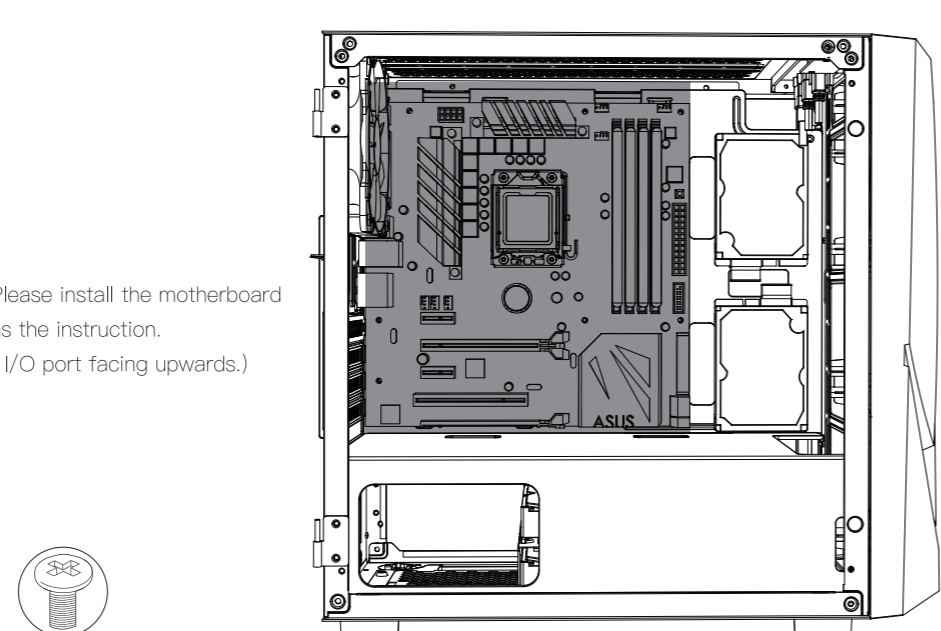
F



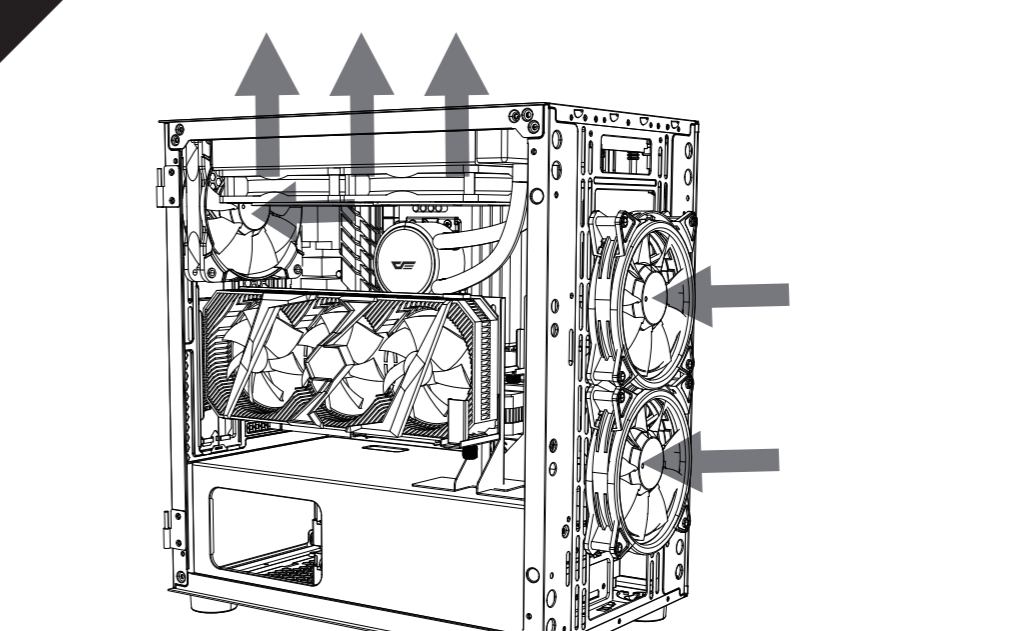
H



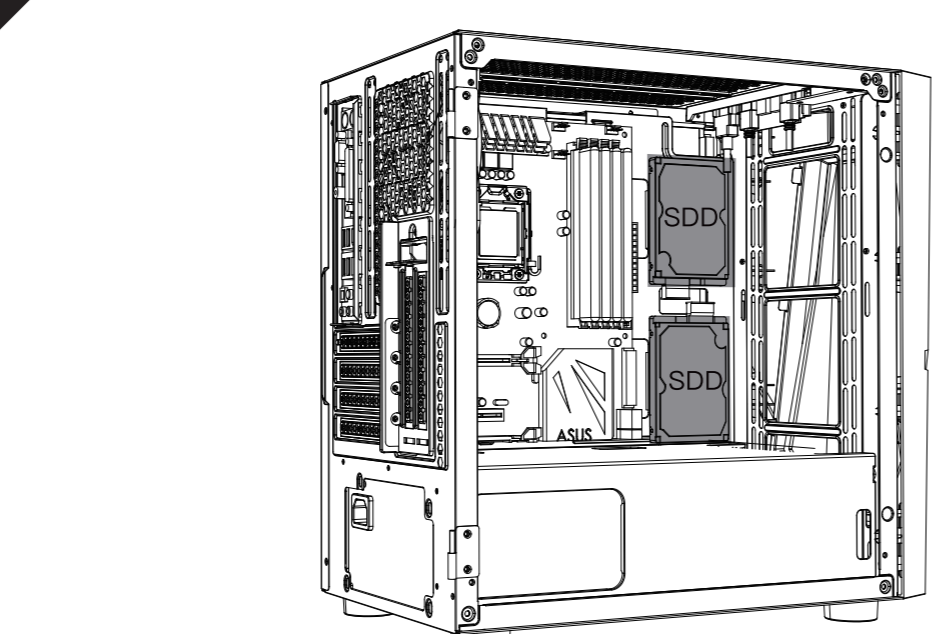
G



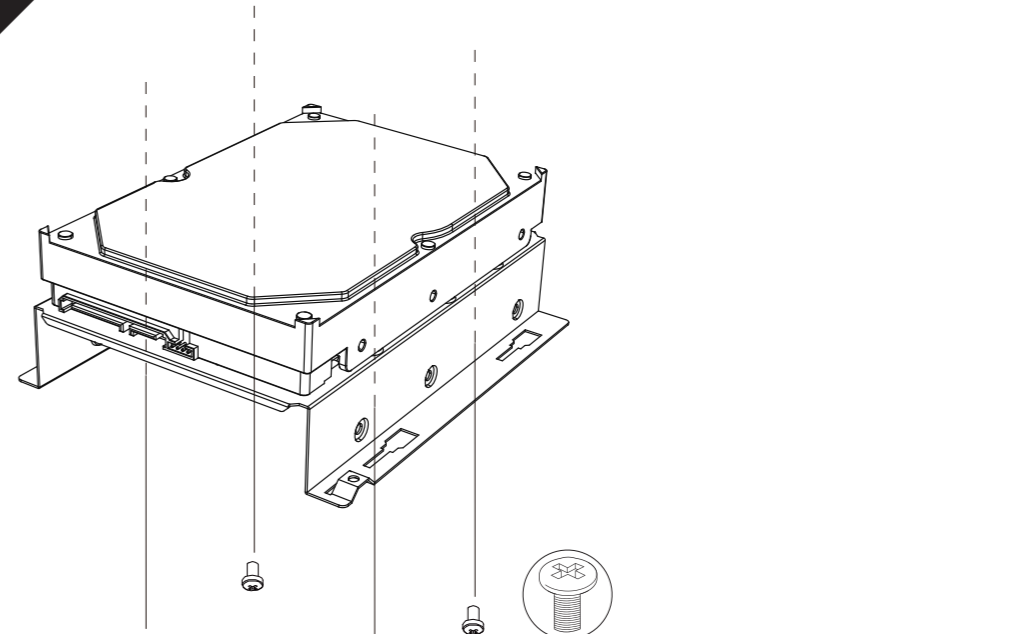
I



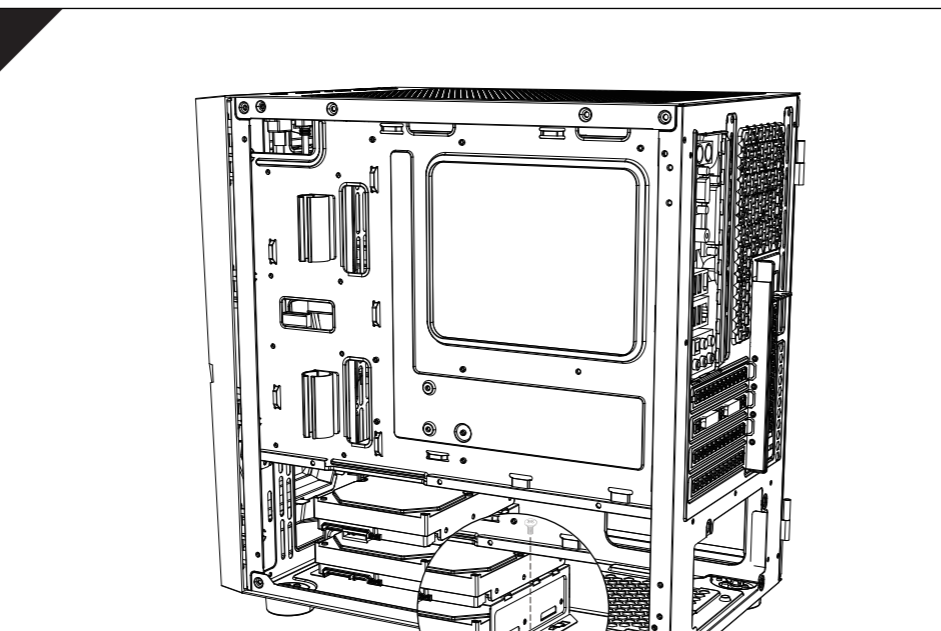
J



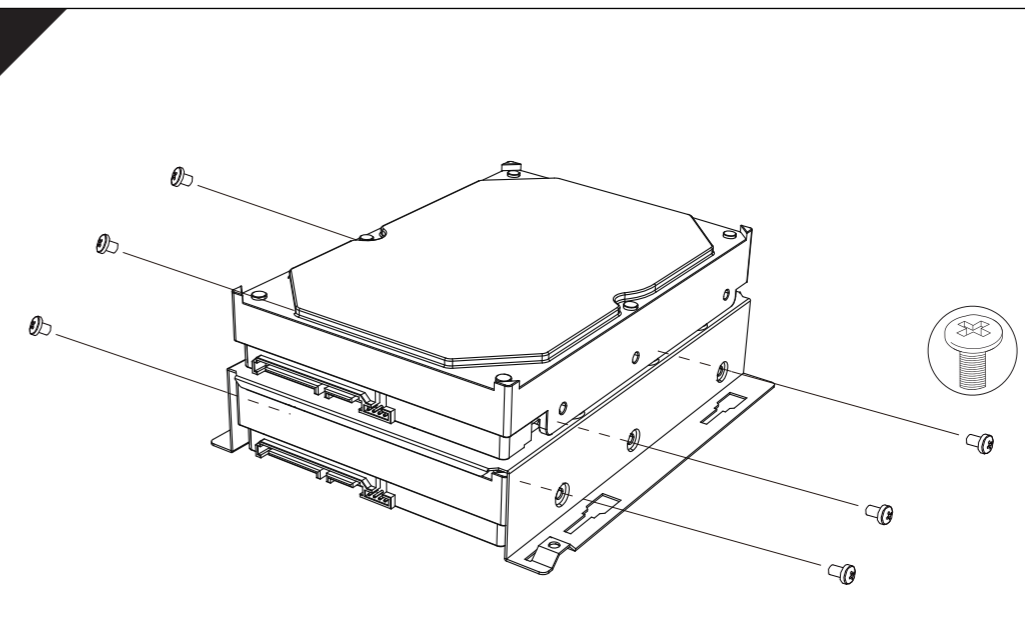
J



J



J



www.darkflash.com

Fly to unlimited!



DARKFLASH INFOTECH CO., LTD.
www.darkflash.com