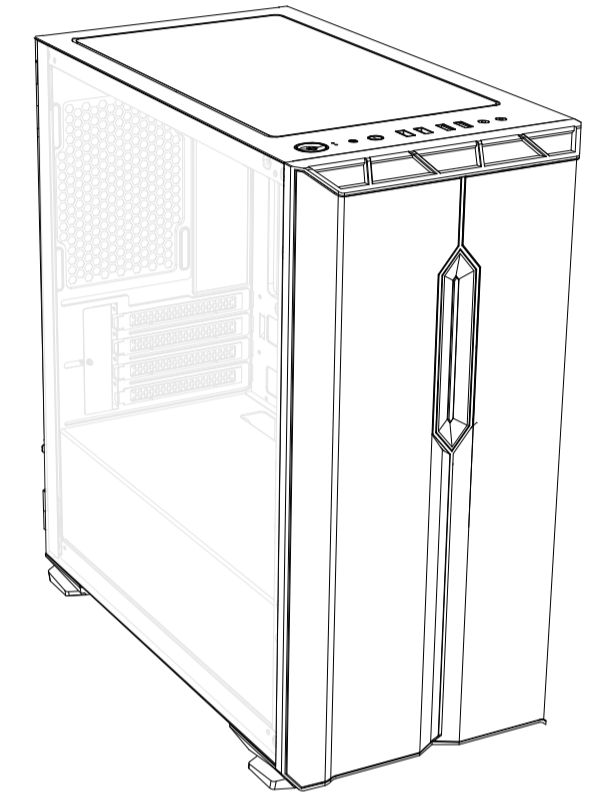
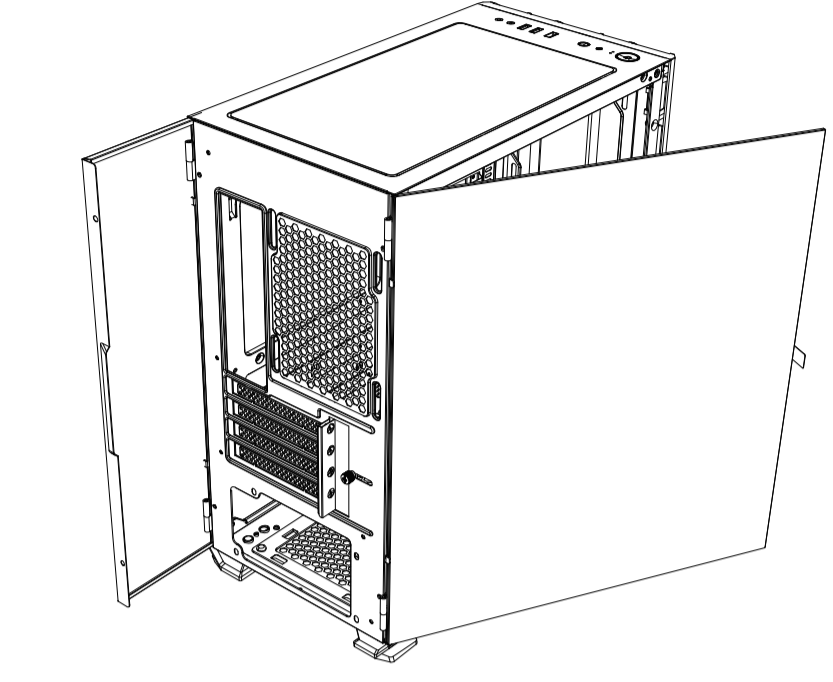


DLM 23

DOOR OPENING OF TEMPERED GLASS
LUXURY M-ATX CHASSIS



INSTALLATION GUIDE

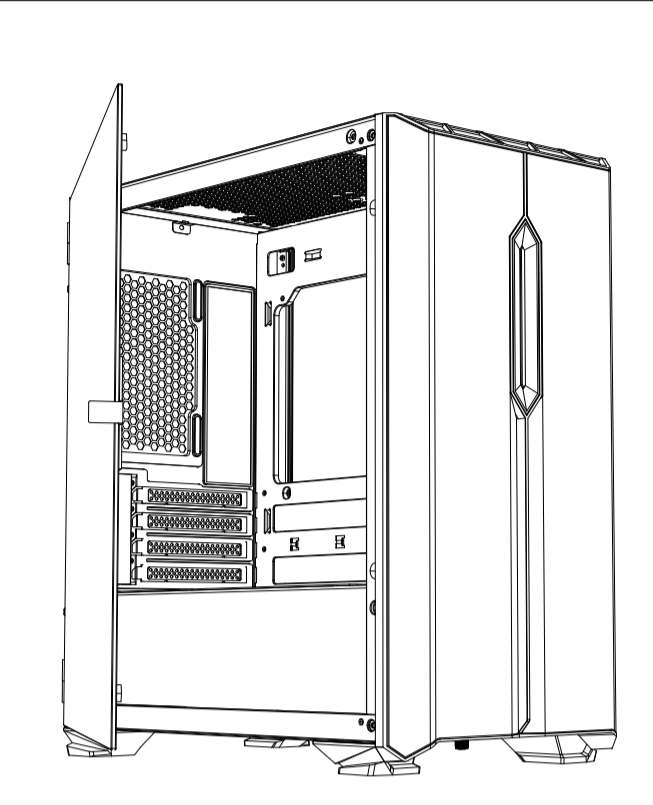


SPECIFICATIONS

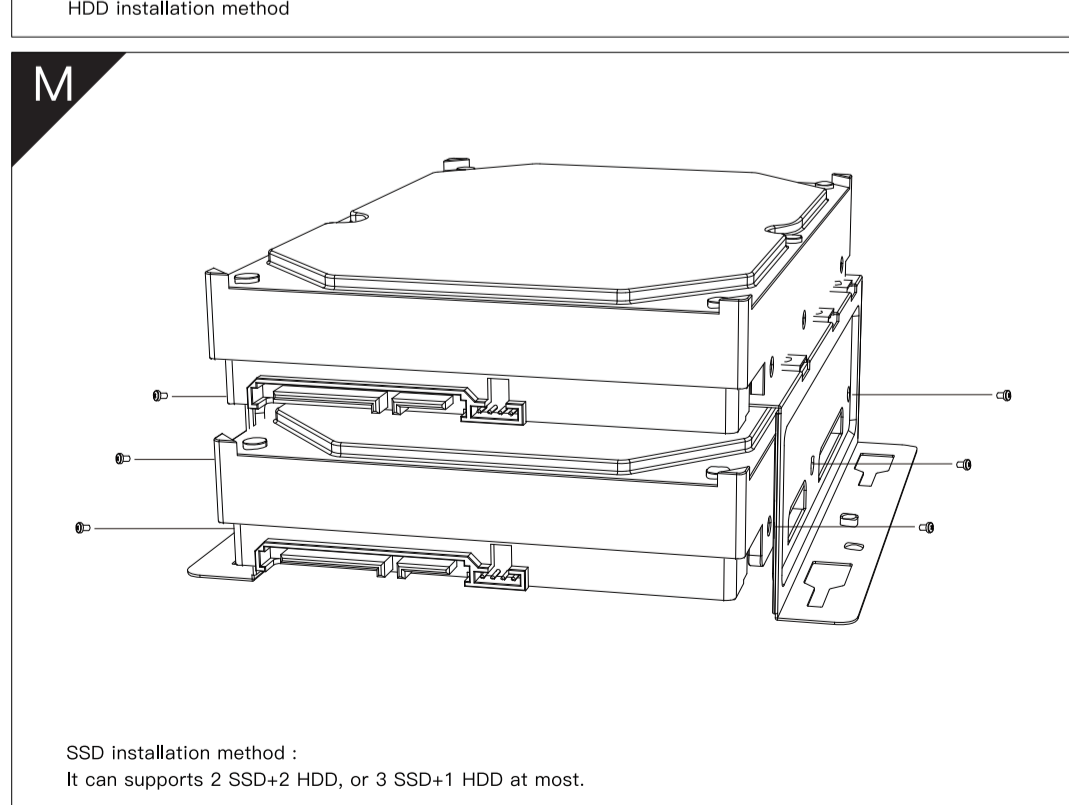
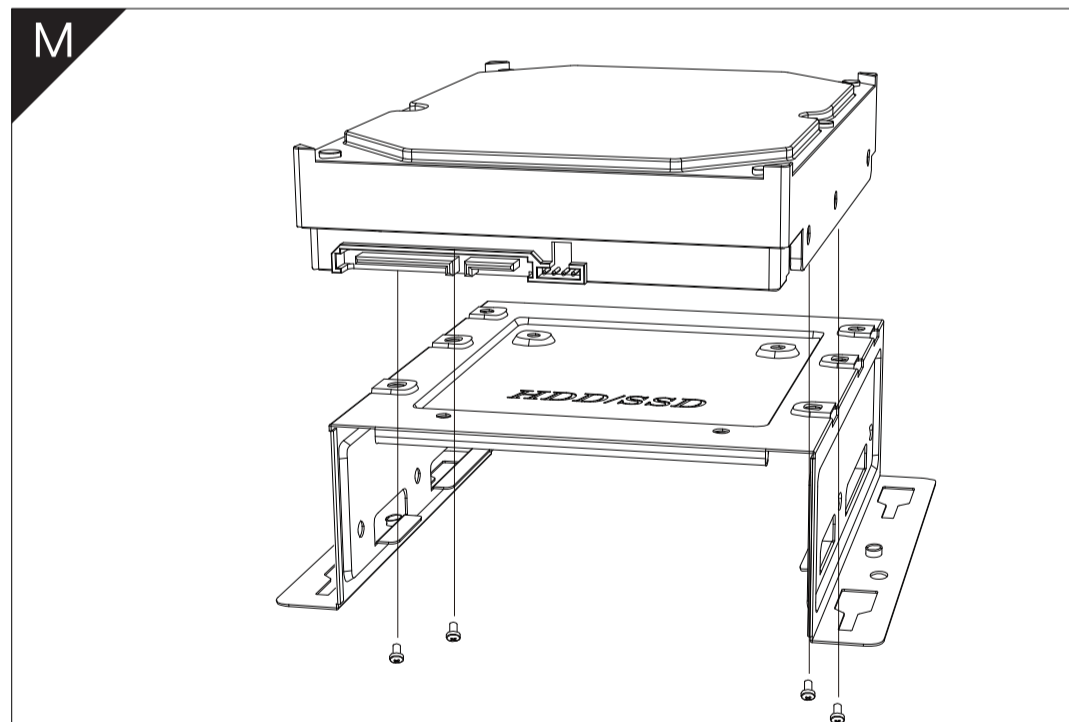
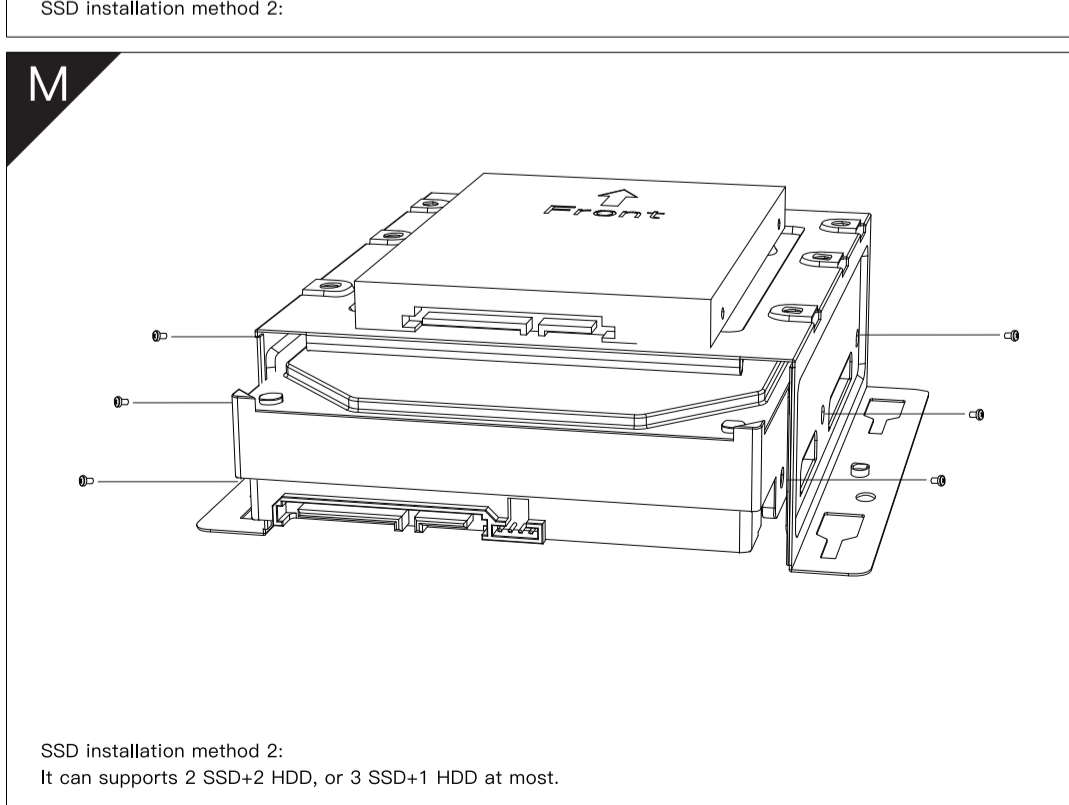
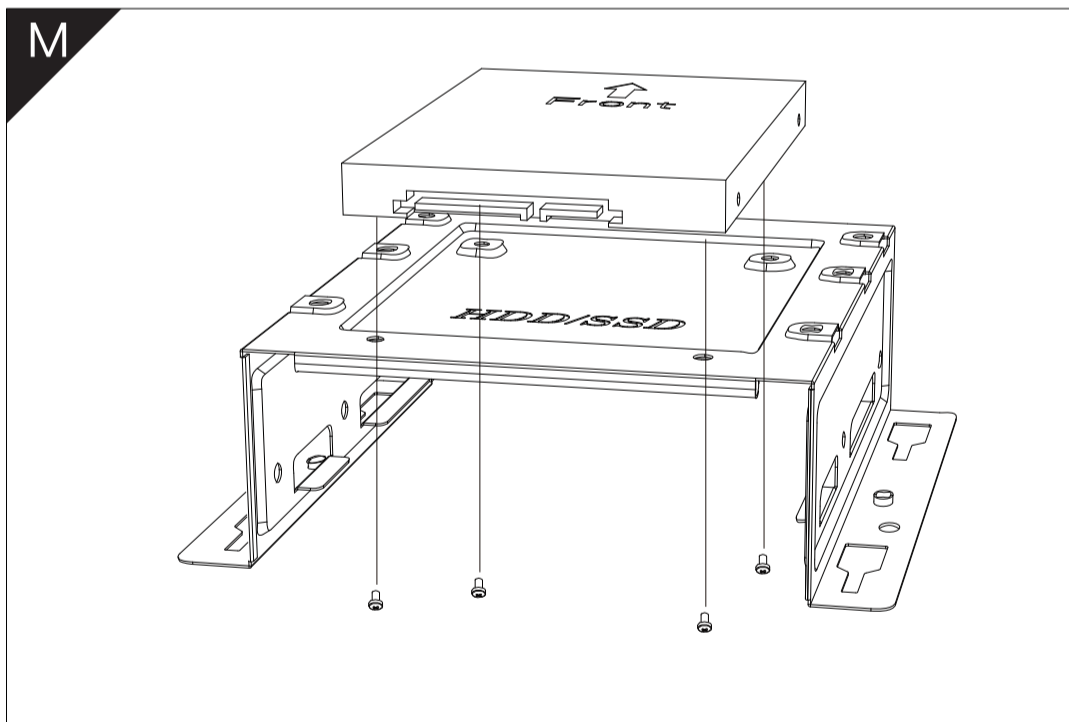
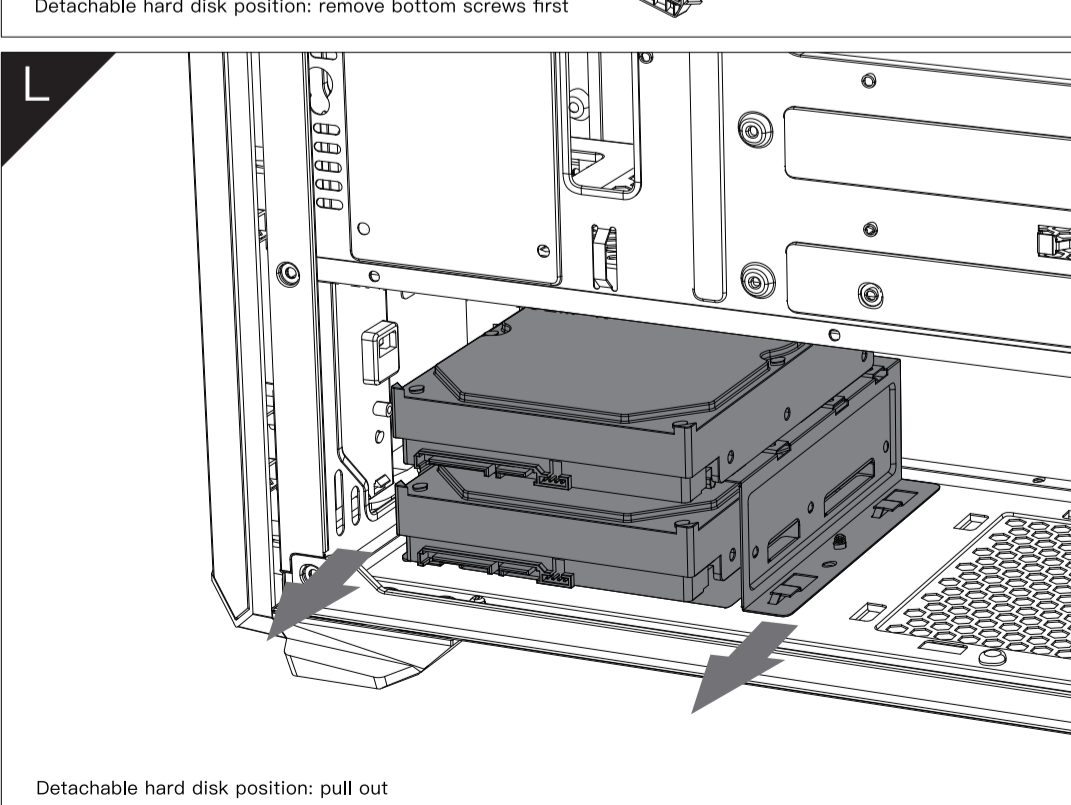
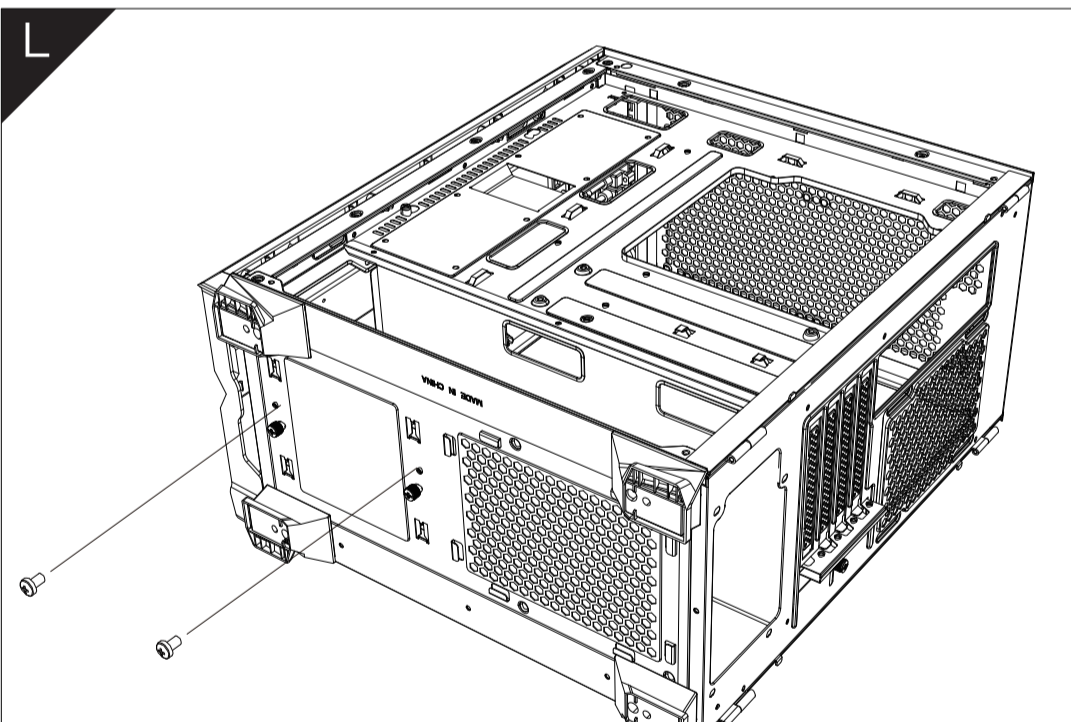
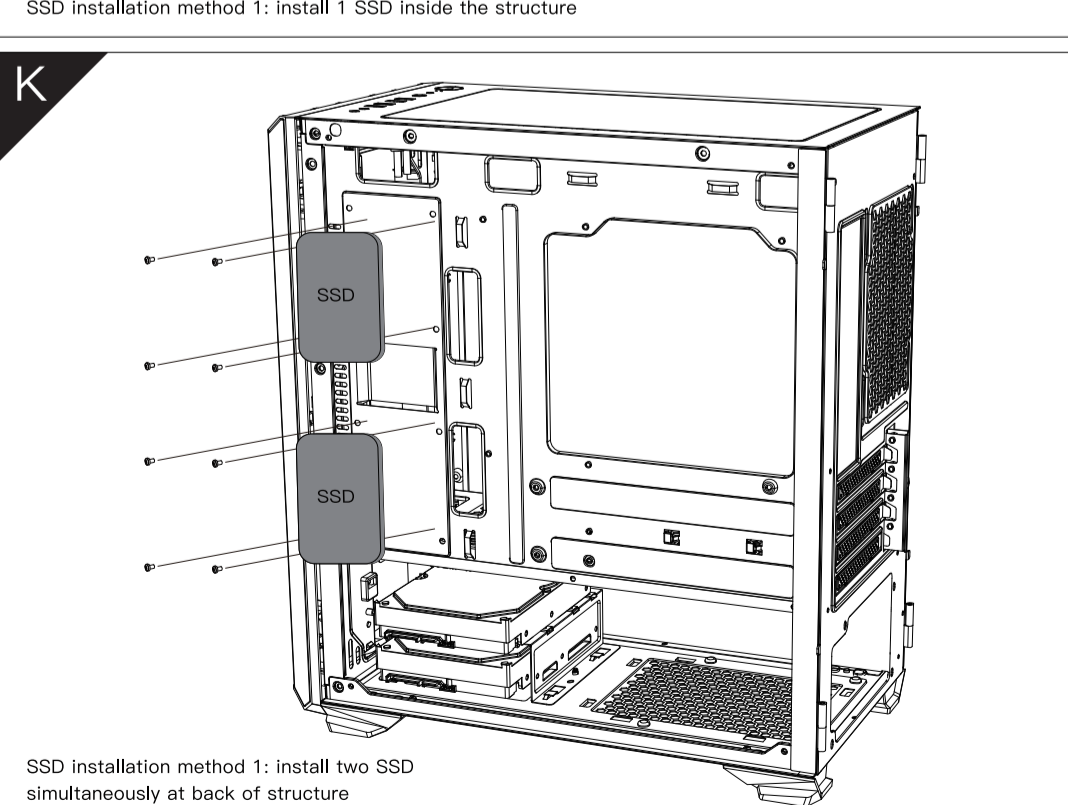
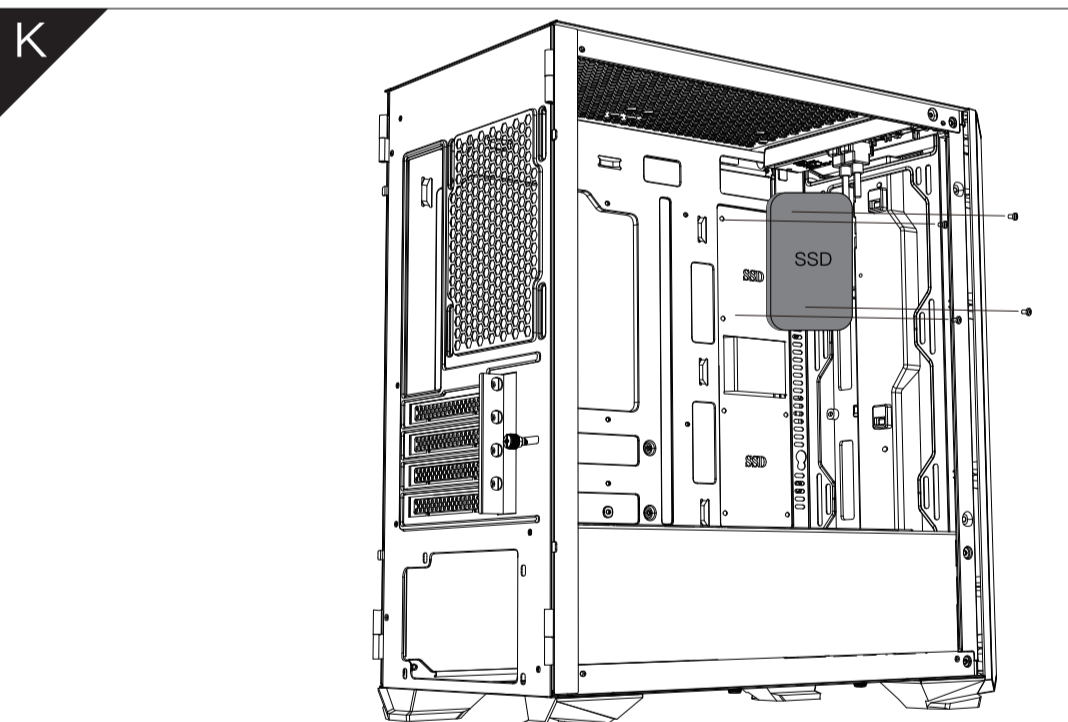
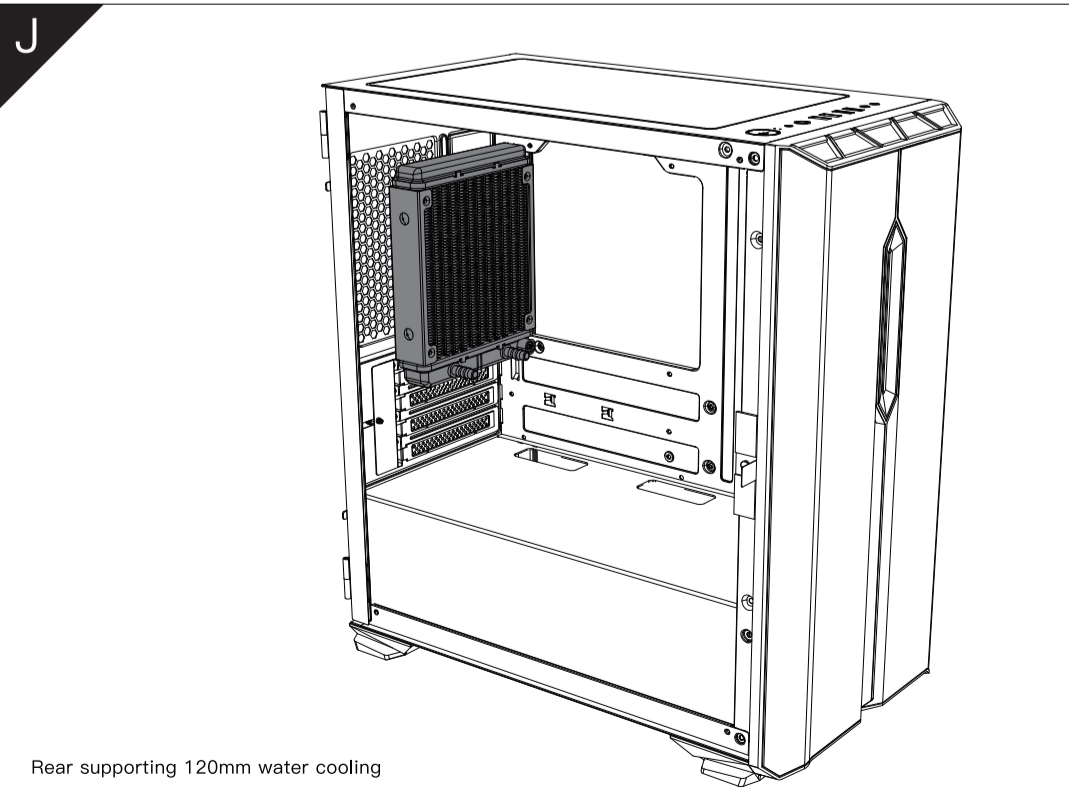
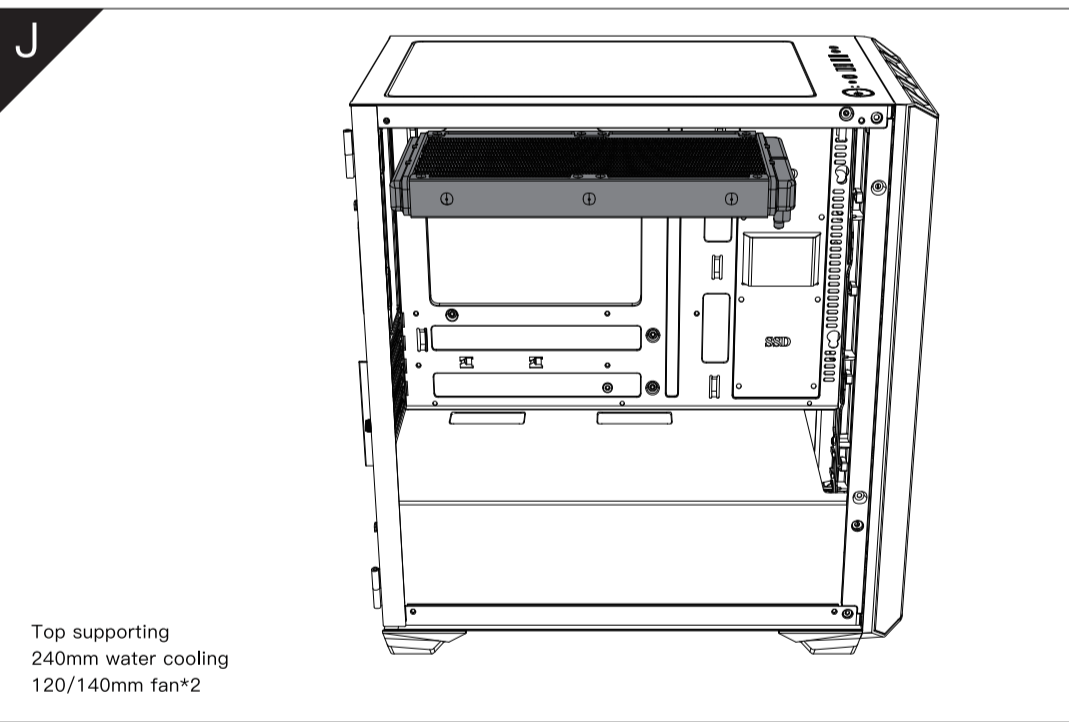
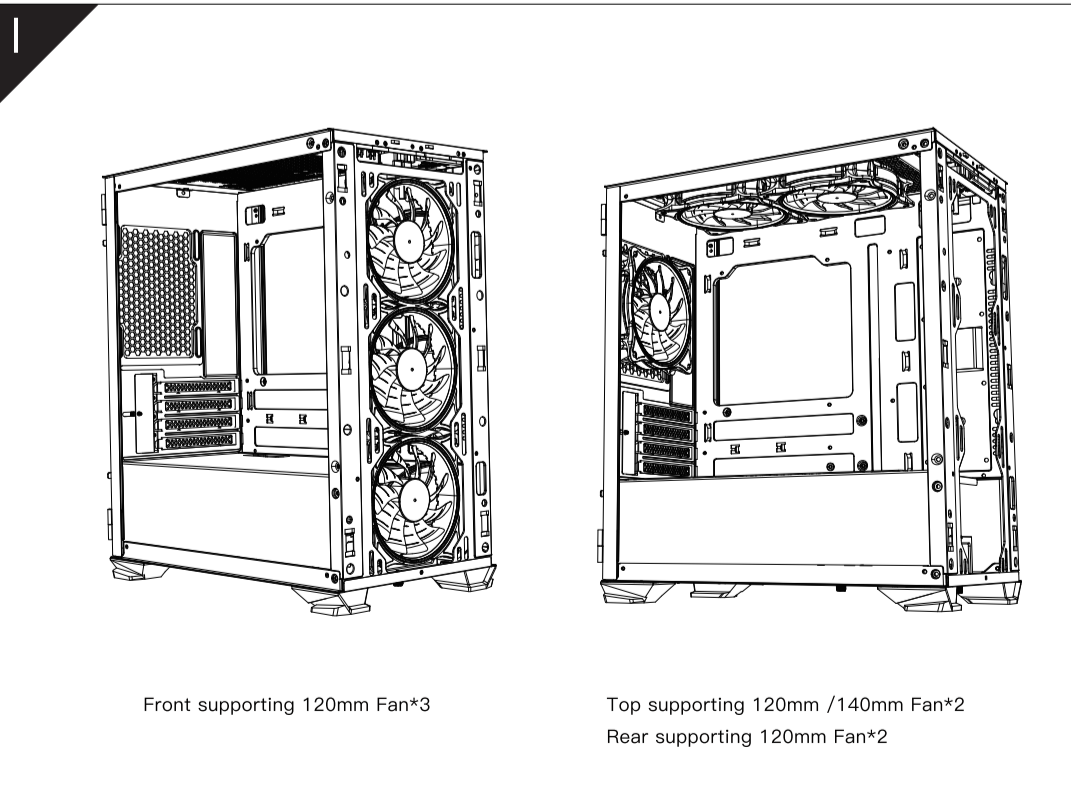
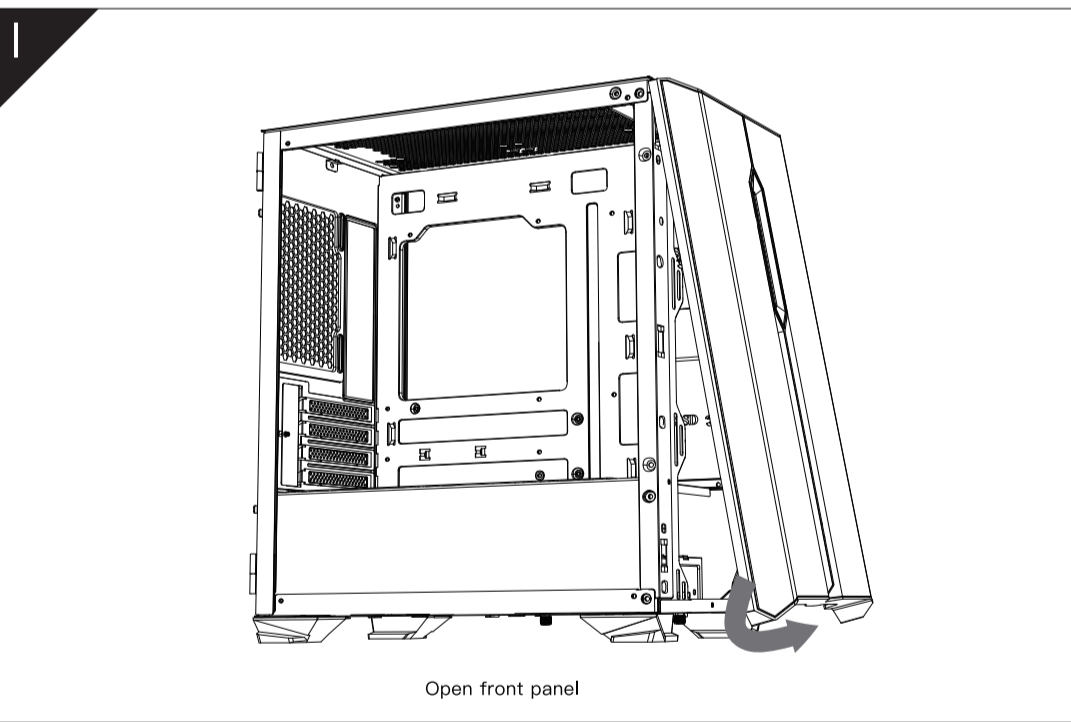
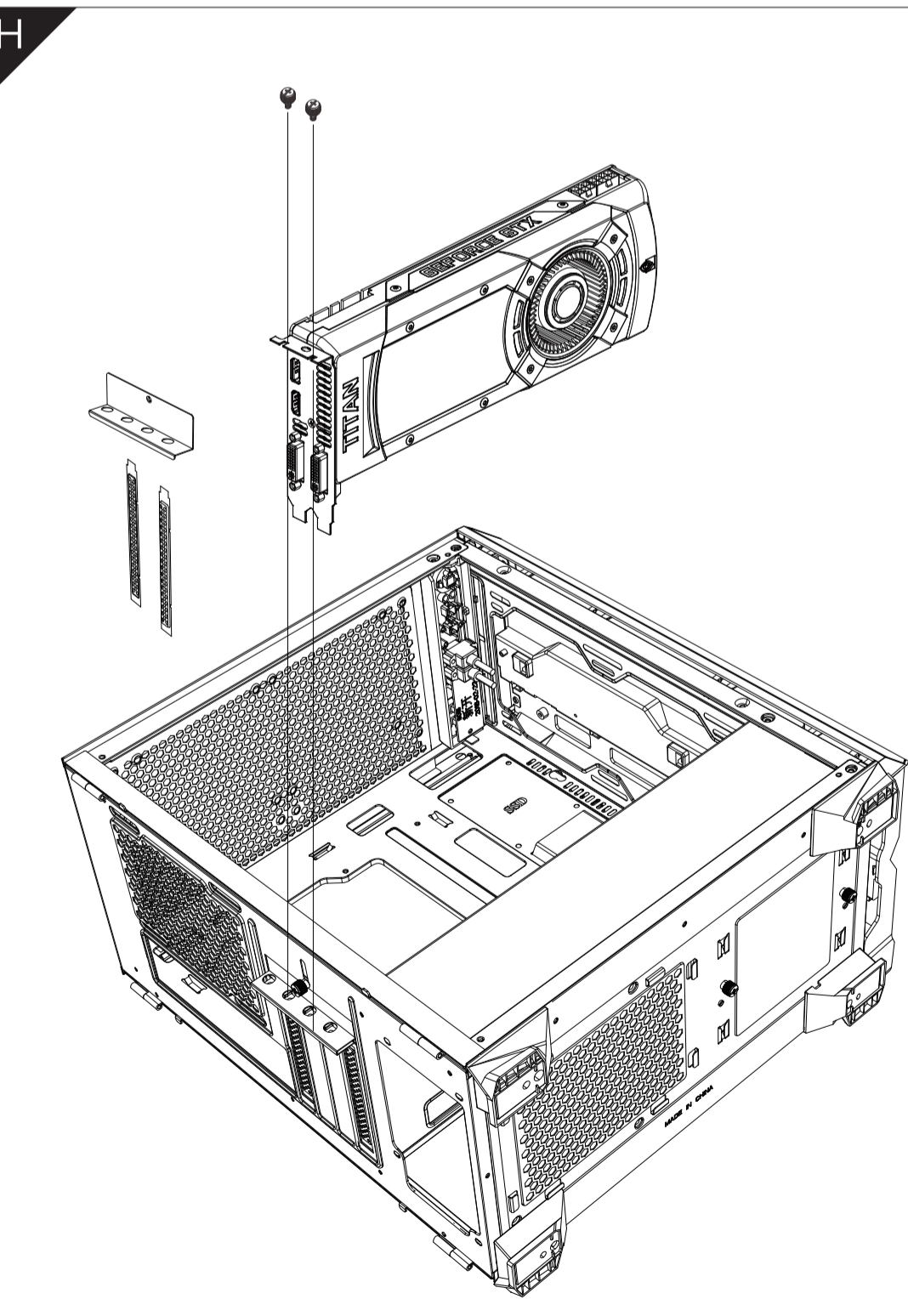
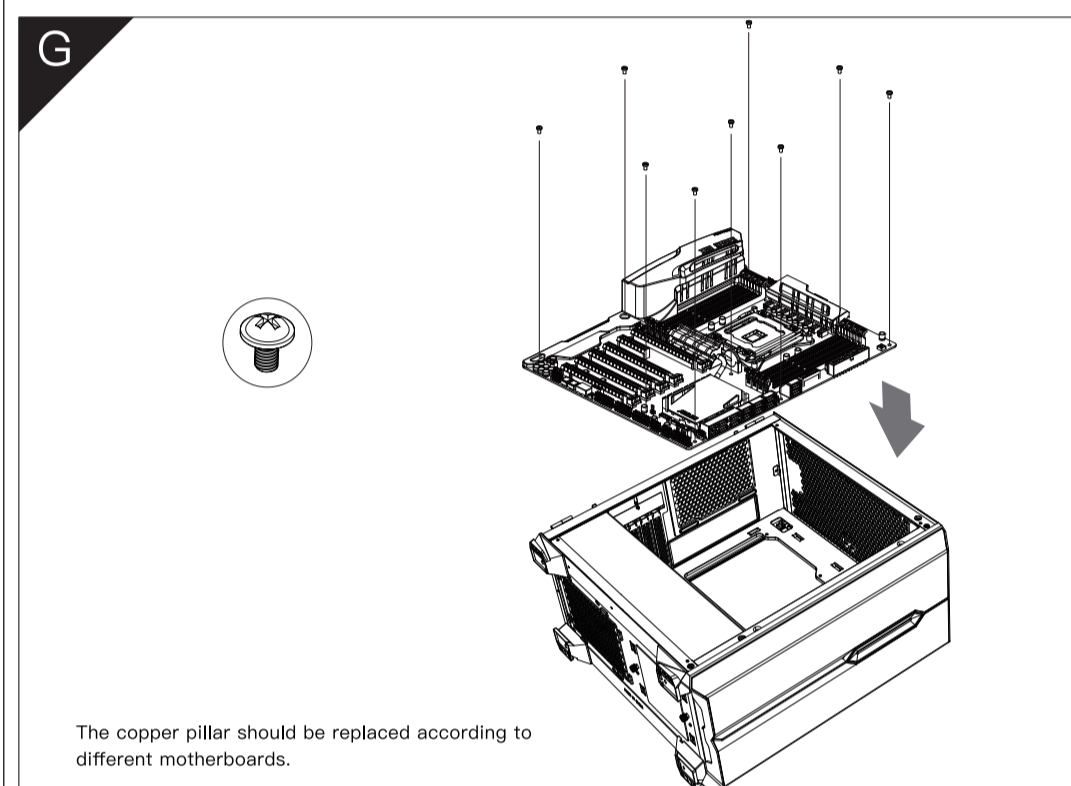
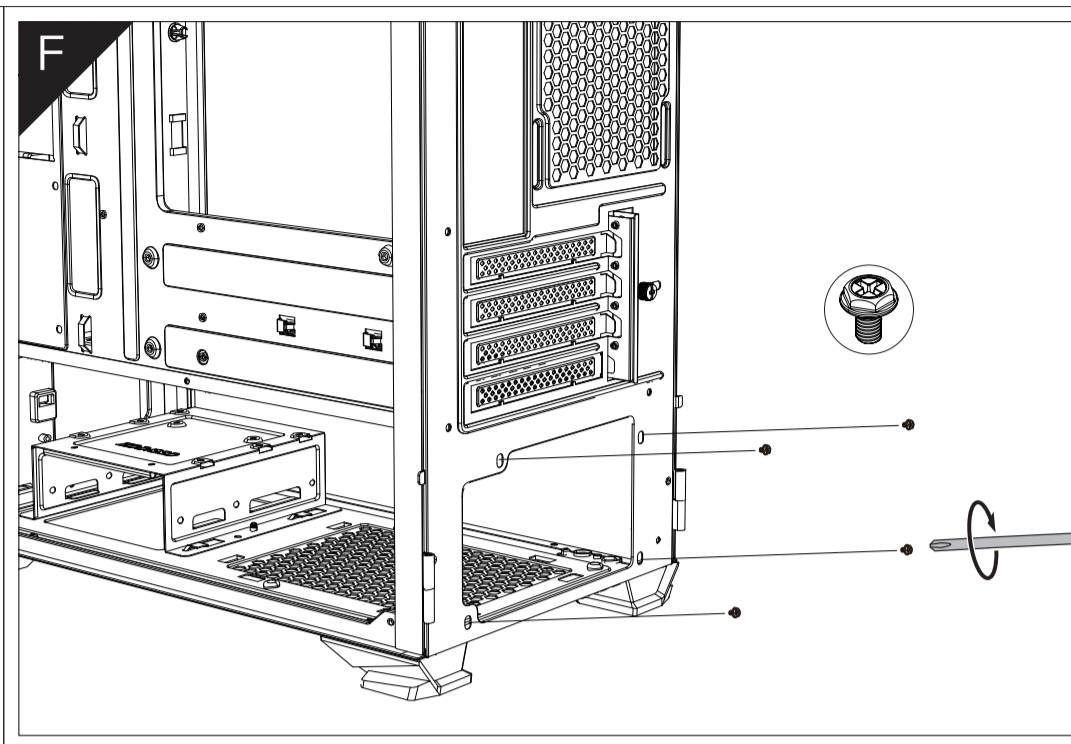
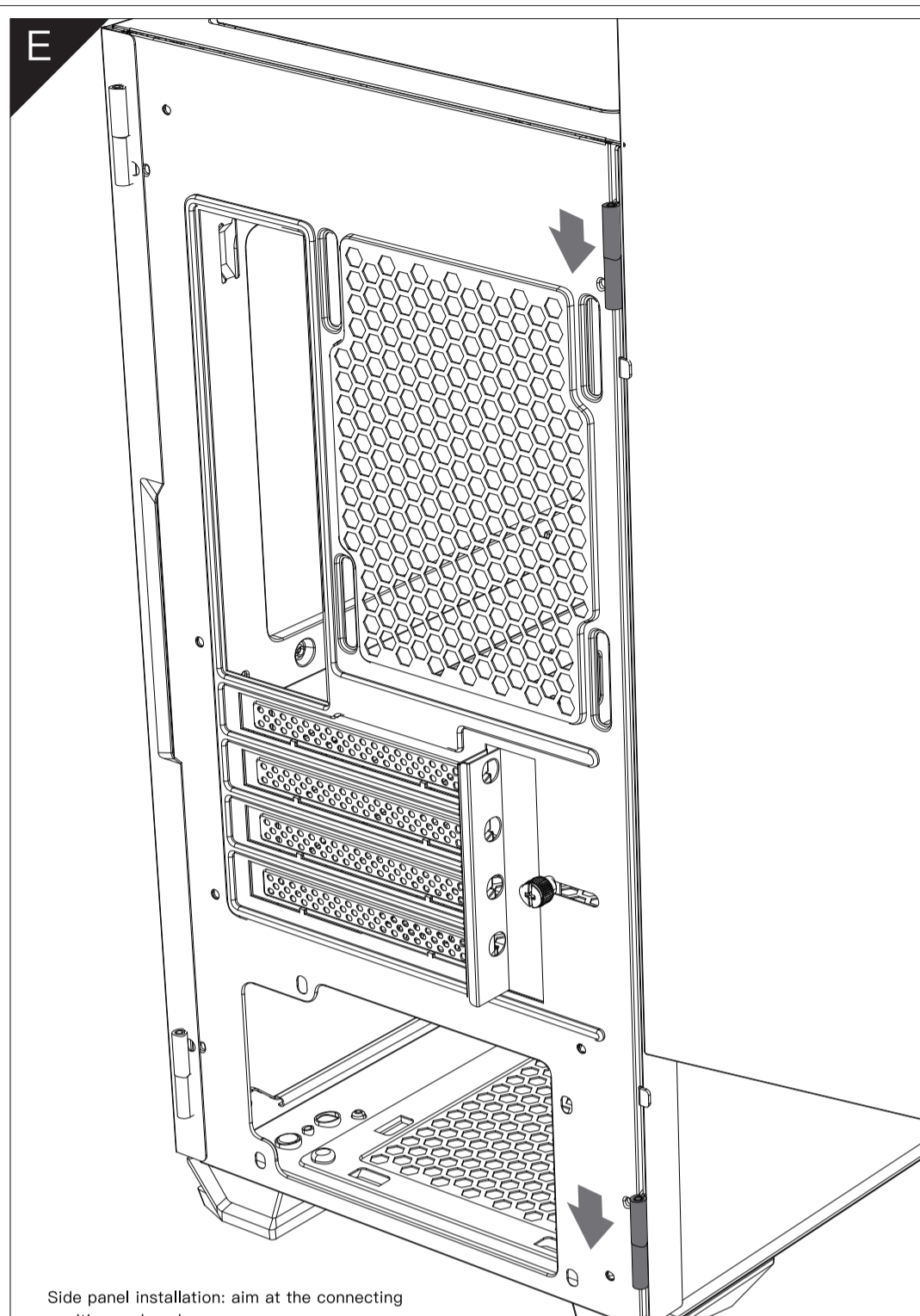
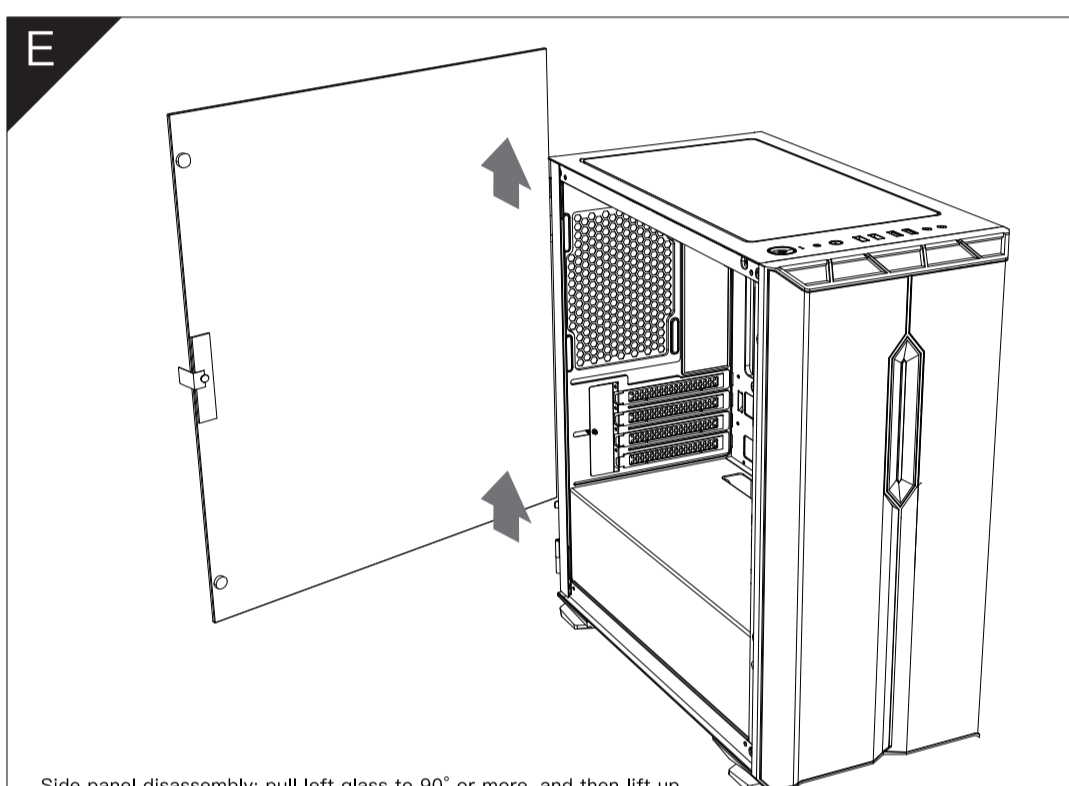
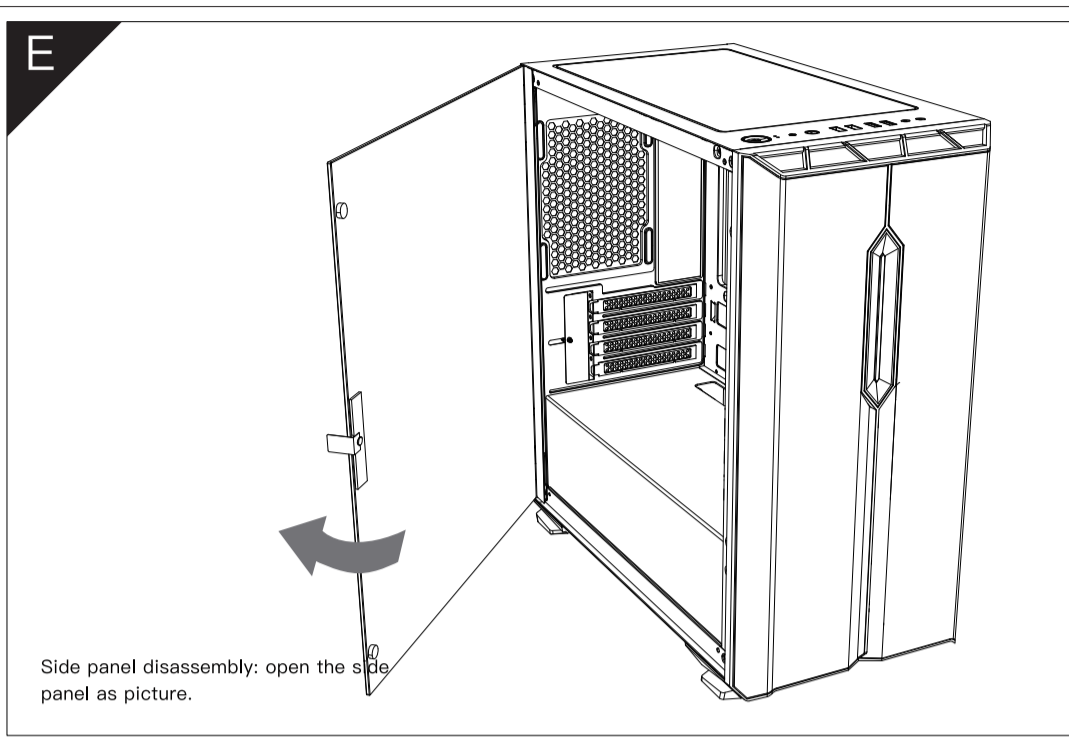
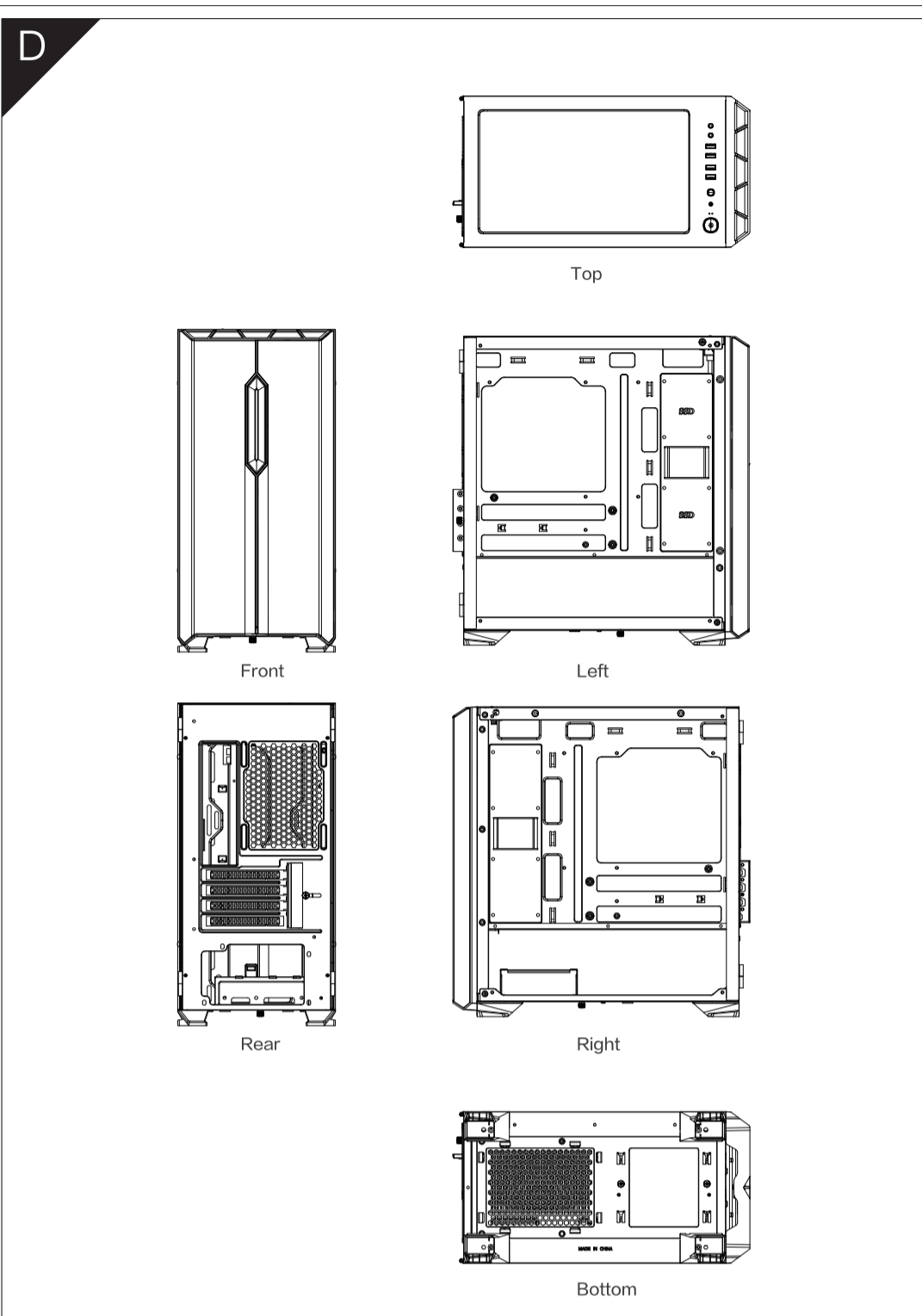
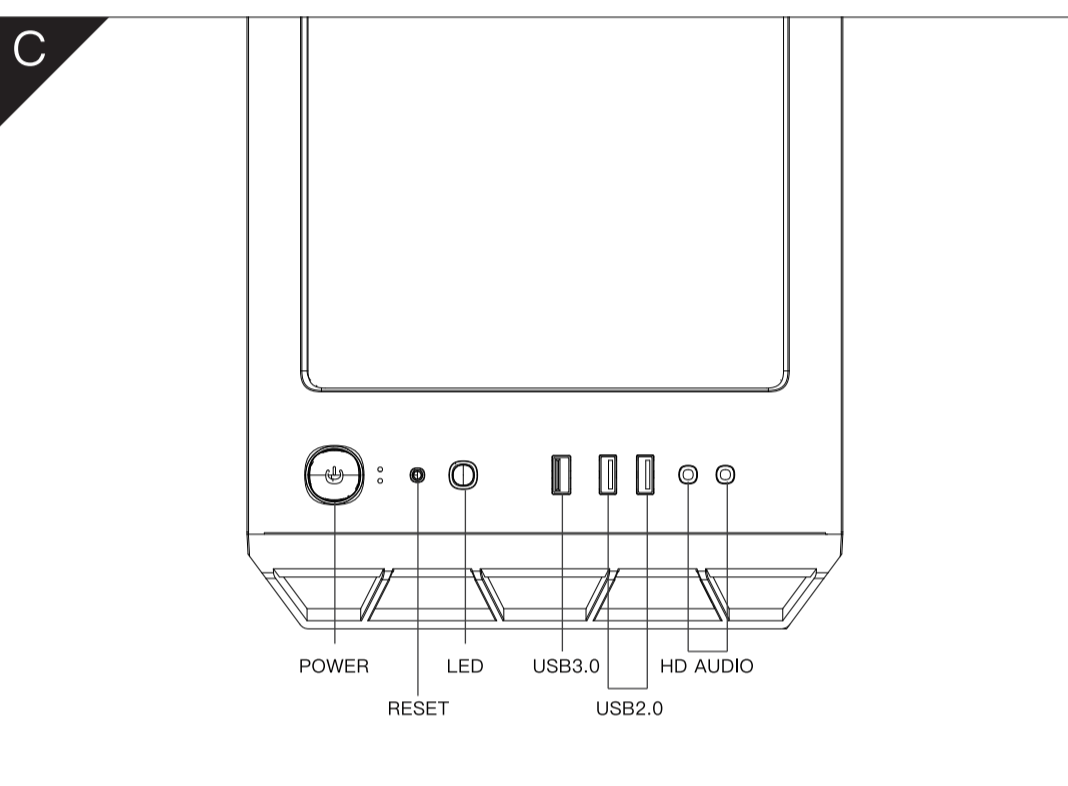
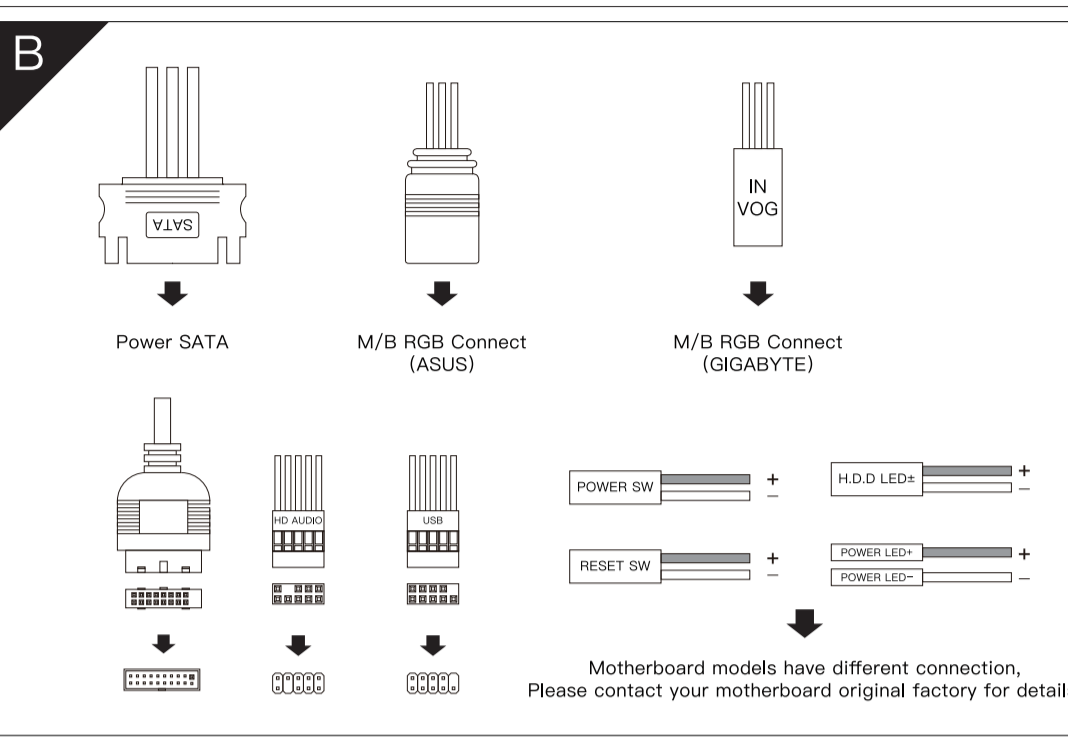
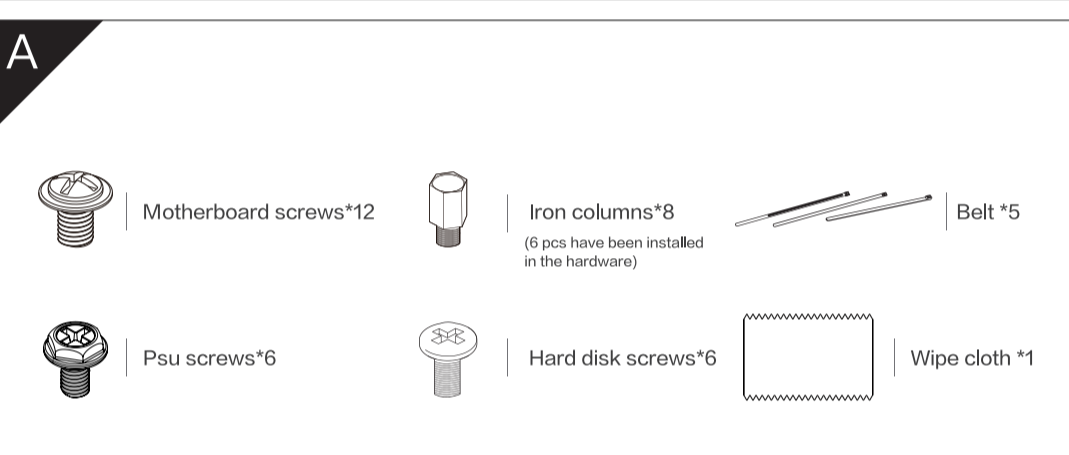
Case Type	Micro-ATX
Material	0.6mm
Motherboard	micro-ATX / mini-ITX
Hardware Size	360*208*405mm(W*H*D)
Case Size	408*208*425mm(W*H*D)
HDD	2
SSD	2
PCI Slots	4
Max. VGA card	350mm (Not include front panel fan)
Max. CPU Cooler	330mm (include front panel fan)
I/O	Power / Reset / USB3.0*1 / USB2.0*2 / HD AUDIO


DLM 23

DOOR OPENING OF TEMPERED GLASS
LUXURY M-ATX CHASSIS




- A: Accessory bag
- B: Cable
- C: I/O port
- D: Six angle picture
- E: Panel disassembly
- F: Power supply installation
- G: Motherboard installation
- H: VGA card installation
- I: Front panel fan installation
- J: Water cooling installation
- K: SSD installation
- L: HDD installation
- M: HDD/SSD cover installation





www.darkFlash.com

Fly to unlimited!



DARKFLASH INTECH CO., LTD.
www.darkFlash.com