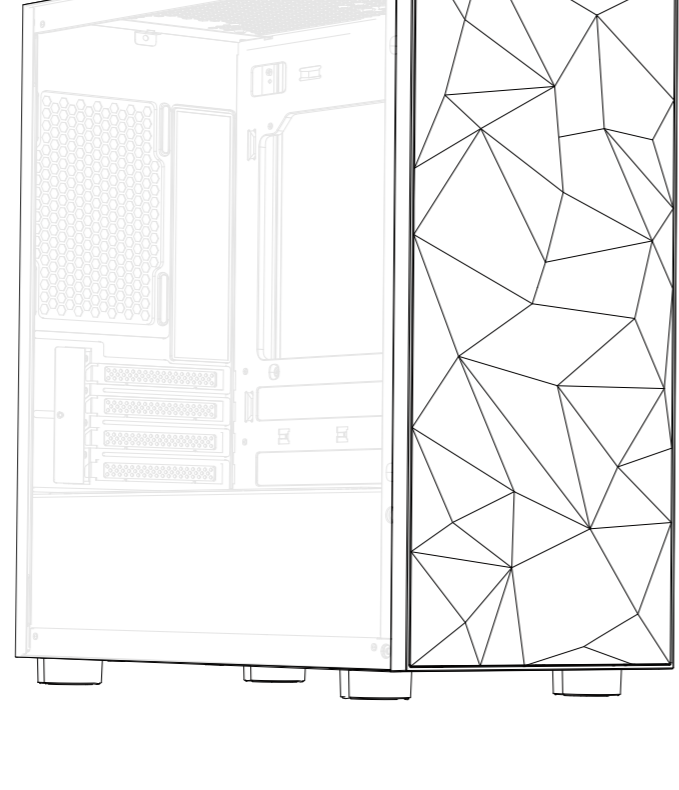


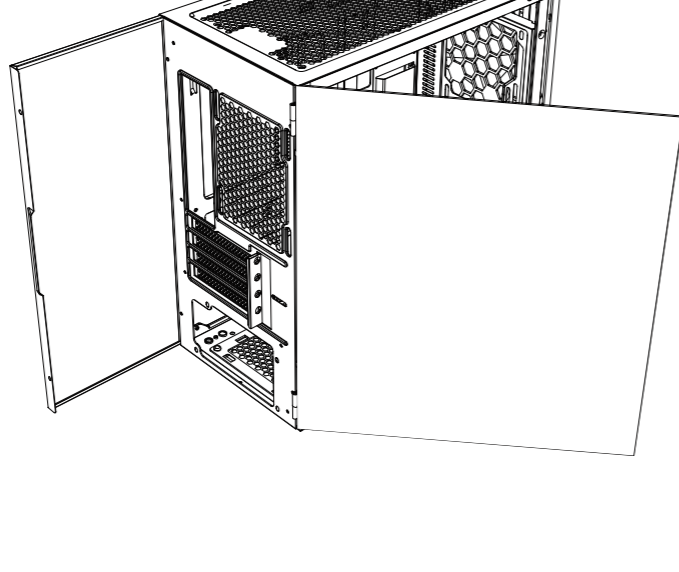


DLM 21

DOOR OPENING OF TEMPERED GLASS
LUXURY M-ATX CHASSIS

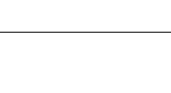


INSTALLATION GUIDE

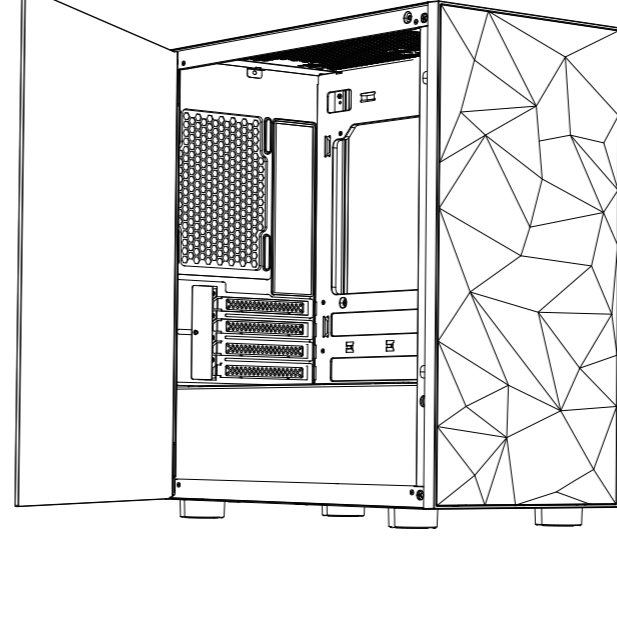


SPECIFICATIONS

Case Type	Micro-ATX
Material	0.6mm
Motherboard	micro-ATX / mini-ITX
Hardware Size	360*208*1405mm(W*H*D)
Case Size	360*208*425mm(W*H*D)
HDD	2
SSD	2
PCI Slots	4
Max. VGA card	350mm (Not include front panel fan) 330mm (include front panel fan)
Max. CPU Cooler	160mm
I/O	Power / Reset / USB3.0*1 / USB2.0*2 / HD AUDIO

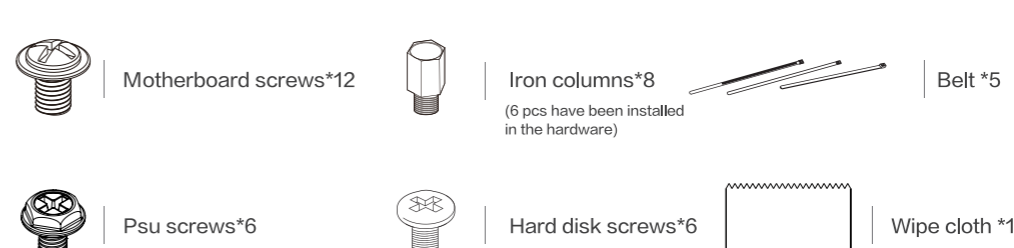


DLM 21 DOOR OPENING OF TEMPERED GLASS LUXURY M-ATX CHASSIS

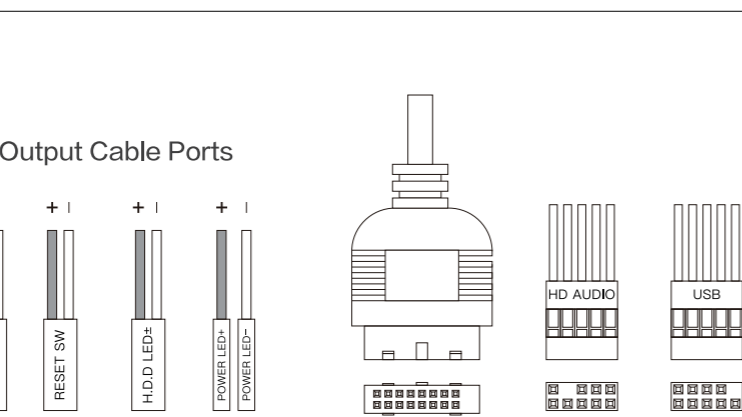


- A: Accessory bag
- B: Cable
- C: I/O port
- D: Six angle picture
- E: Panel disassembly
- F: Power supply installation
- G: Motherboard installation
- H: VGA card installation
- I: Front panel fan installation
- J: Water cooling installation
- K: SSD installation
- L: HDD installation
- M: HDD/SSD cover installation

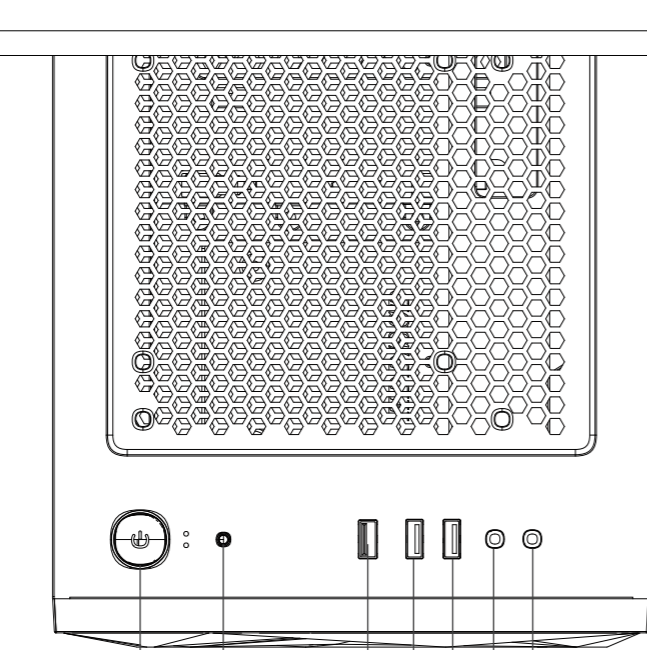
A



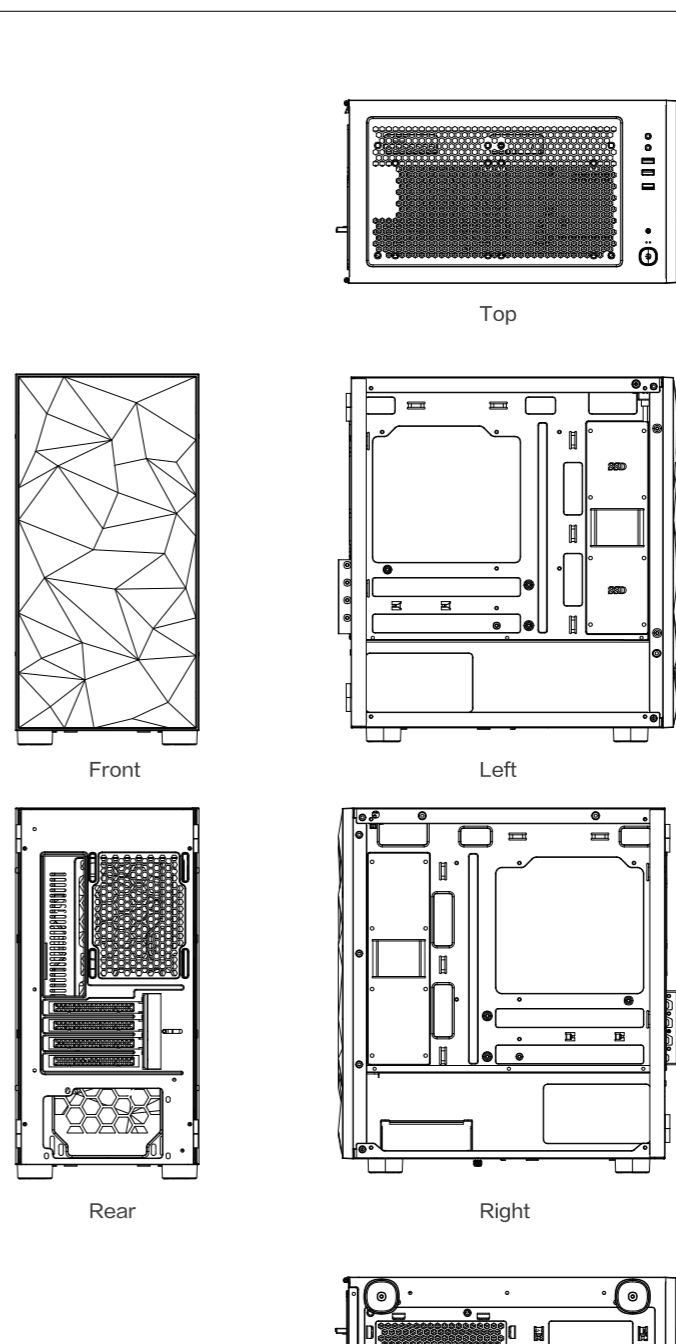
B



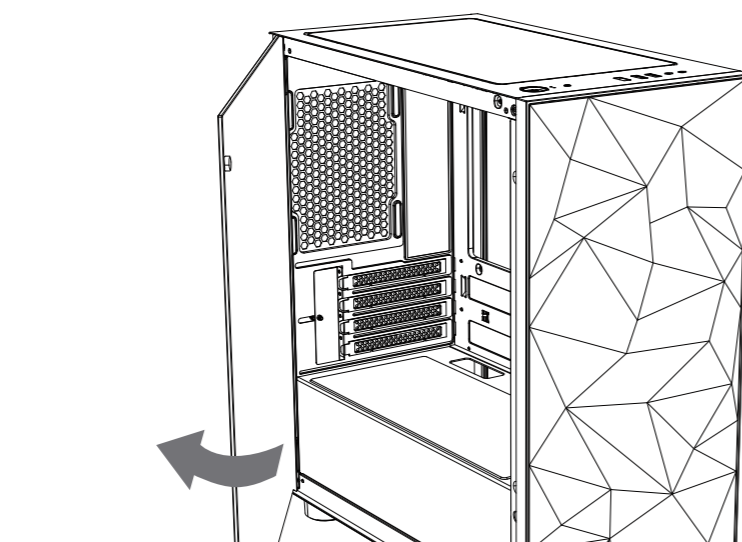
C



D

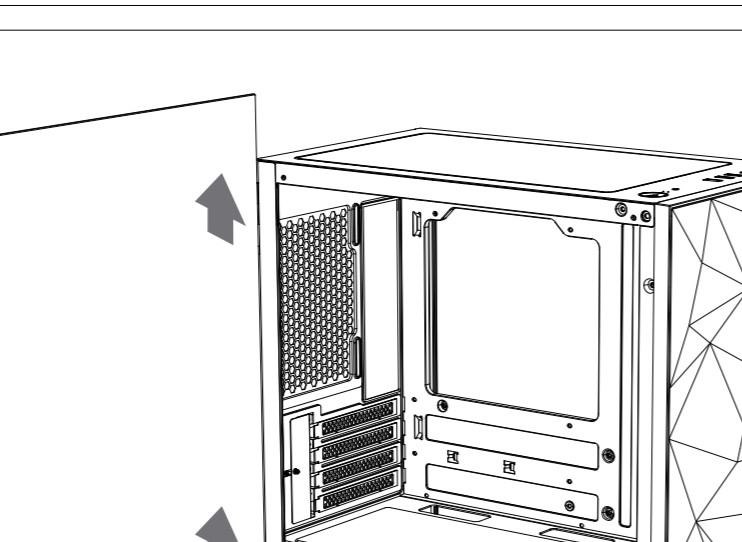


E



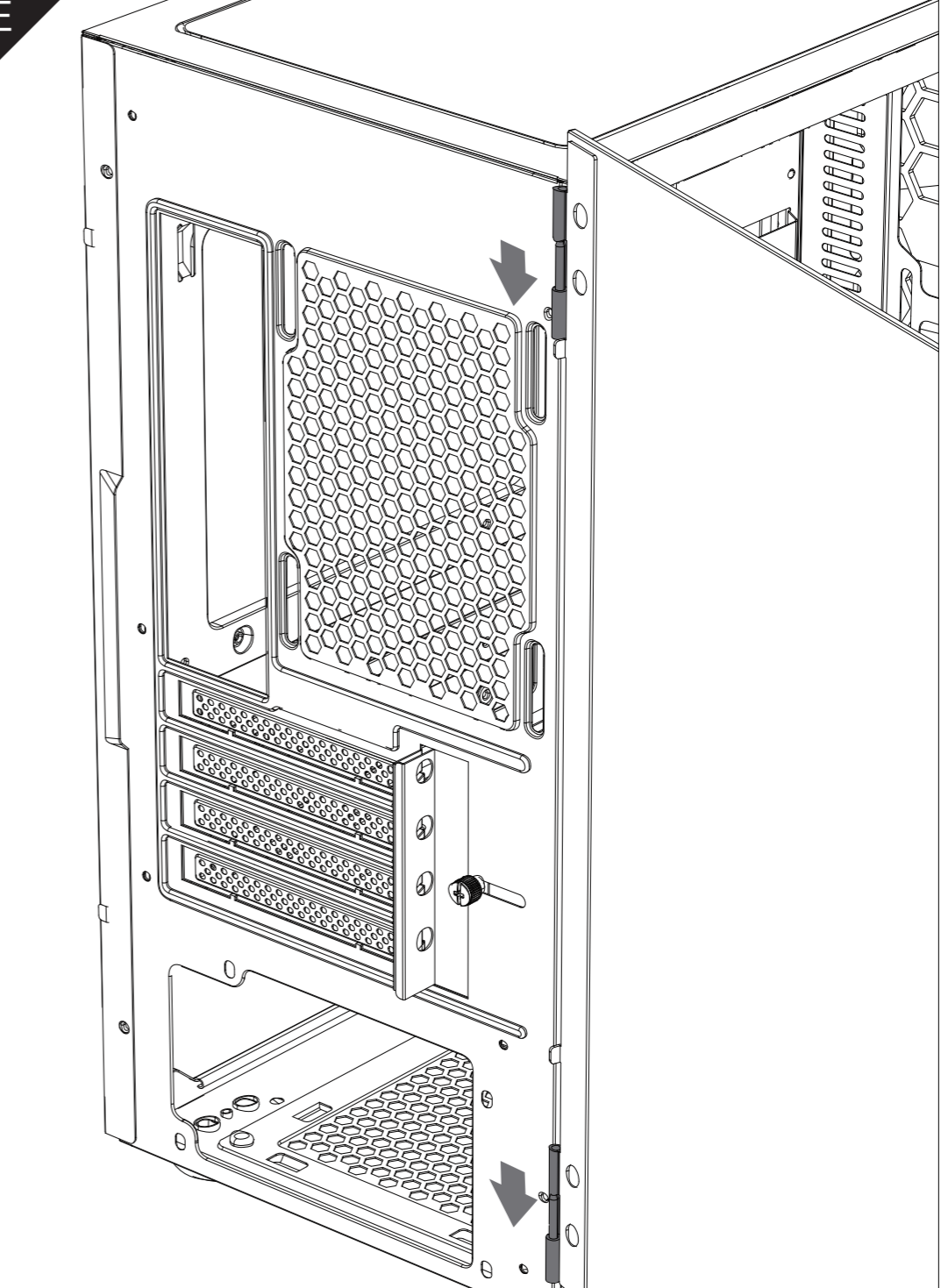
Side panel disassembly: open the side panel as picture.

F



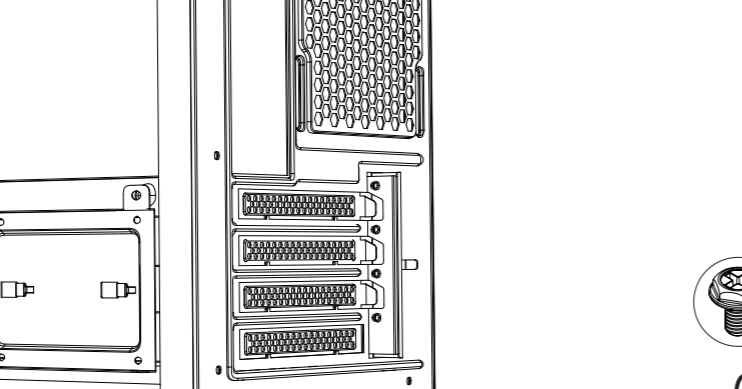
Side panel disassembly: pull left glass to 90° or more, and then lift up.

F

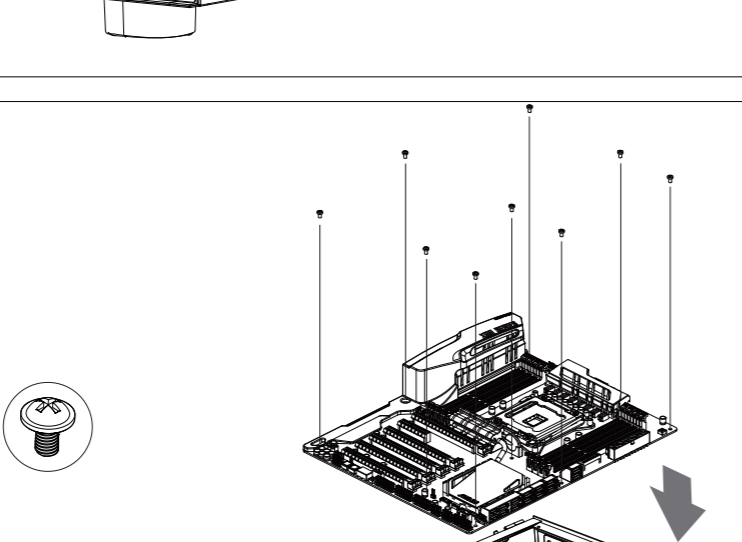


Side panel installation: aim at the connecting position and push

F

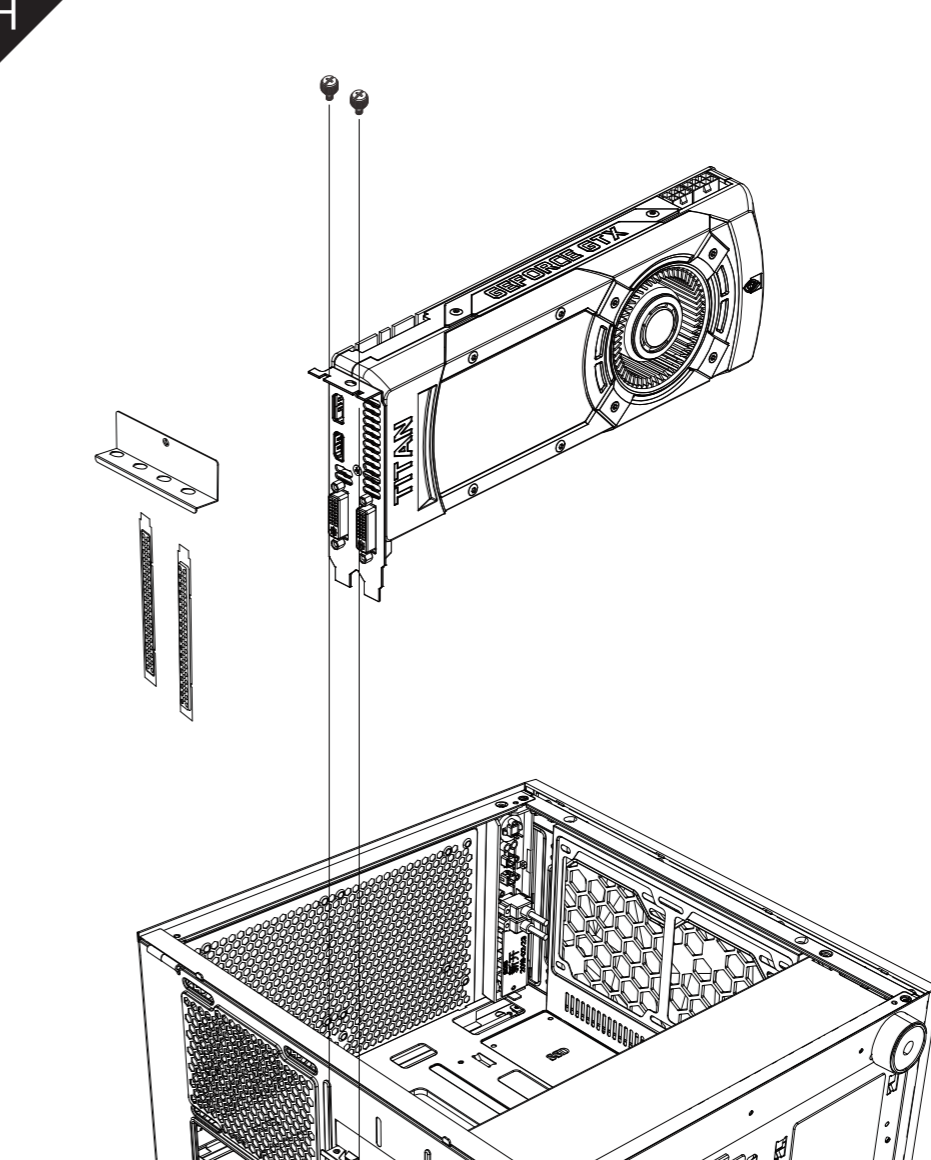


G

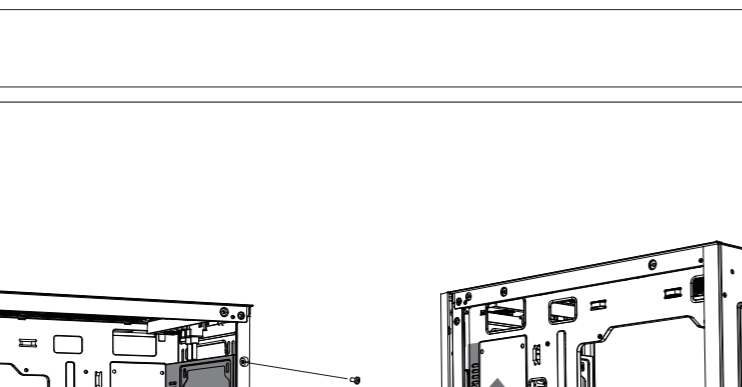


The copper pillar should be replaced according to different motherboards.

H

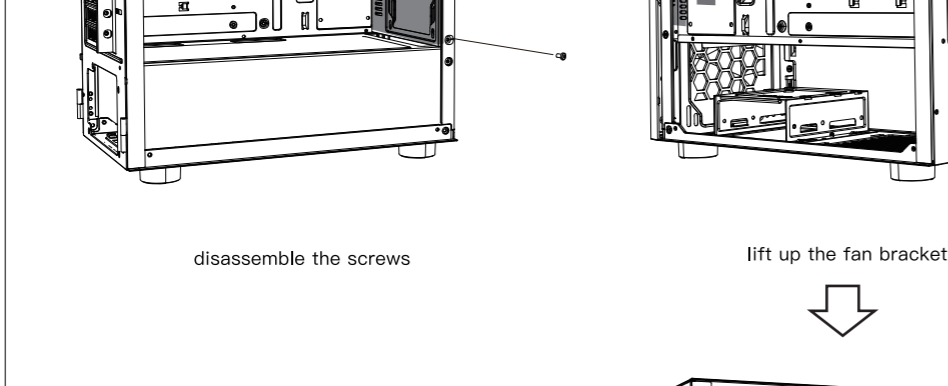


I



disassemble the screws

lift up the fan bracket

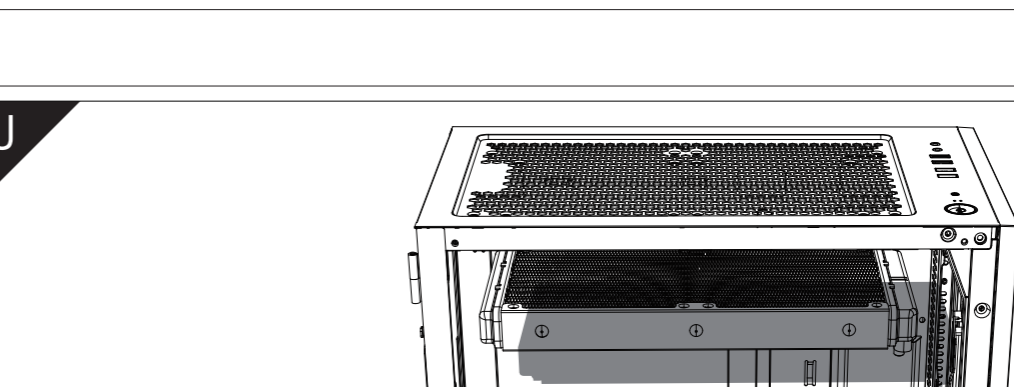


The fans installed inside the metal

remove the fan bracket

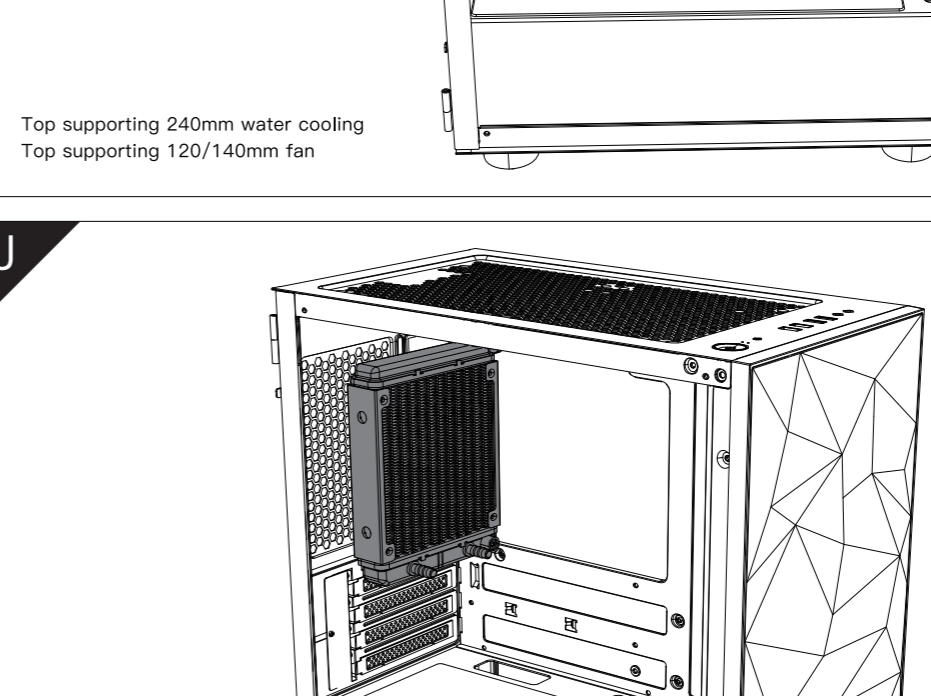
Attention: bracket equipped only in DLM21V2 (no bracket in DLM Mesh Version)

J



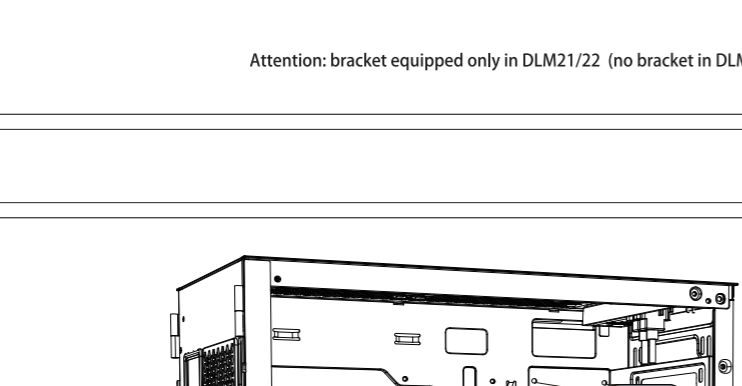
Top supporting 240mm water cooling
Top supporting 120/140mm fan

J



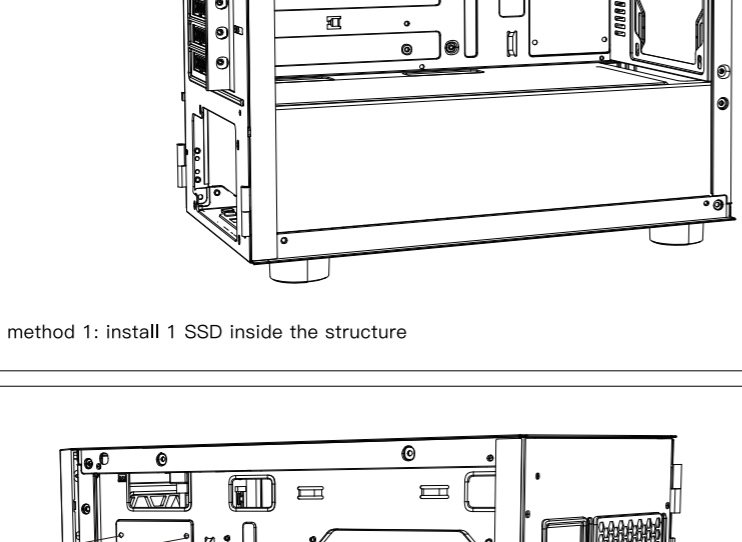
Back supporting 120mm water cooling

K



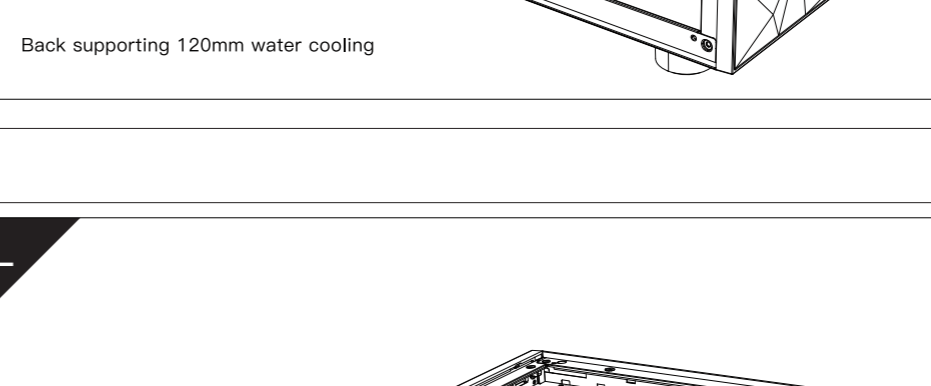
SSD installation method 1: install 1 SSD inside the structure

K



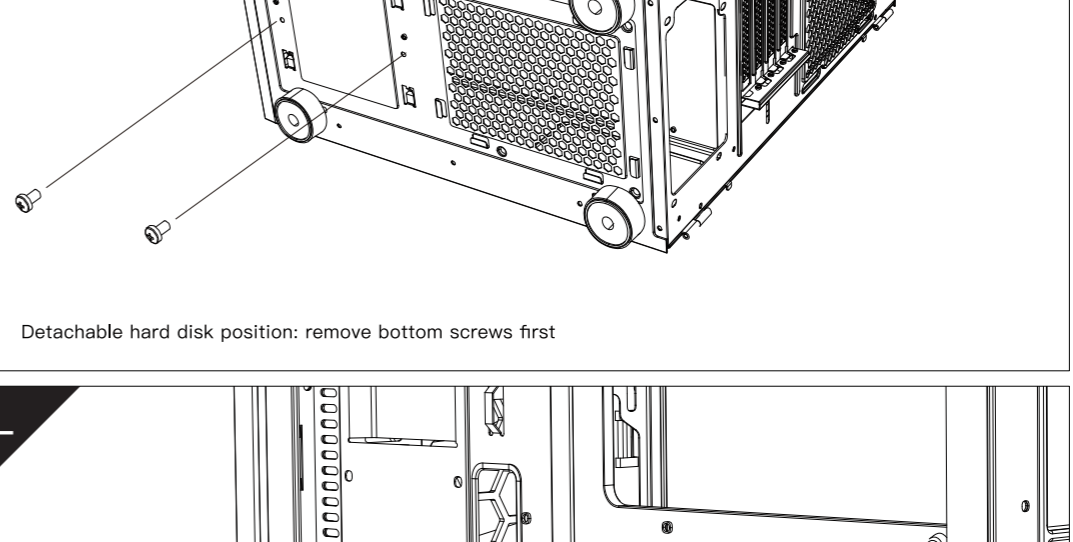
SSD installation method 1: install two SSD simultaneously at back of structure

L



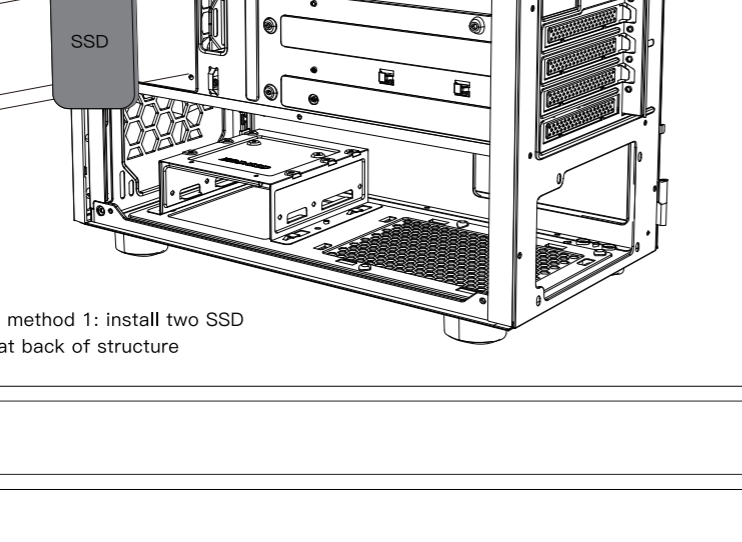
Detachable hard disk position: remove bottom screws first

L



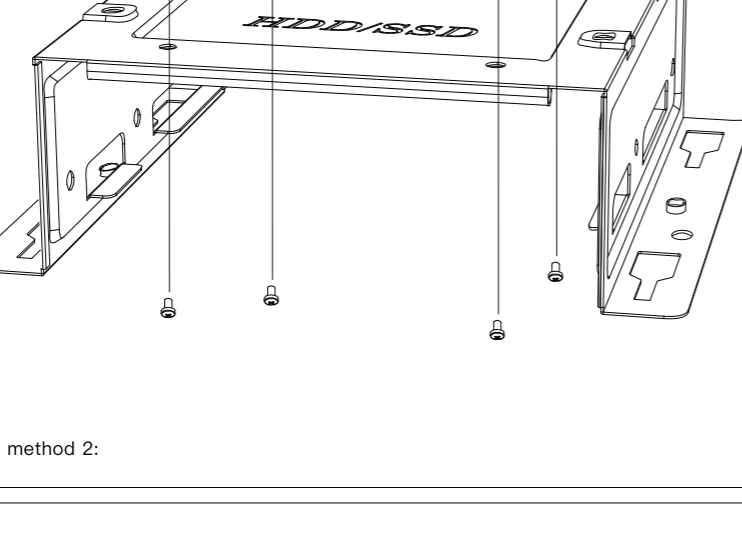
Detachable hard disk position: pull out

M



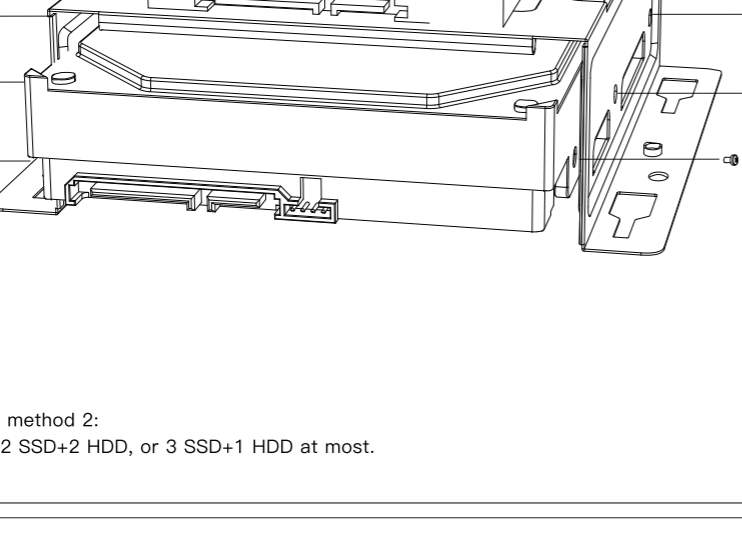
SSD installation method 2:

M



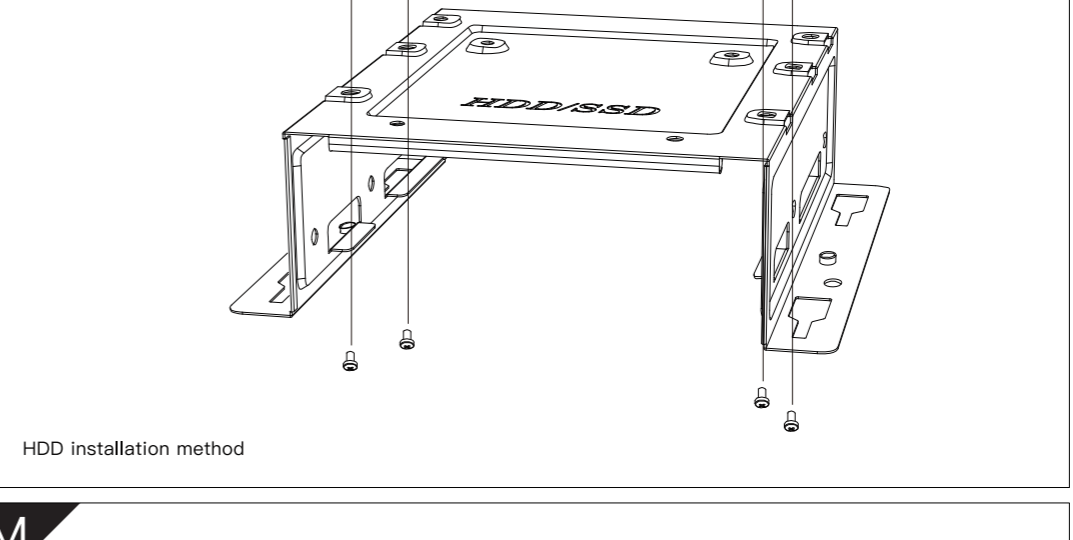
HDD installation method

M



SSD installation method 2: It can supports 2 SSD+2 HDD, or 3 SSD+1 HDD at most.

M



SSD installation method: It can supports 2 SSD+2 HDD, or 3 SSD+1 HDD at most.