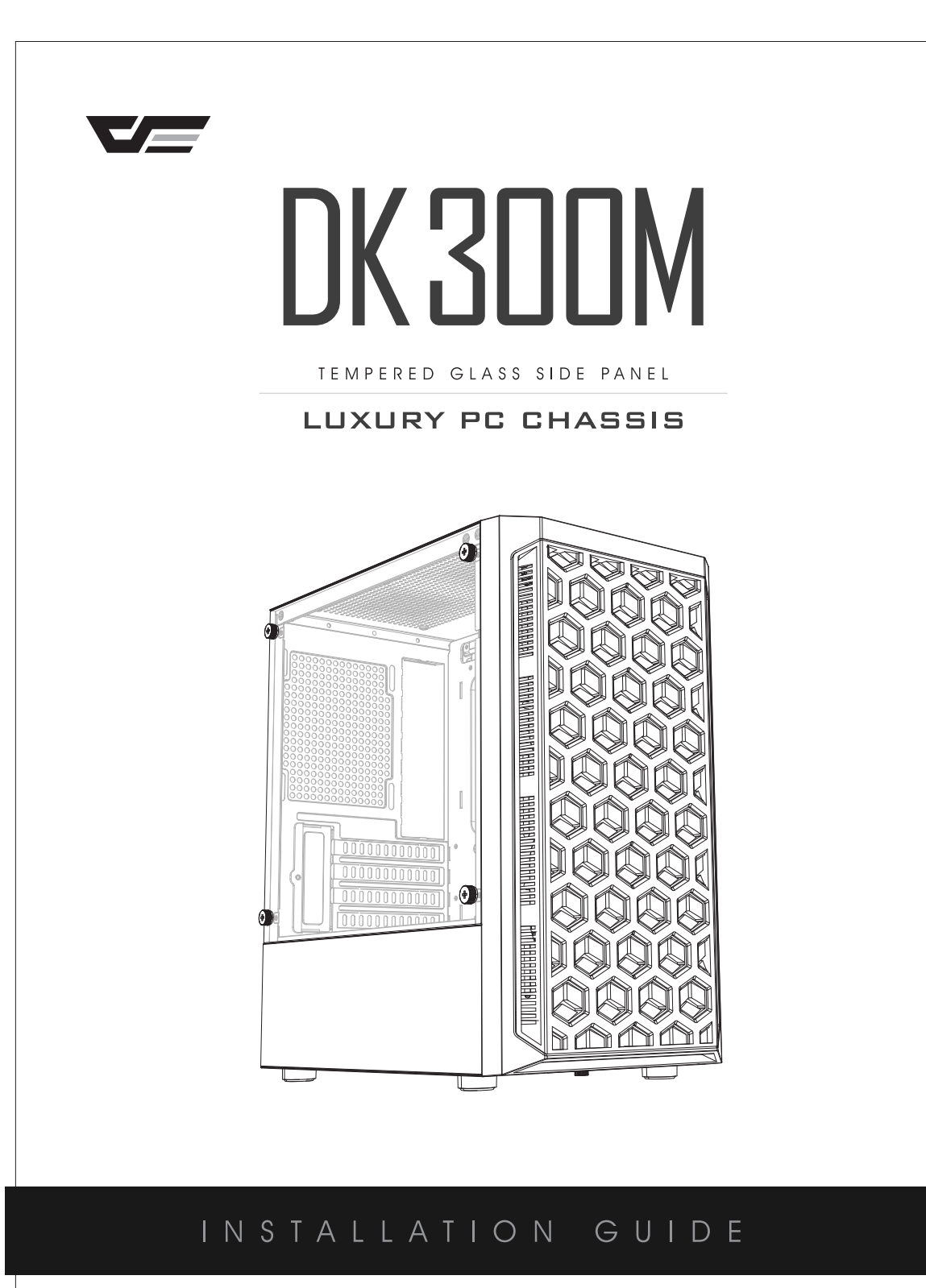


150mm

210mm

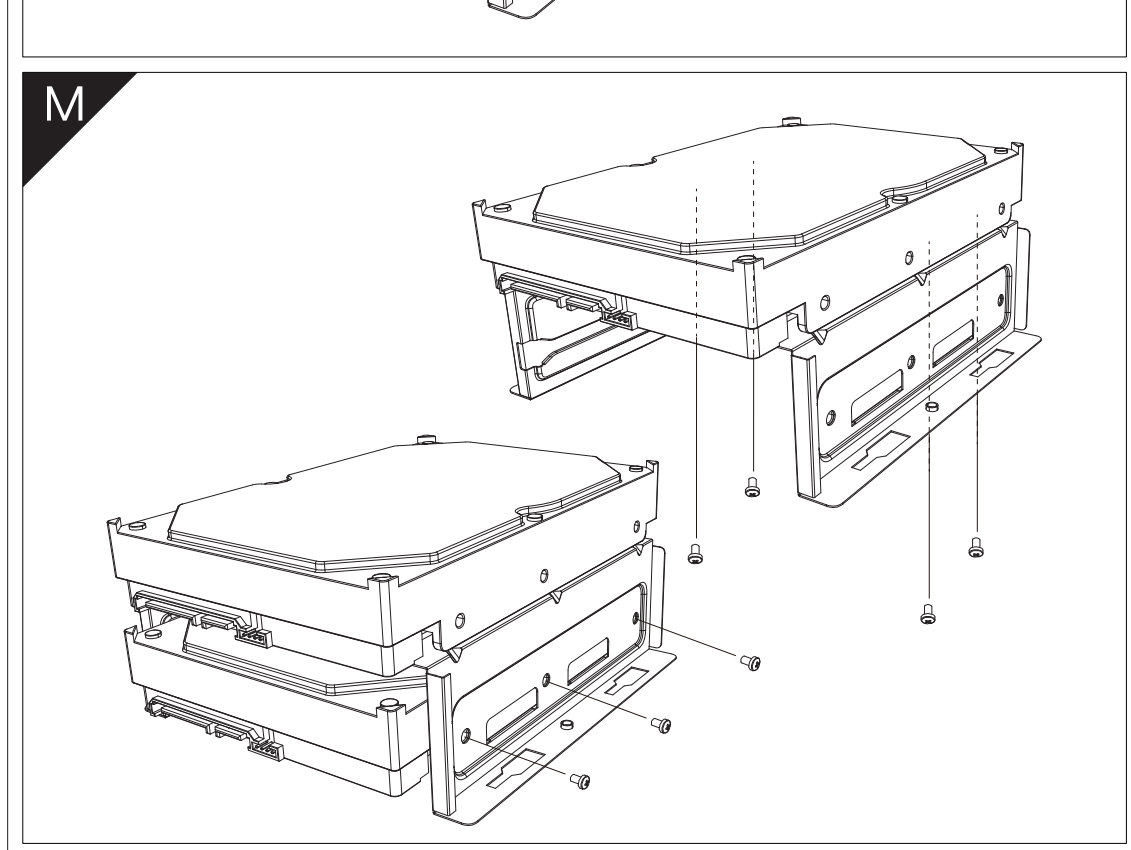
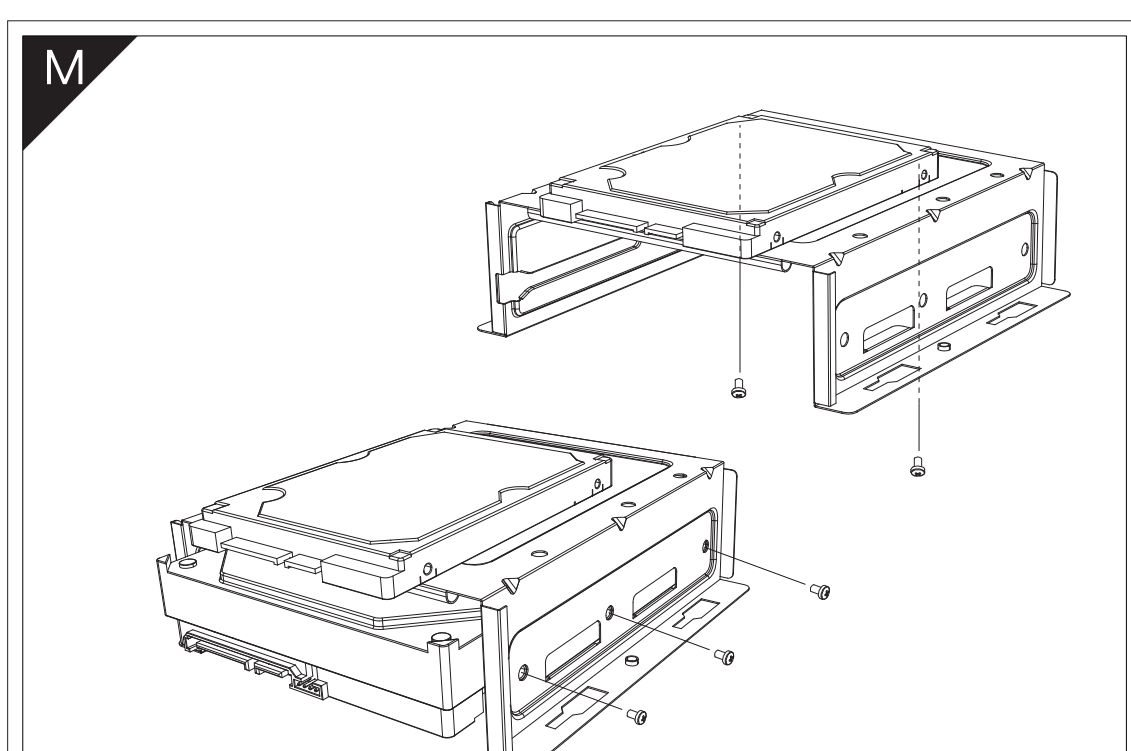
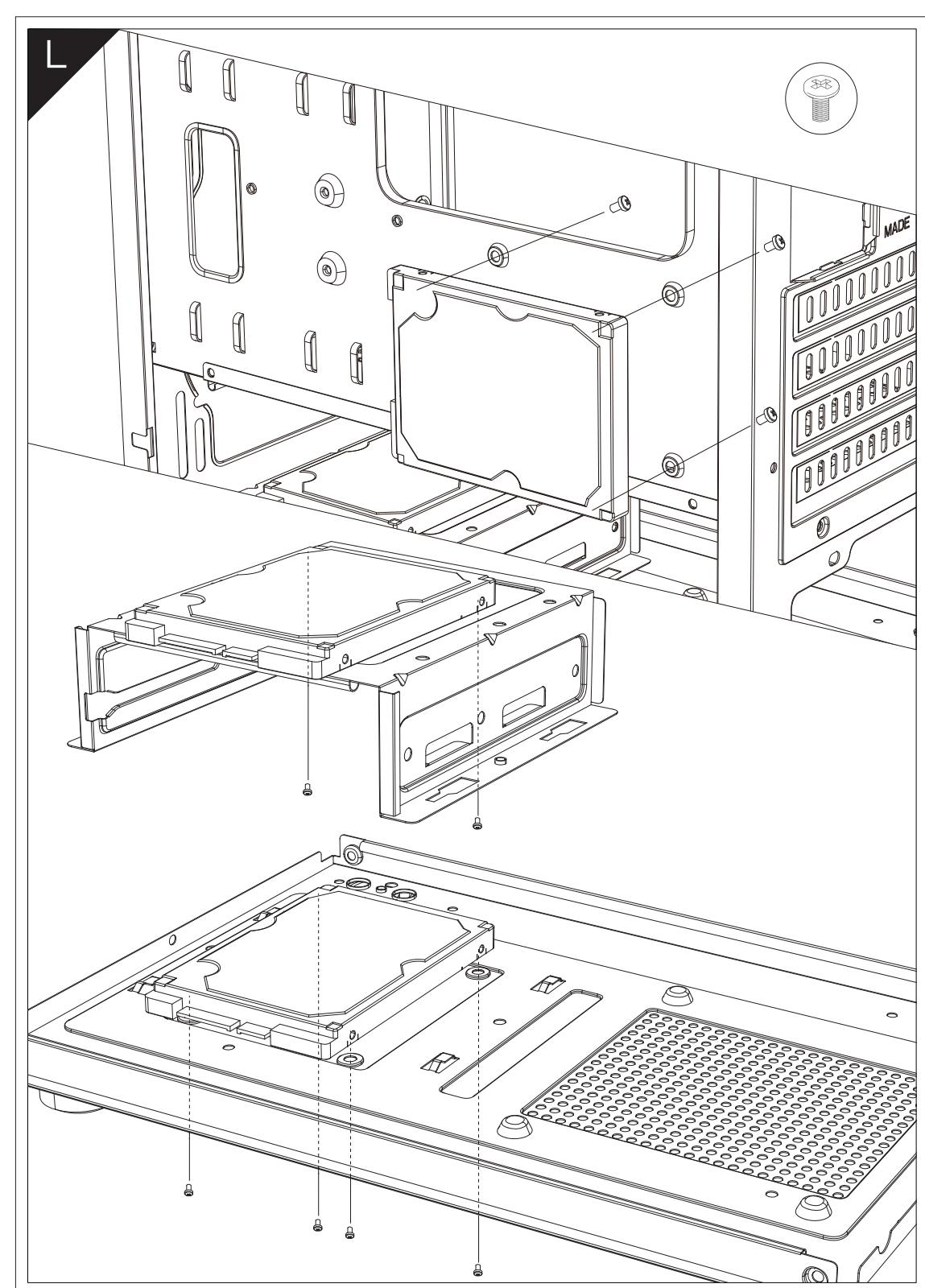
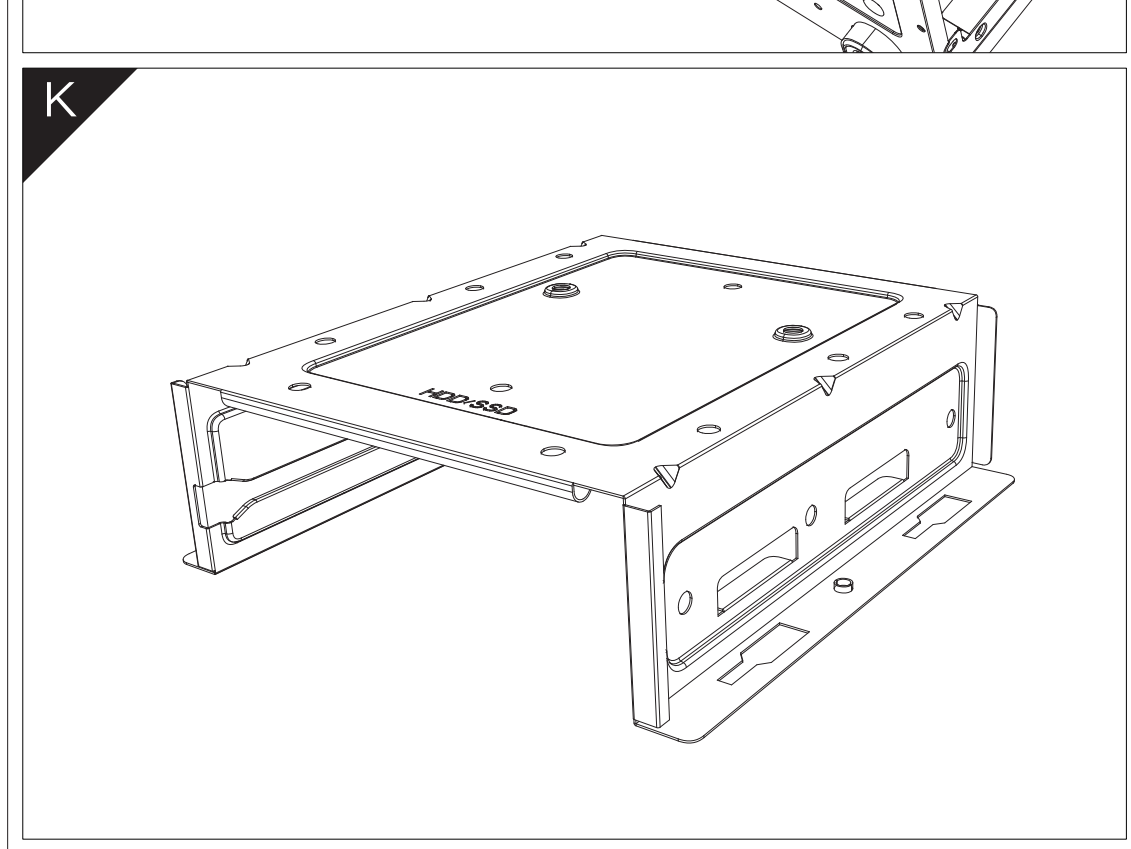
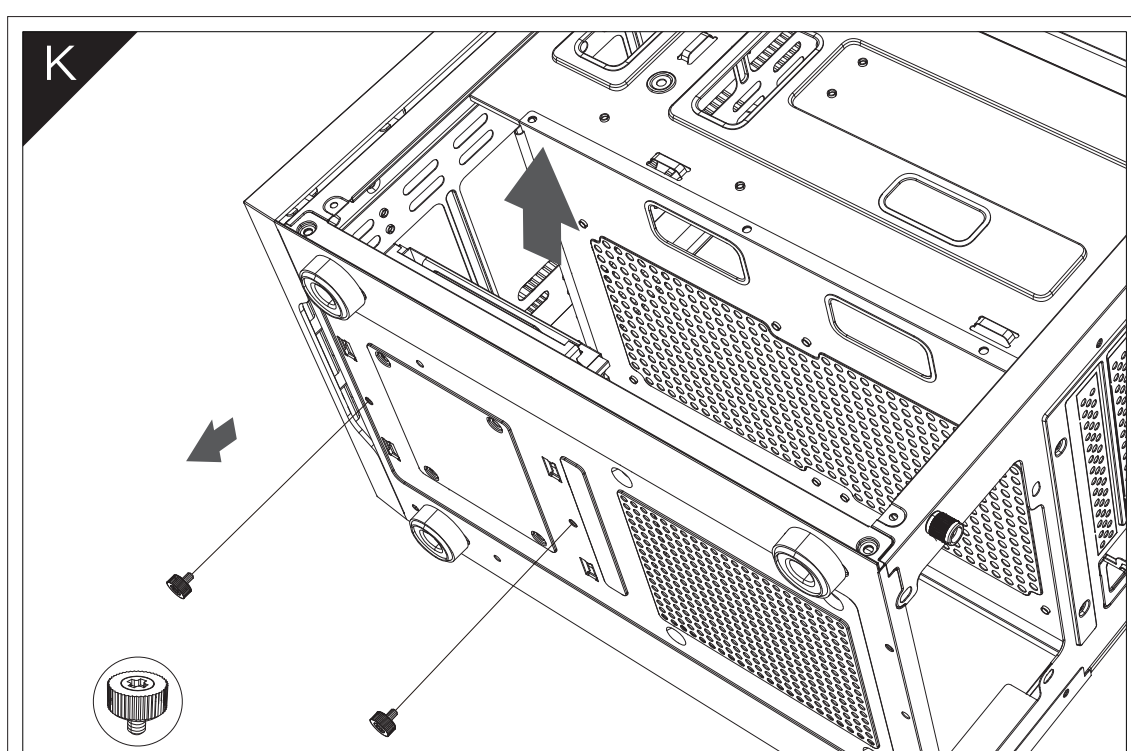
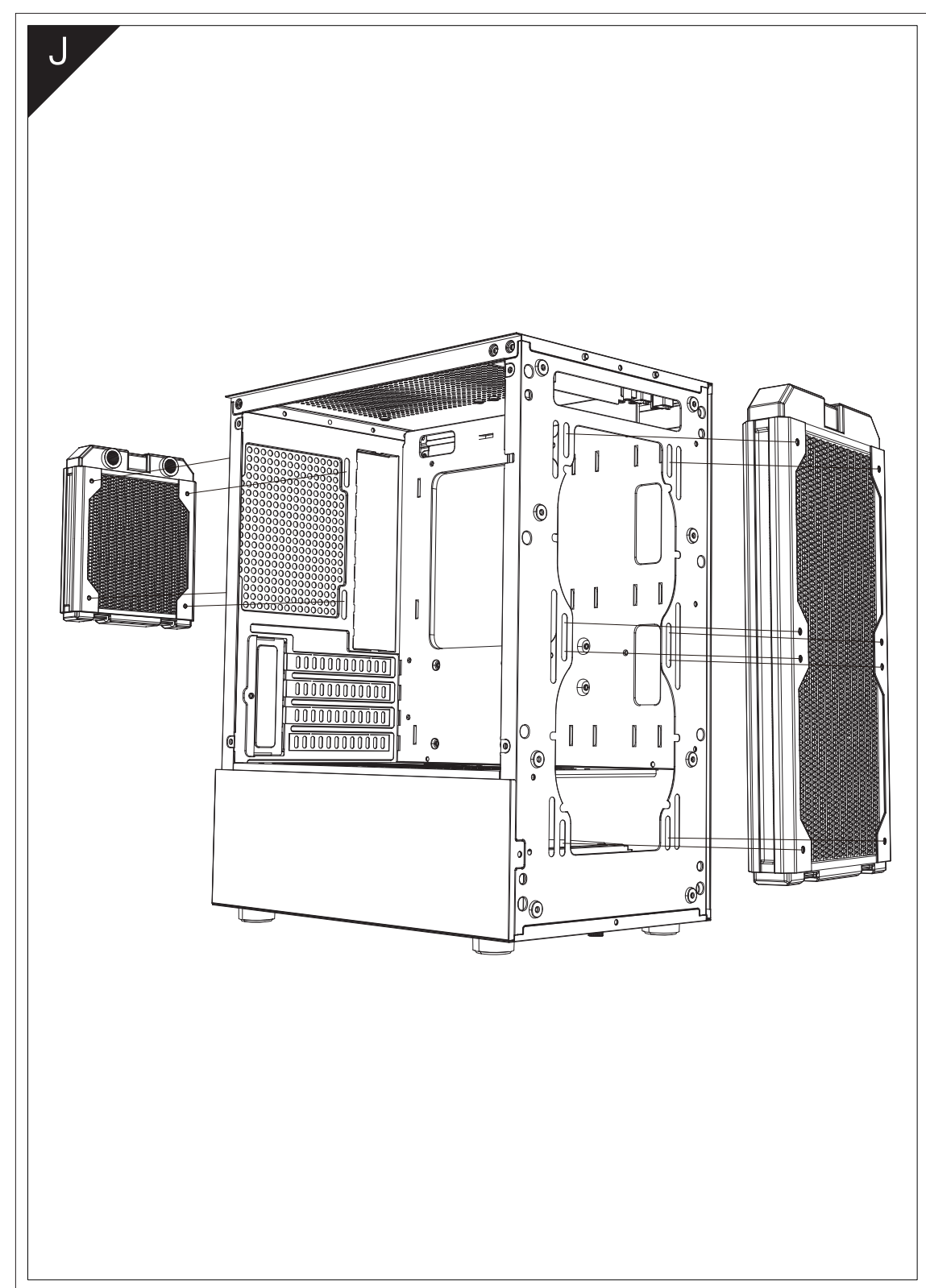
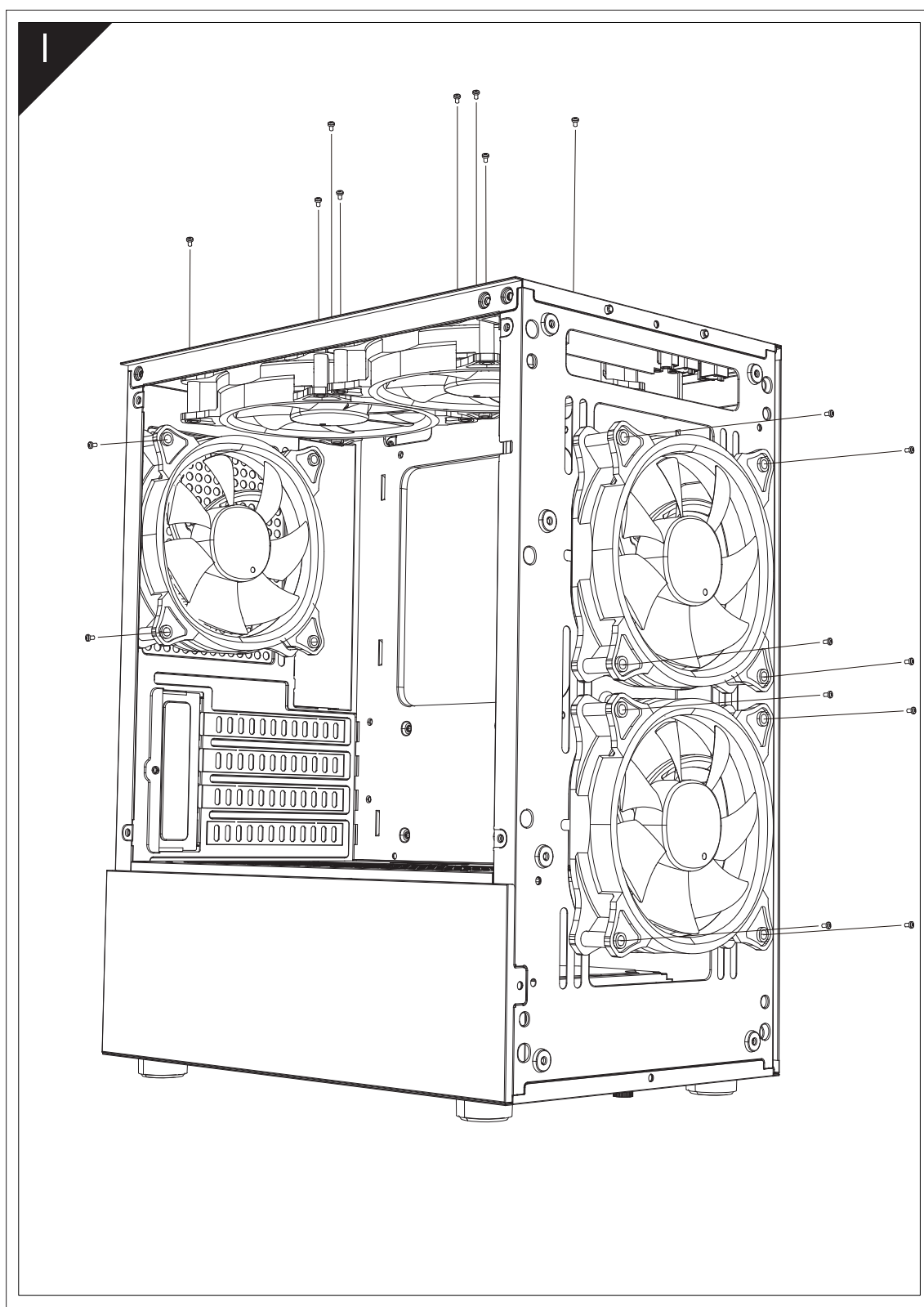
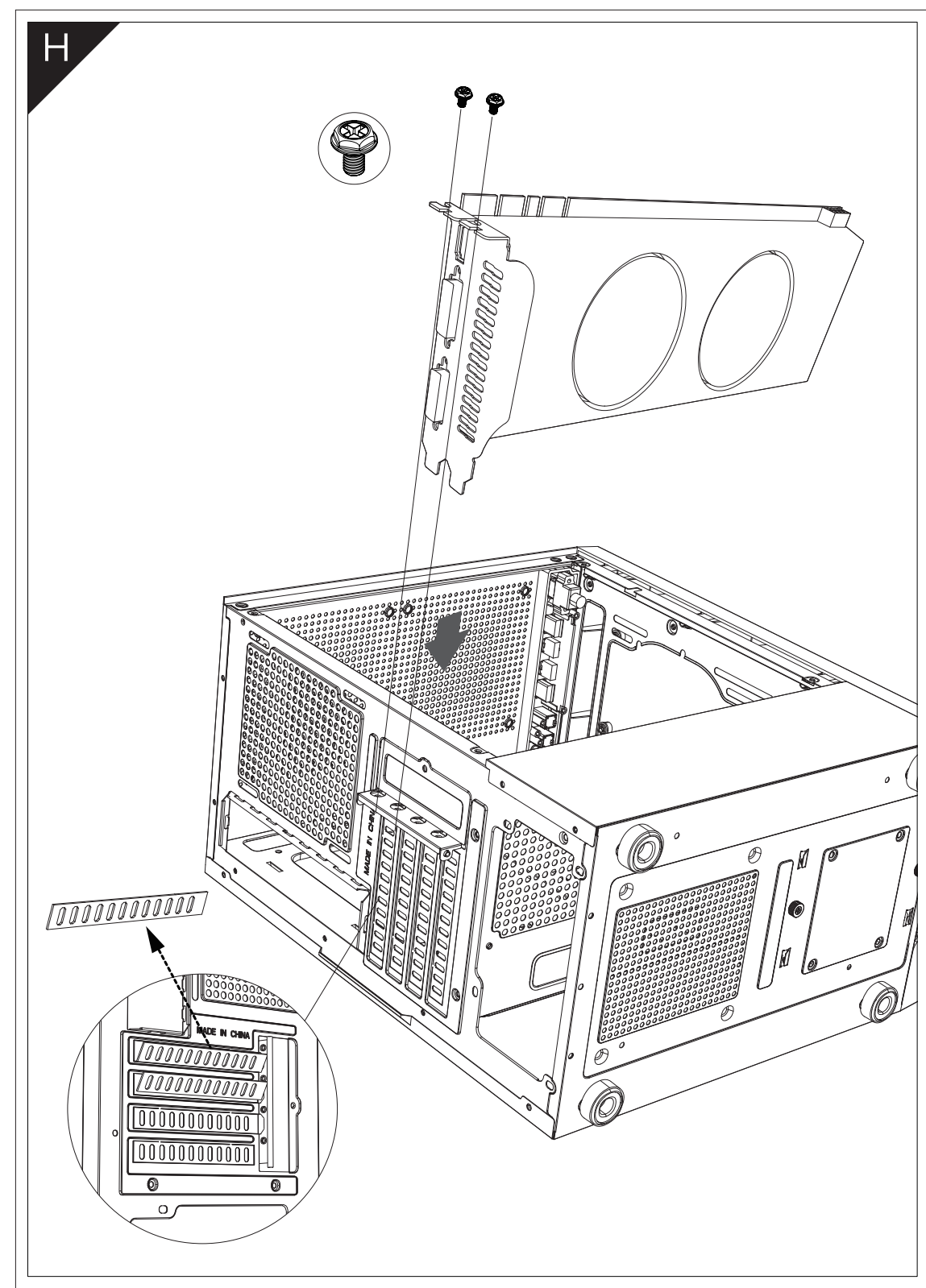
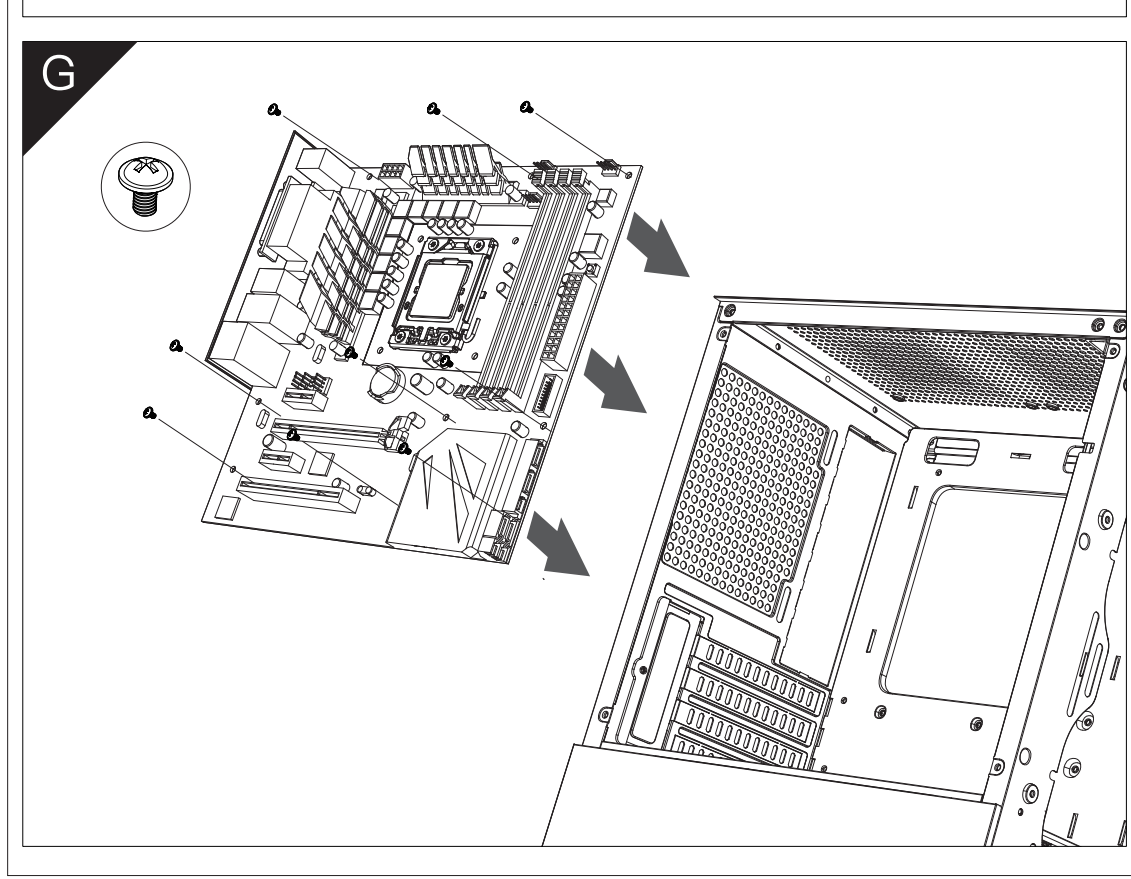
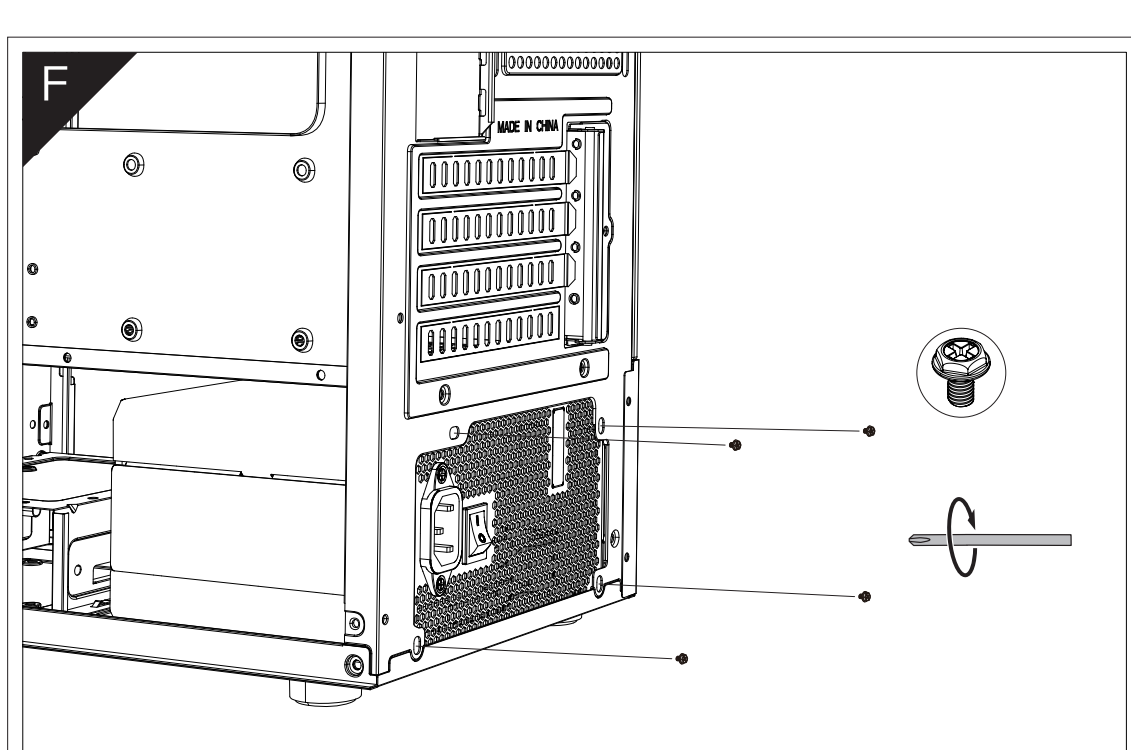
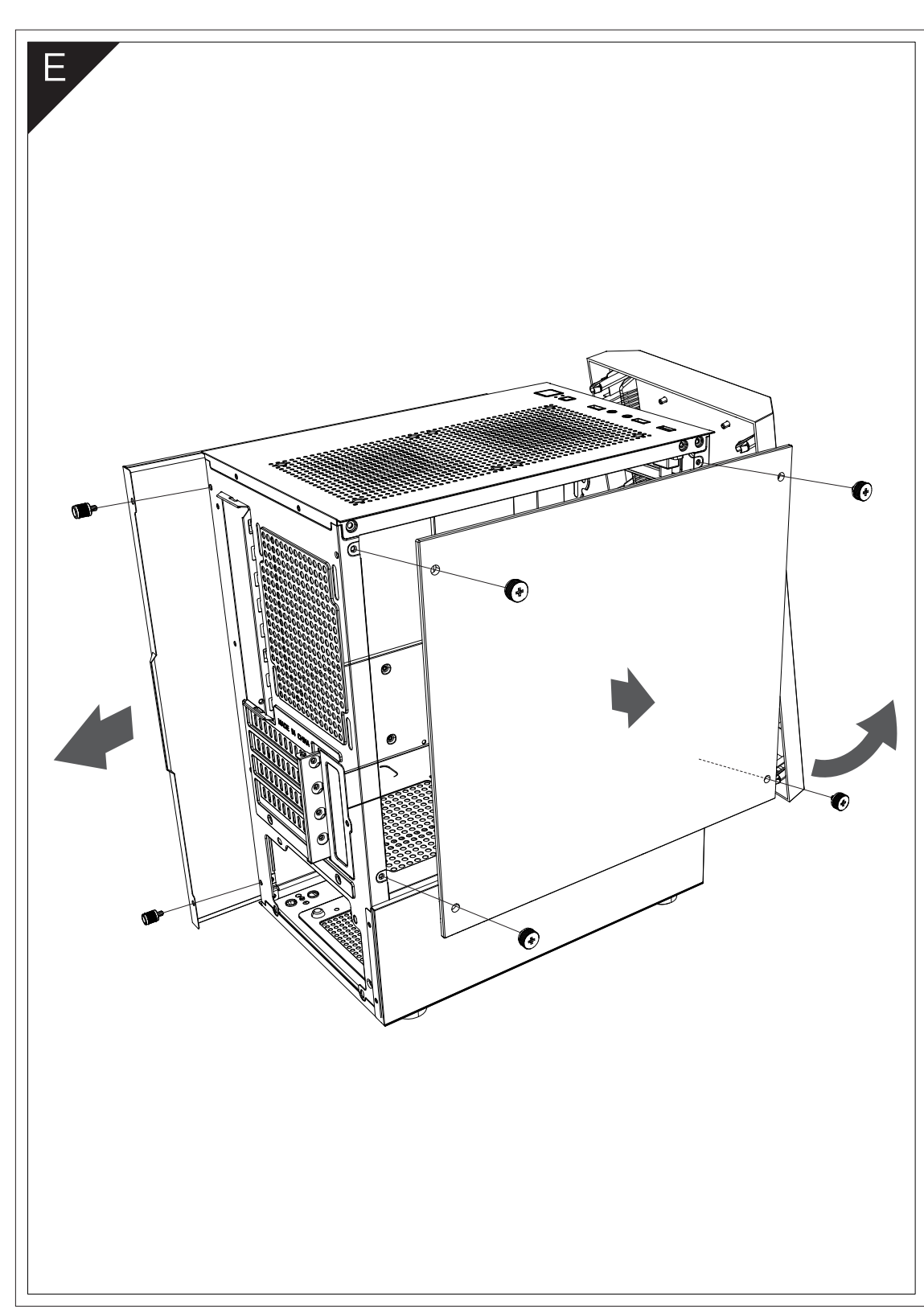
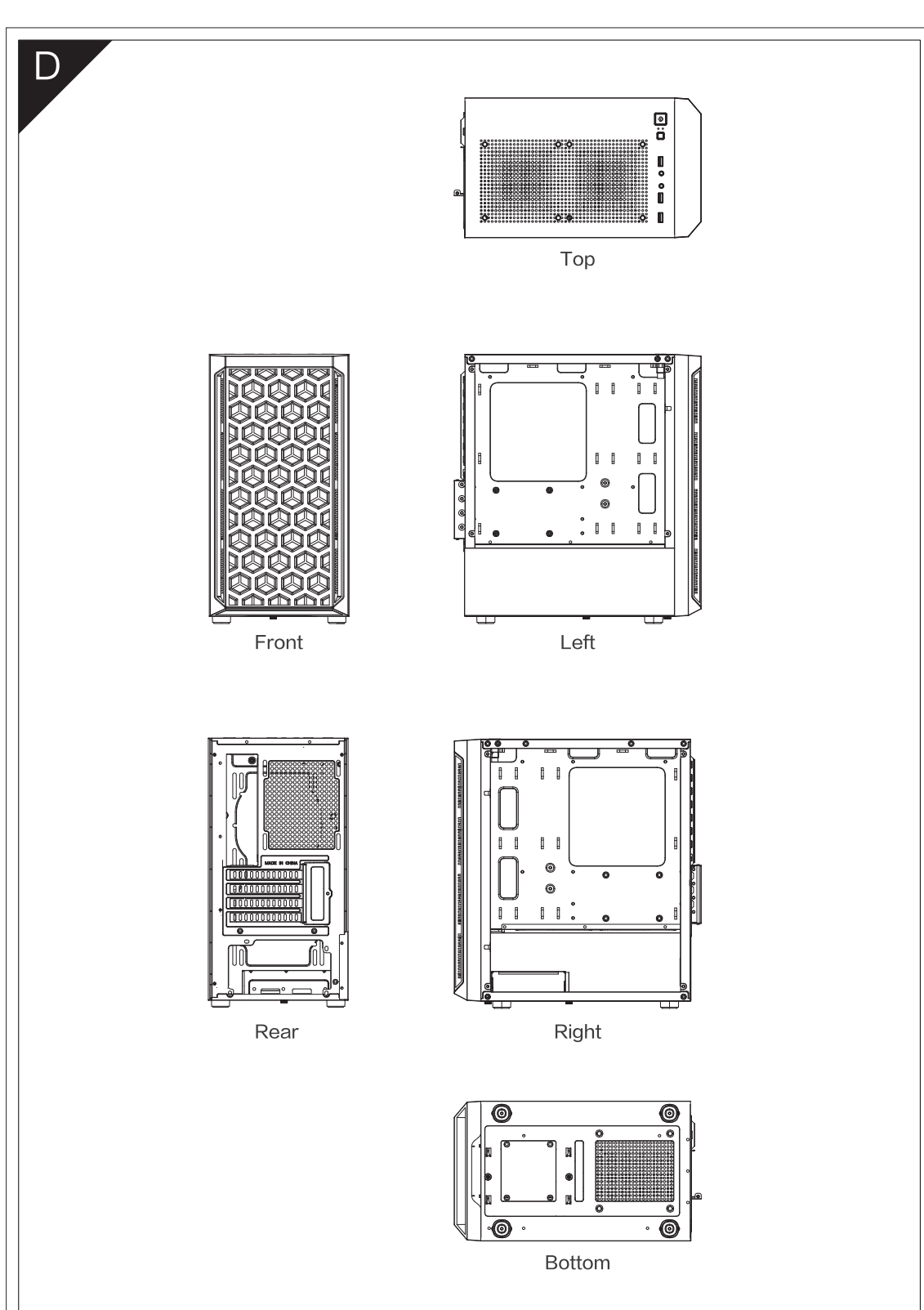
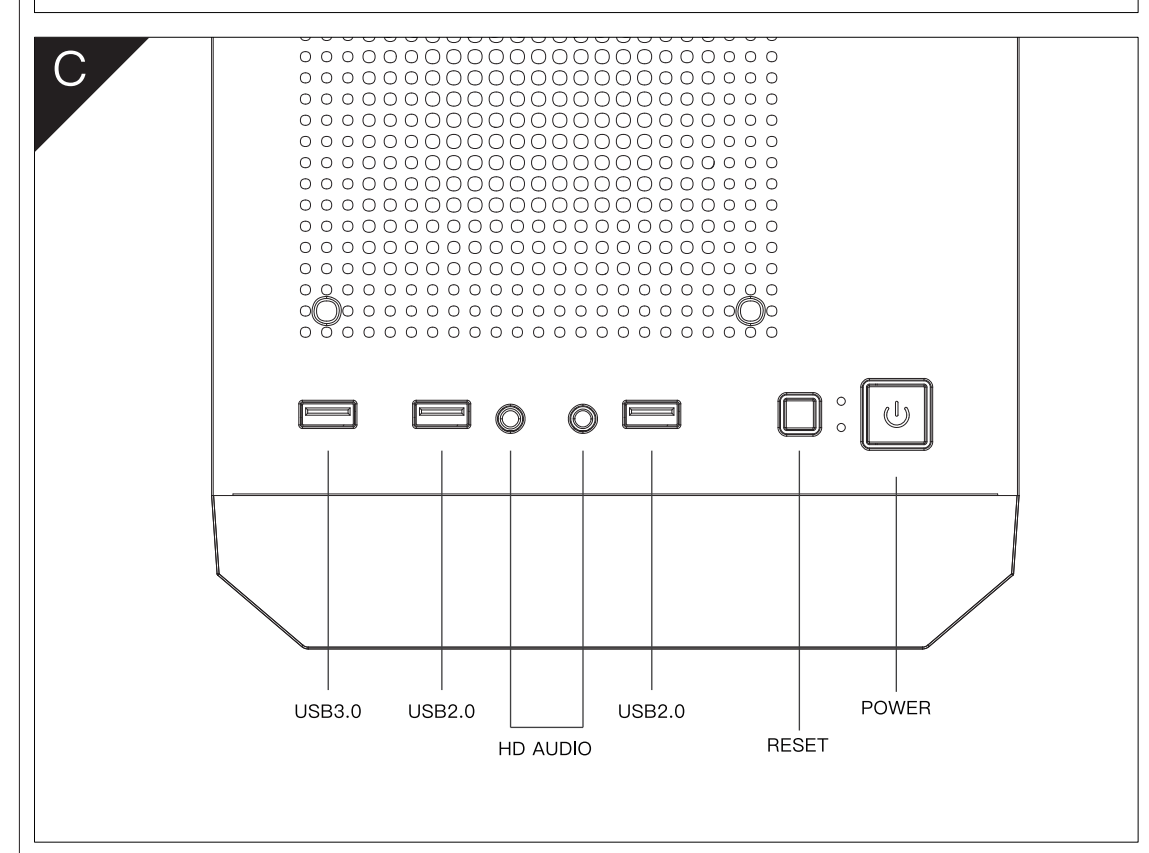
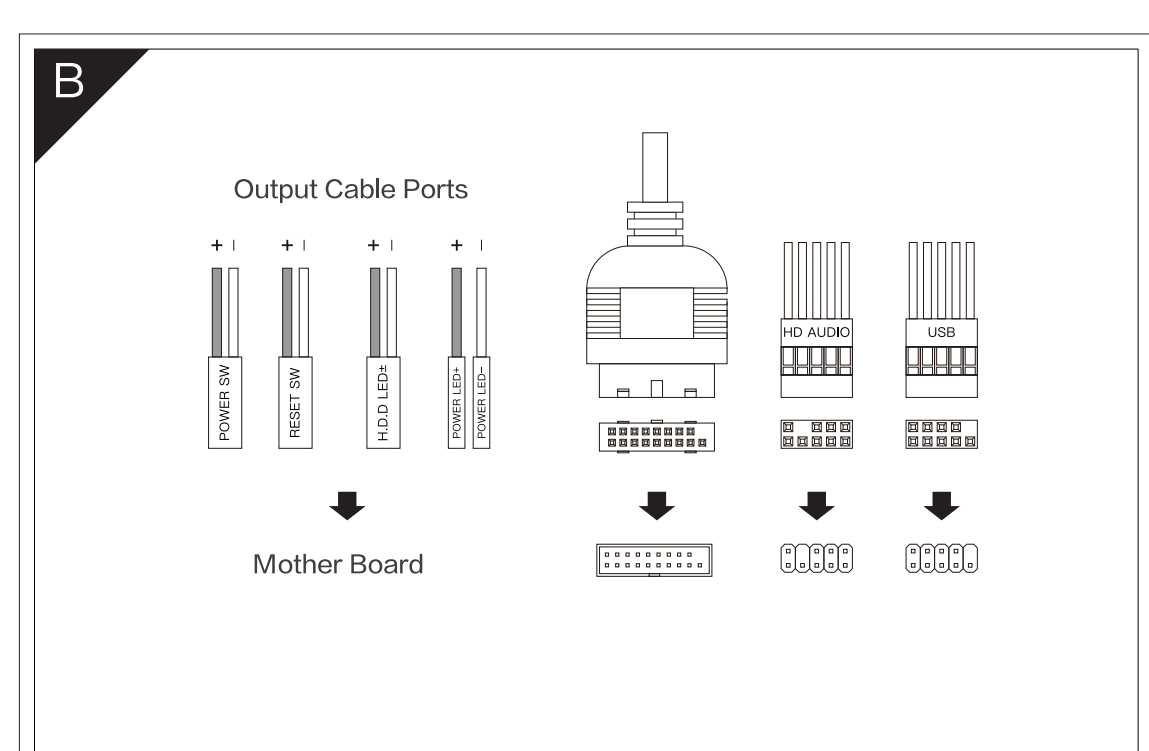


SPECIFICATIONS

Model Name	DK300M
Material	0.4mm SPCC
Motherboard	M-ATX / ITX
Hardware Size	300*200*375mm(W*H*D)
Case Size	340*200*385mm(W*H*D)
HDD	2
SSD	3
PCI Slots	4 Slots
Max. VGA card	280mm
Max. CPU Cooler	160mm
I/O	Power / Reset / USB3.0*1 / USB2.0*2 / HD AUDIO

A

- A: Accessory bag
- B: Cable
- C: I/O port
- D: Six angle picture
- E: Panel disassembly
- F: Power supply installation
- G: Motherboard installation
- H: VGA card installation
- I: System fan installation
- J: Water cooling installation
- K: HDD/SSD cover installation
- L: SSD installation
- M: HDD installation



darkFlash
DARKFLASH INFOTECH CO., LTD.
www.darkflash.com

facebook.com/darkFlash_global/
instagram.com/darkflash_official/
darkFlash_official