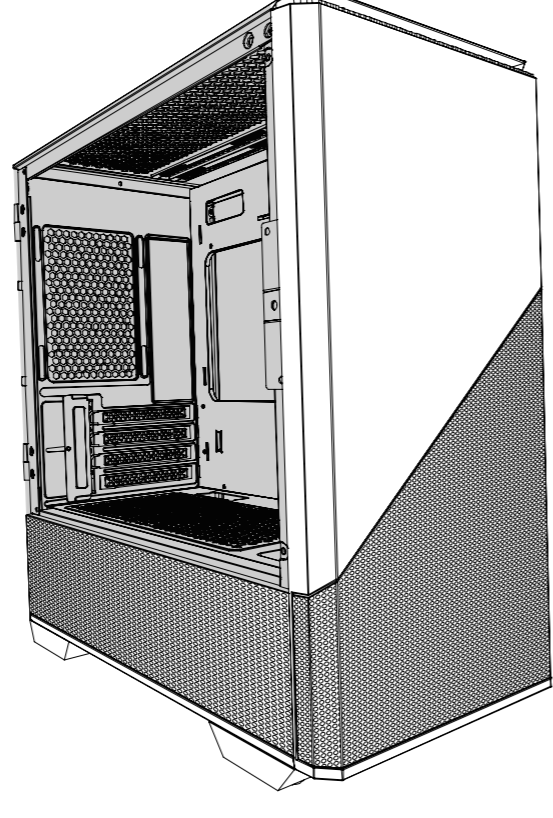


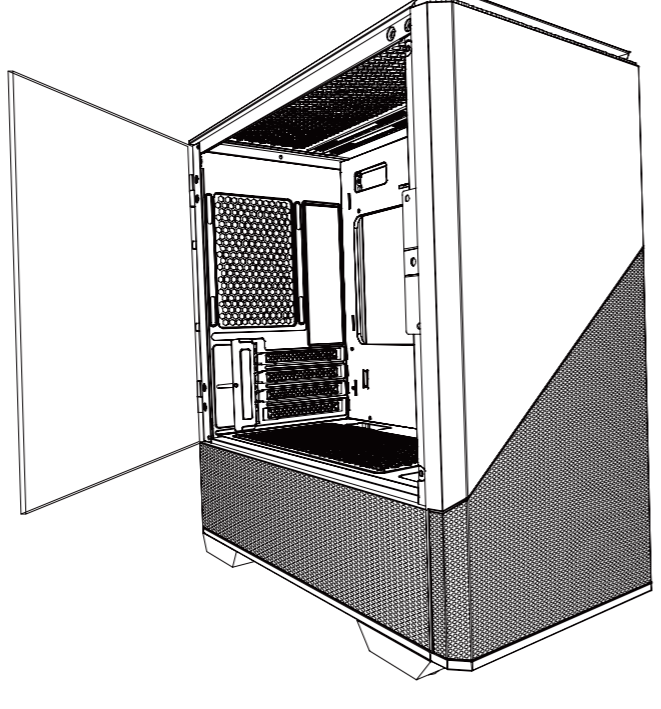


DLC31

LUXURY PC CHASSIS
TEMPERED GLASS SIDE PANEL



INSTALLATION GUIDE

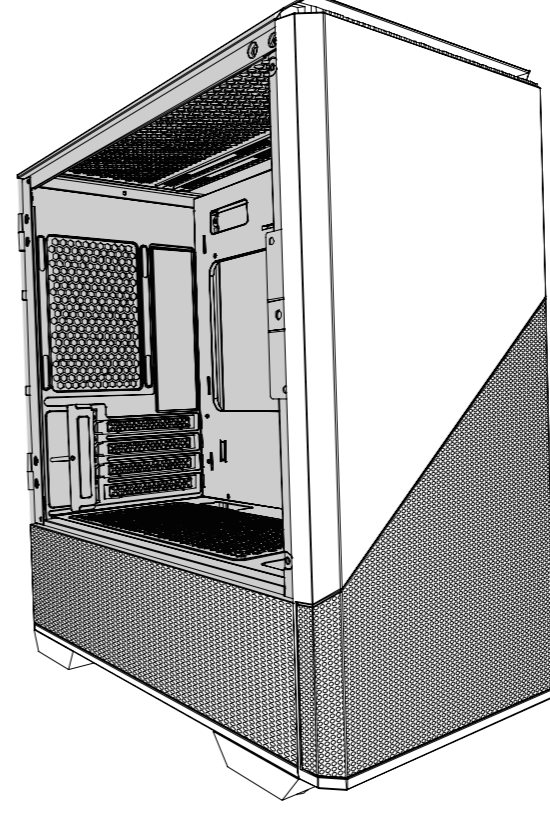


SPECIFICATIONS

Case Type	ATX
Material	0.6mm SPCC
Motherboard	ATX / M-ATX / ITX
Hardware Size	360*210*460mm(W*H*D)
Case Size	430*210*496mm(W*H*D)
HDD	1 / 2
SSD	4 / 3
PCI Slots	7 Slots
Max. VGA card	340mm
Max. CPU Cooler	160mm
I/O	Power / Reset / USB3.0*2 / HD AUDIO

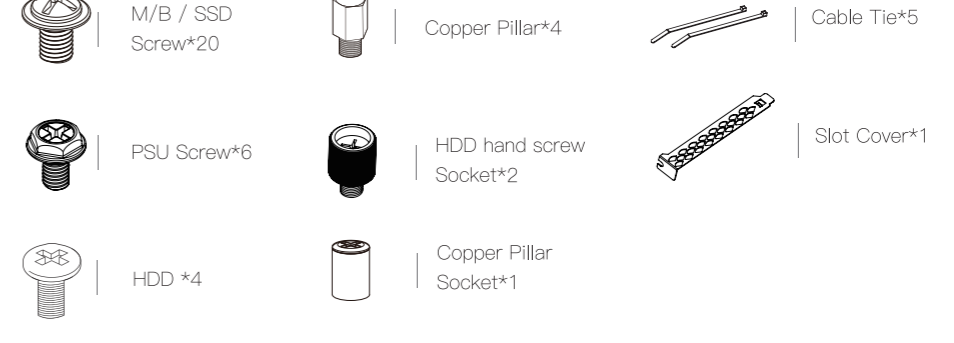


DLC31 LUXURY PC CHASSIS
TEMPERED GLASS SIDE PANEL



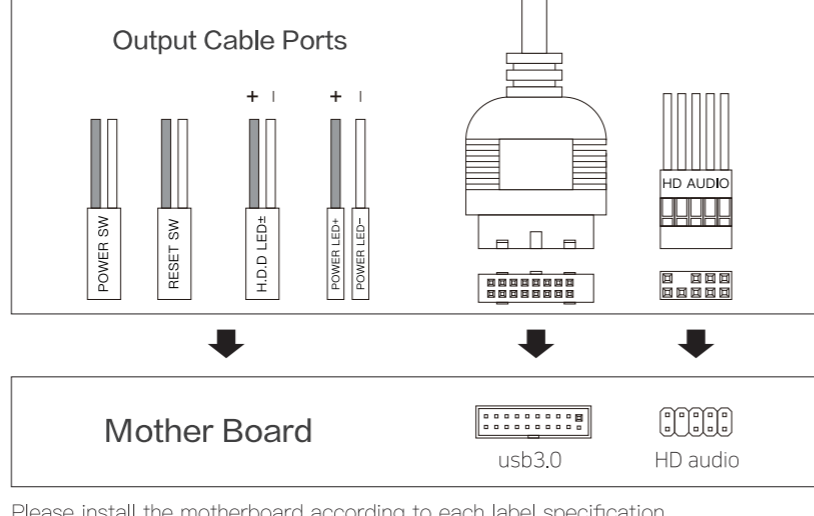
- A. Parts
- B. Cable
- C. I/O Interface
- D. Product Plan
- E. Pre-Build Preparation
- F. Power Supply Installation
- G. Motherboard Installation
- H. VGA Installation
- I. Fan Installation
- J. Cooling Installation
- K. Hard Drive Installation

A

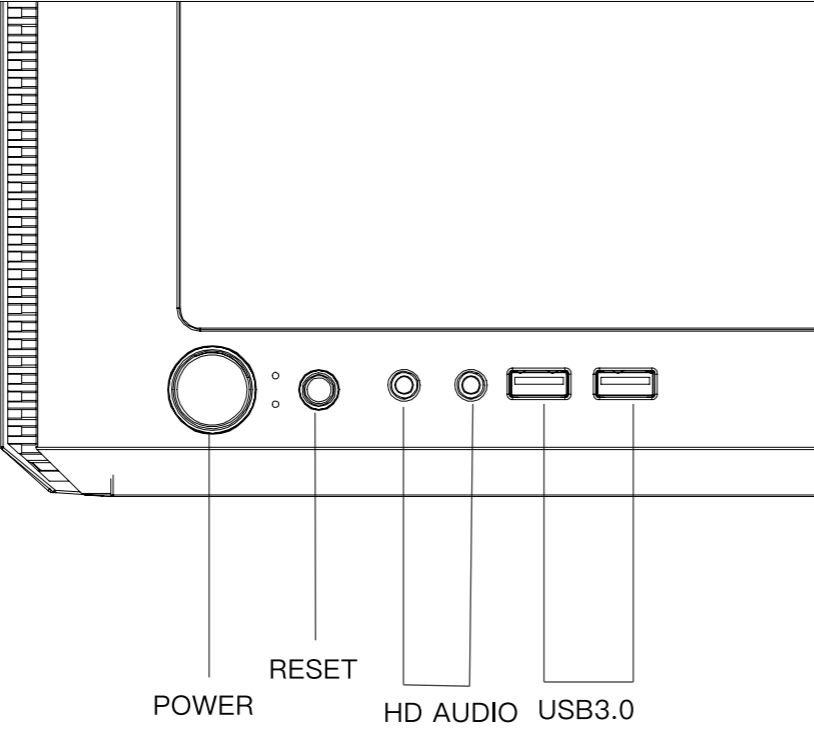


B

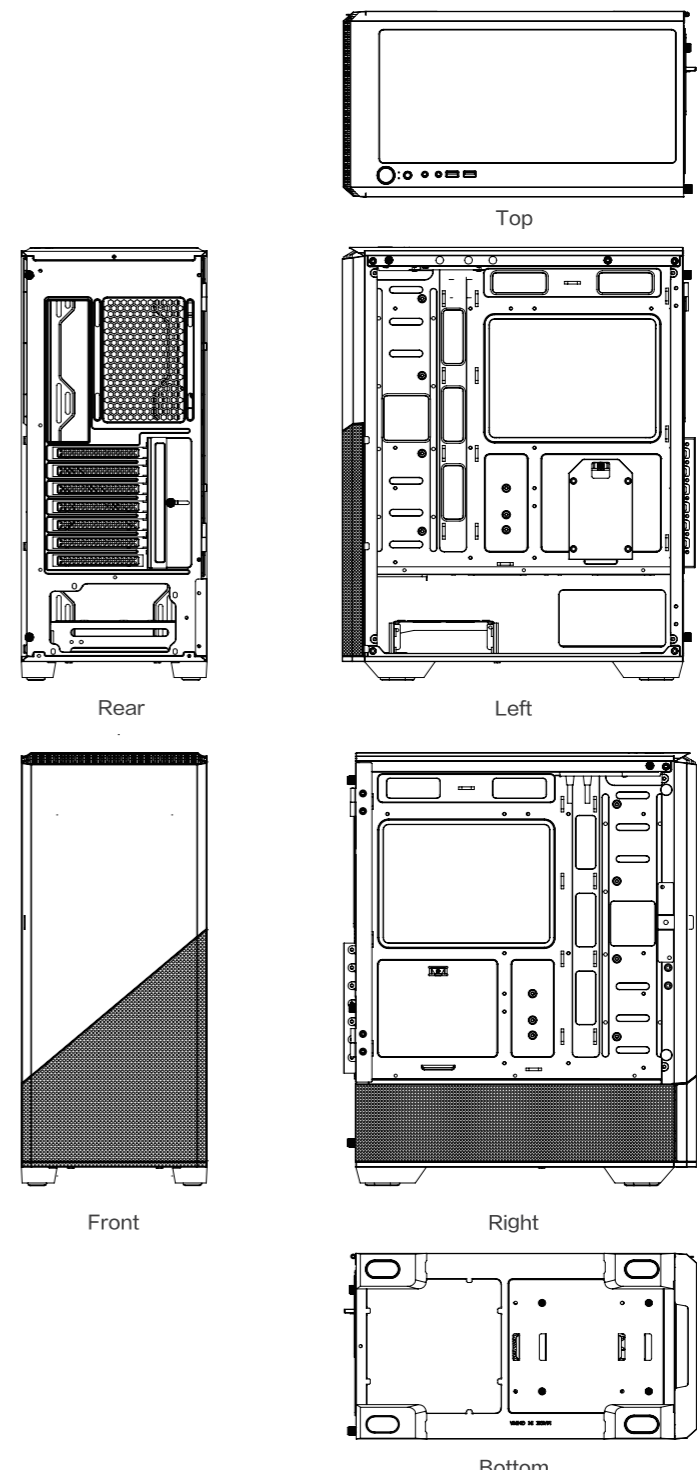
Case Interface



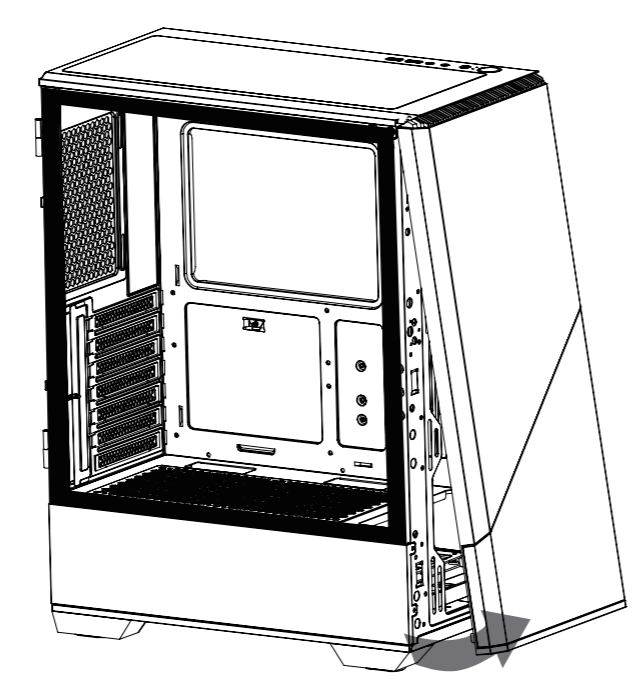
C



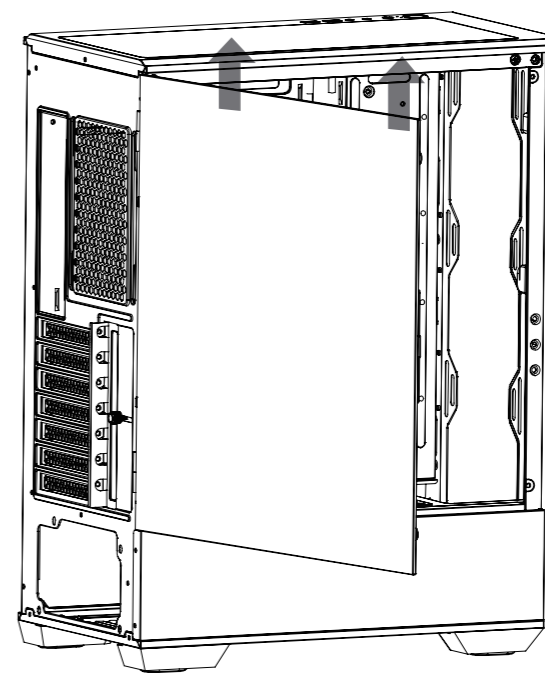
D



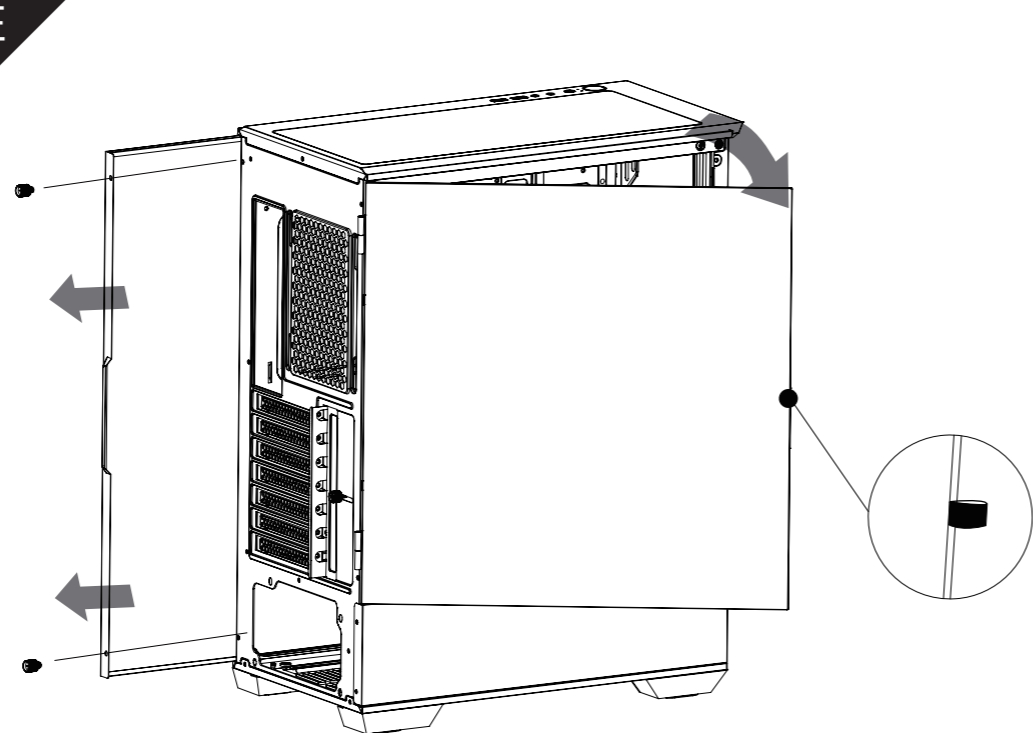
E



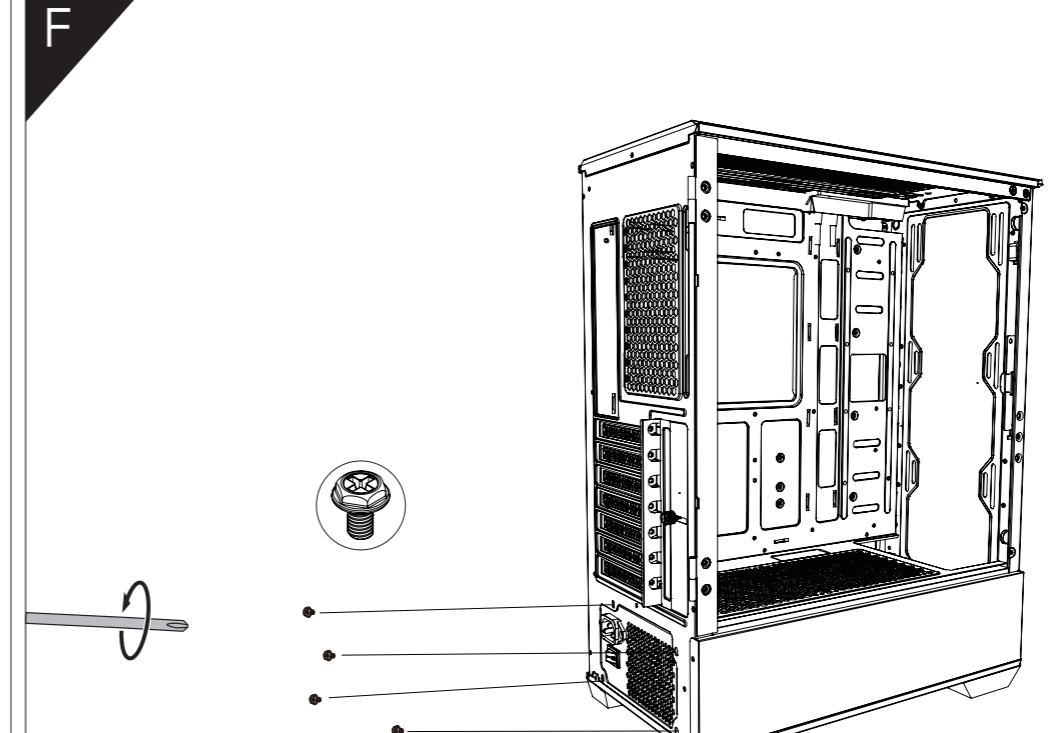
E



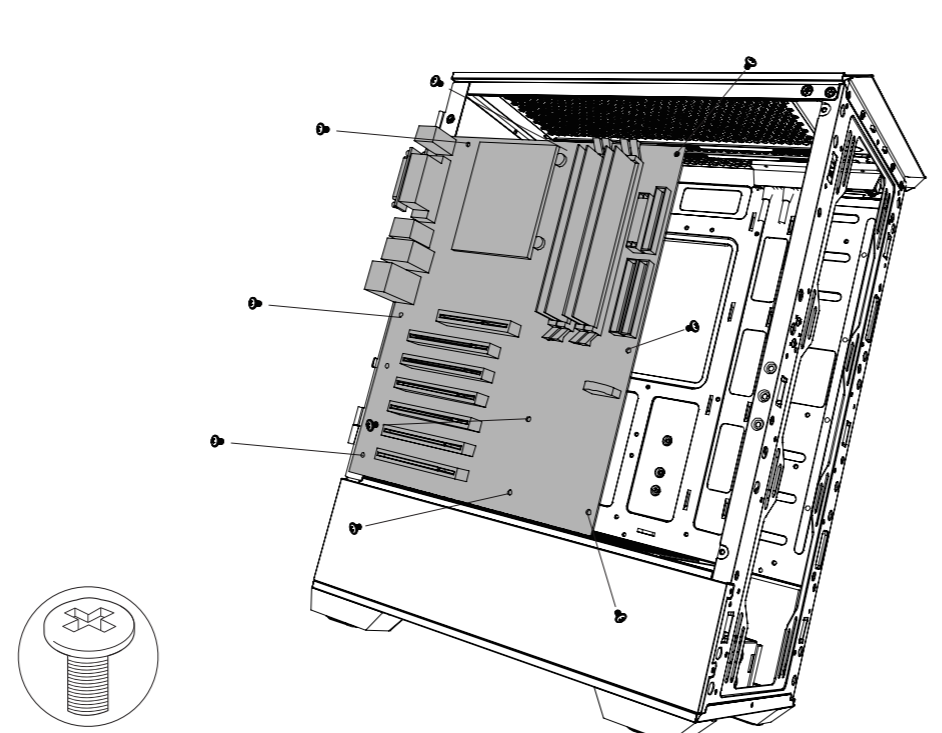
E



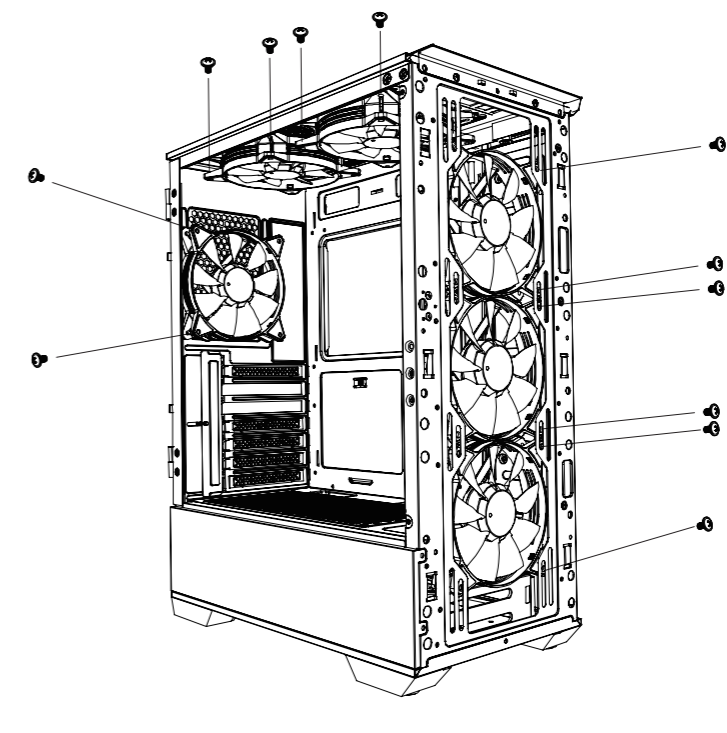
F



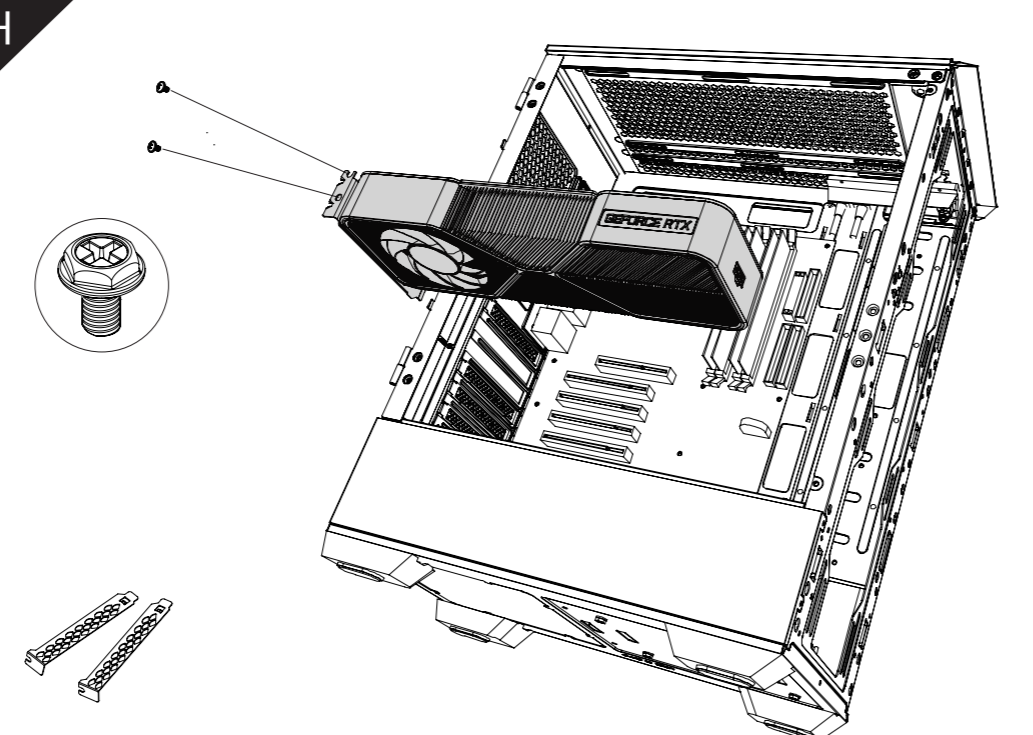
G



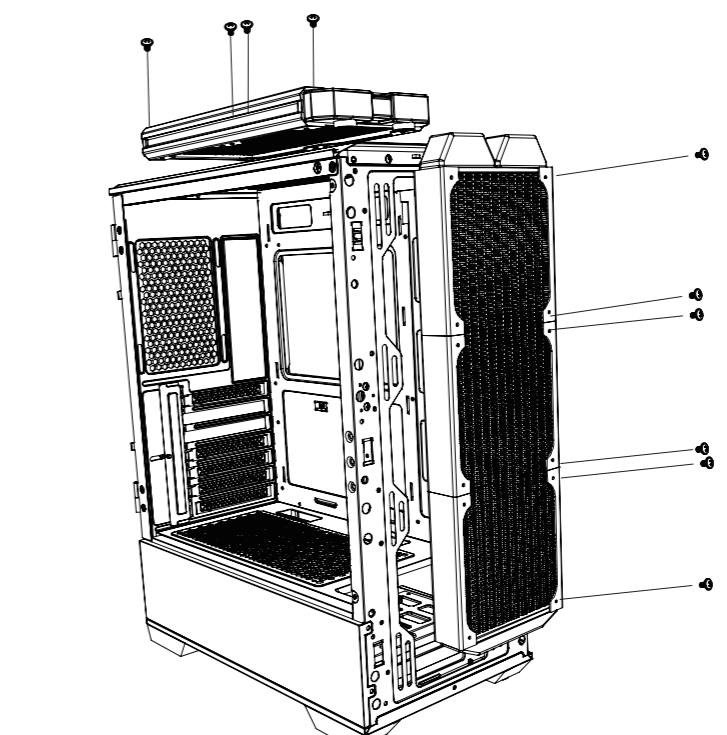
I



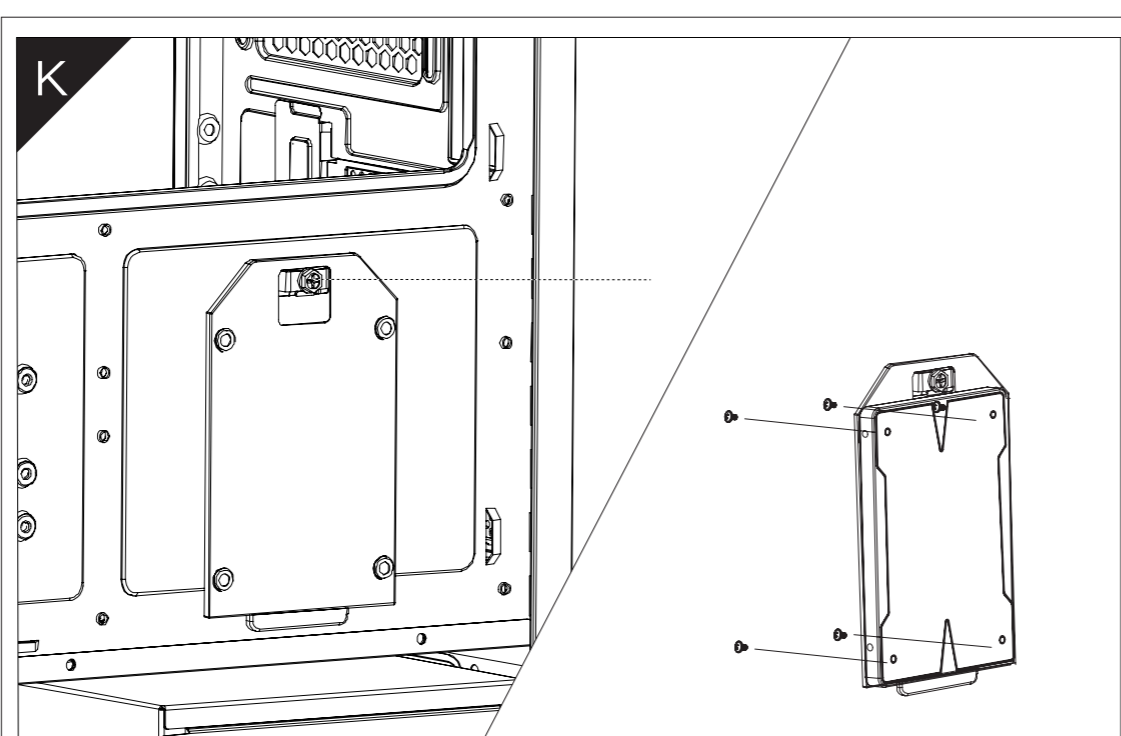
H



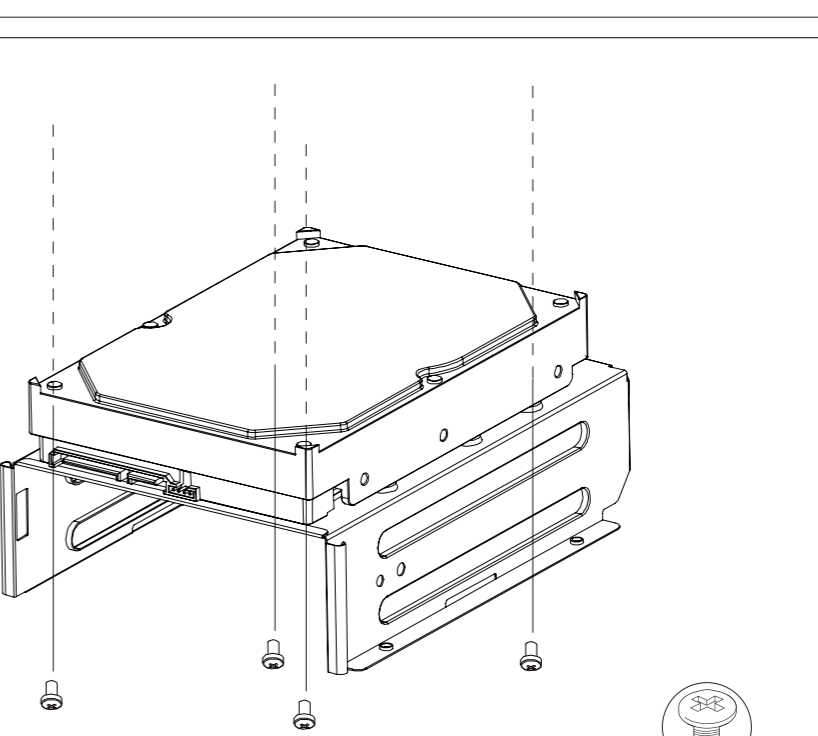
J



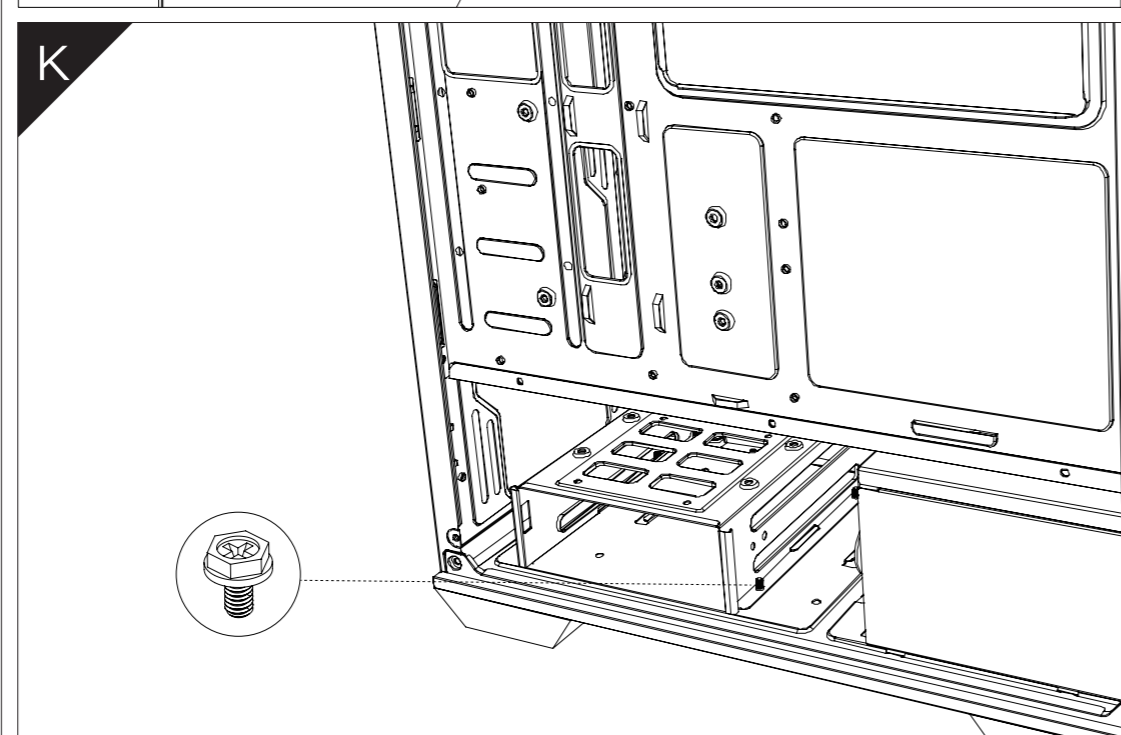
K



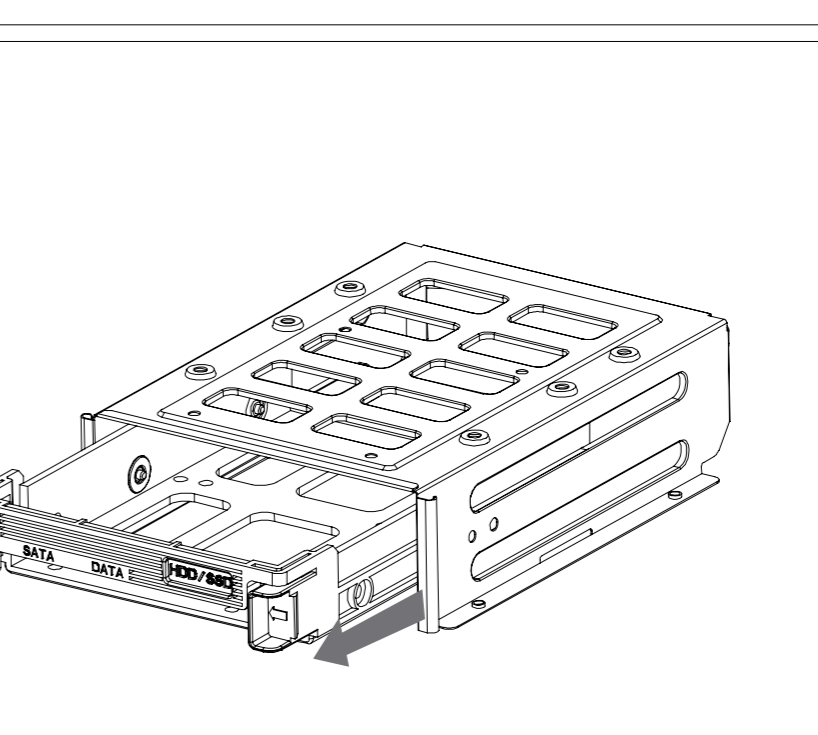
K



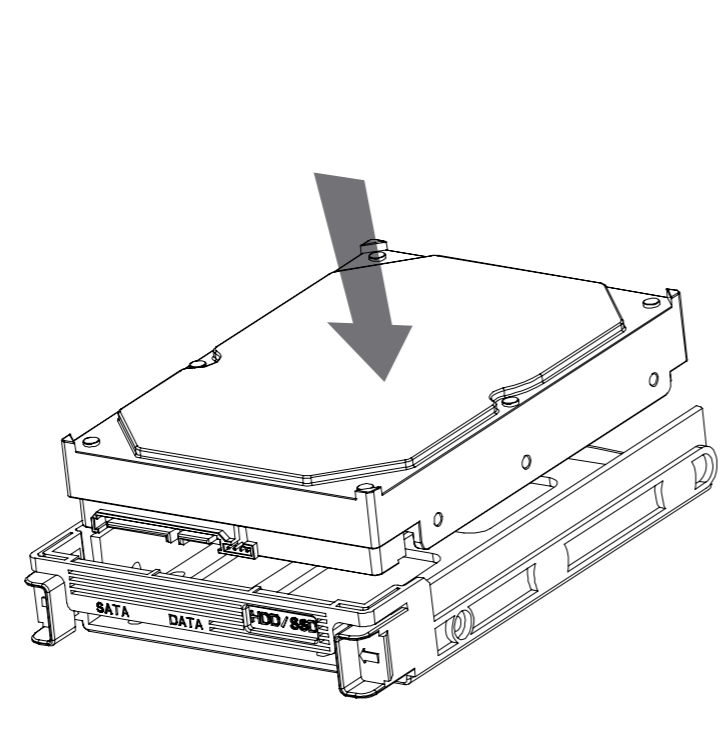
K



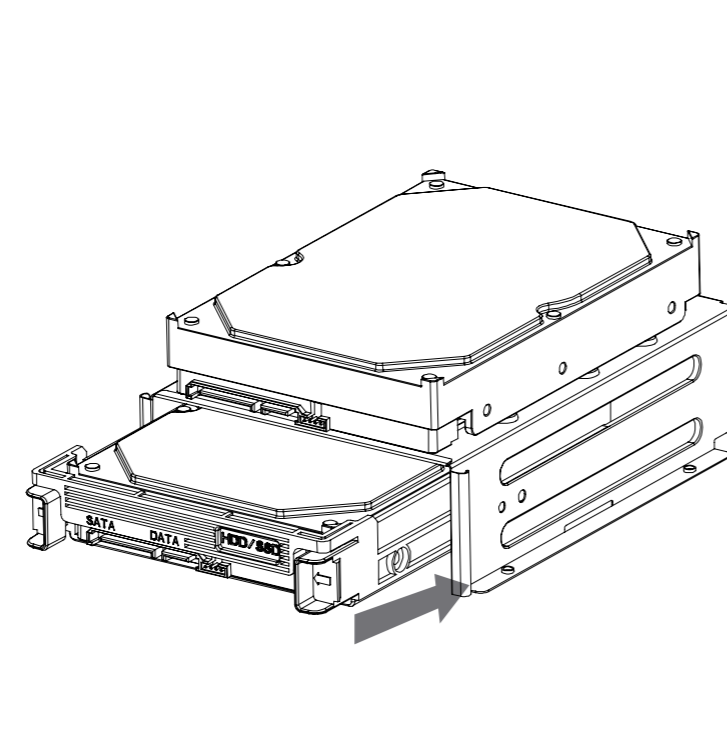
K



K



K



www.darkflash.com

Fly to unlimited!



DARKFLASH INFOTECH CO., LTD.
www.darkflash.com