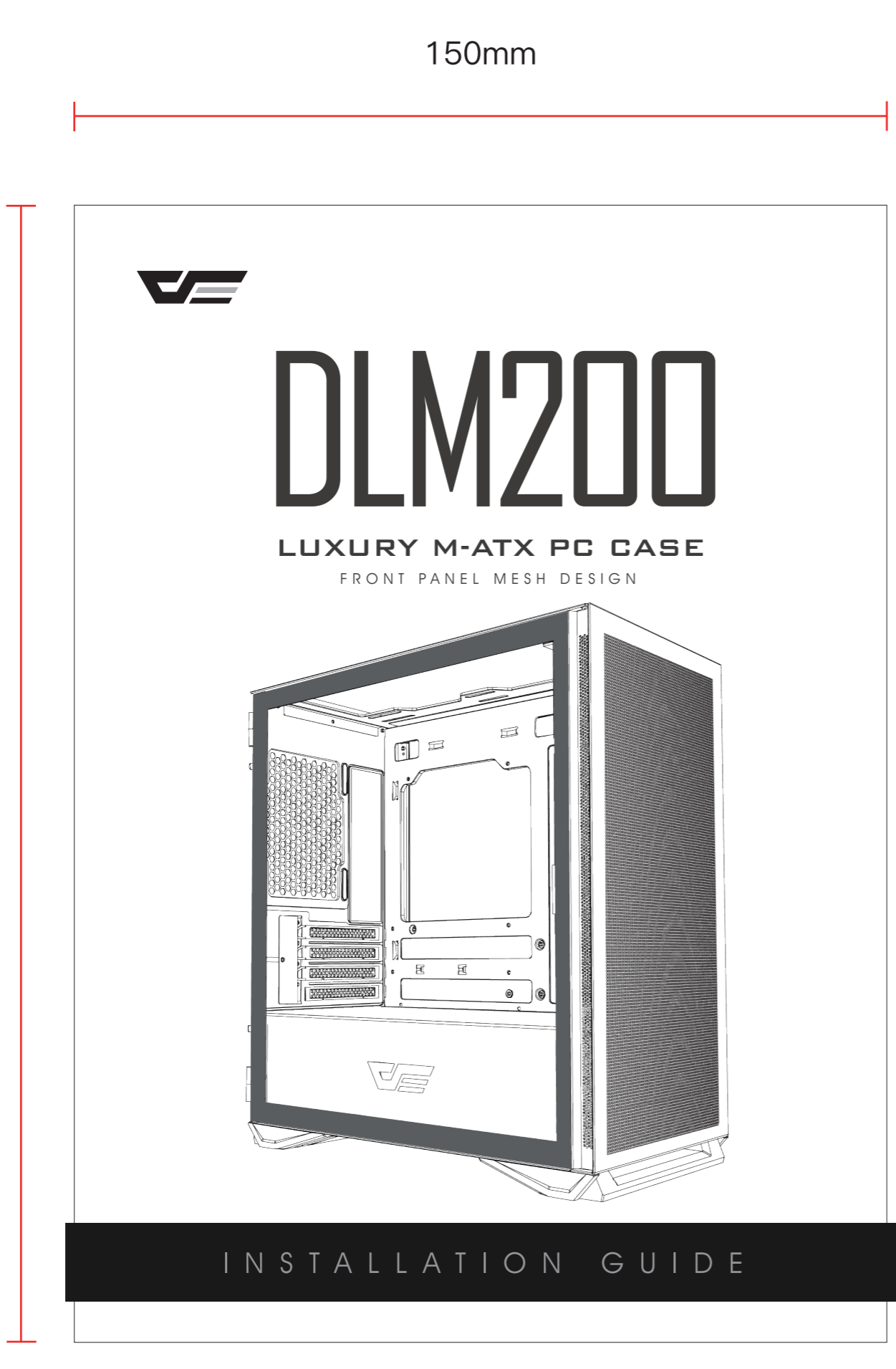


负责设计	负责业务	产品部负责人	外销负责人	总裁助理
赖学斌				

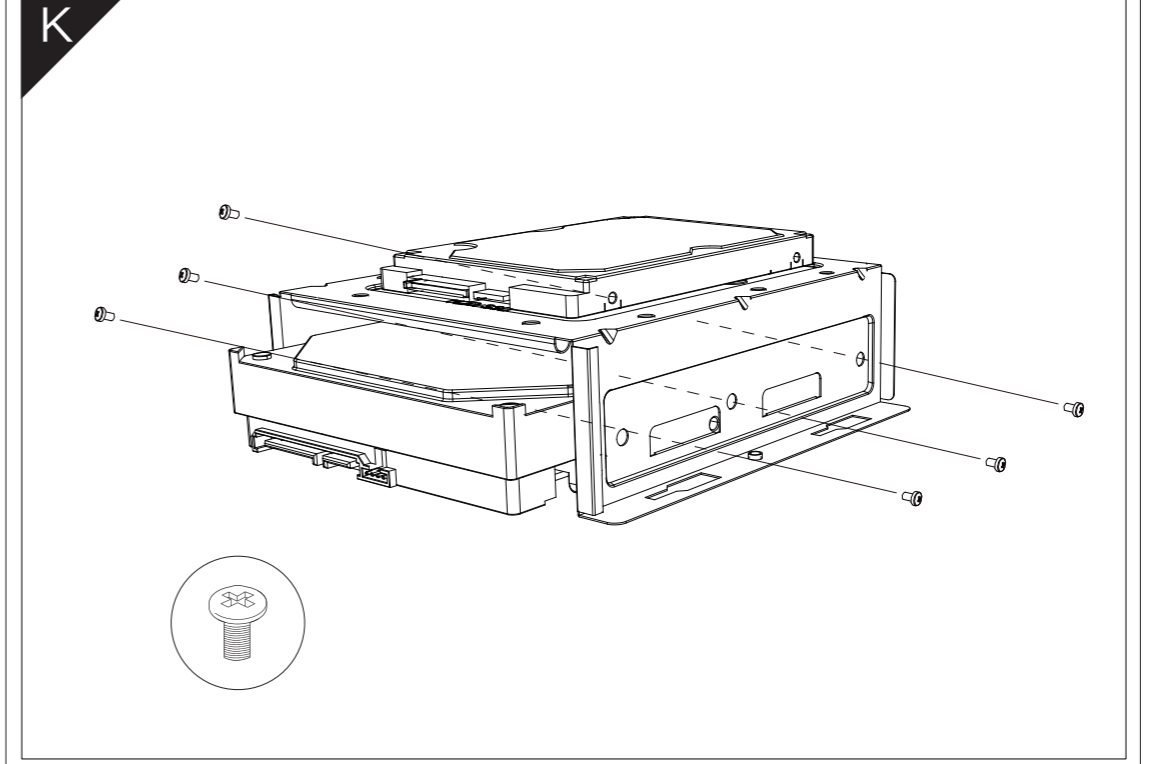
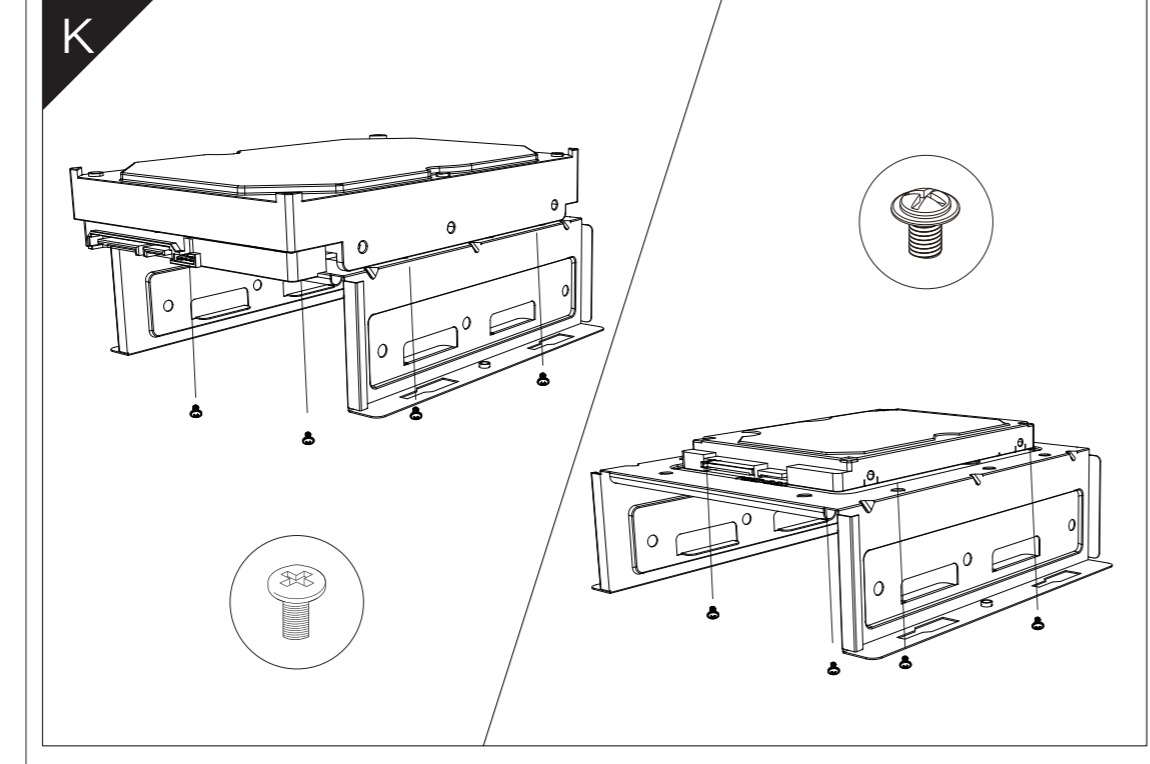
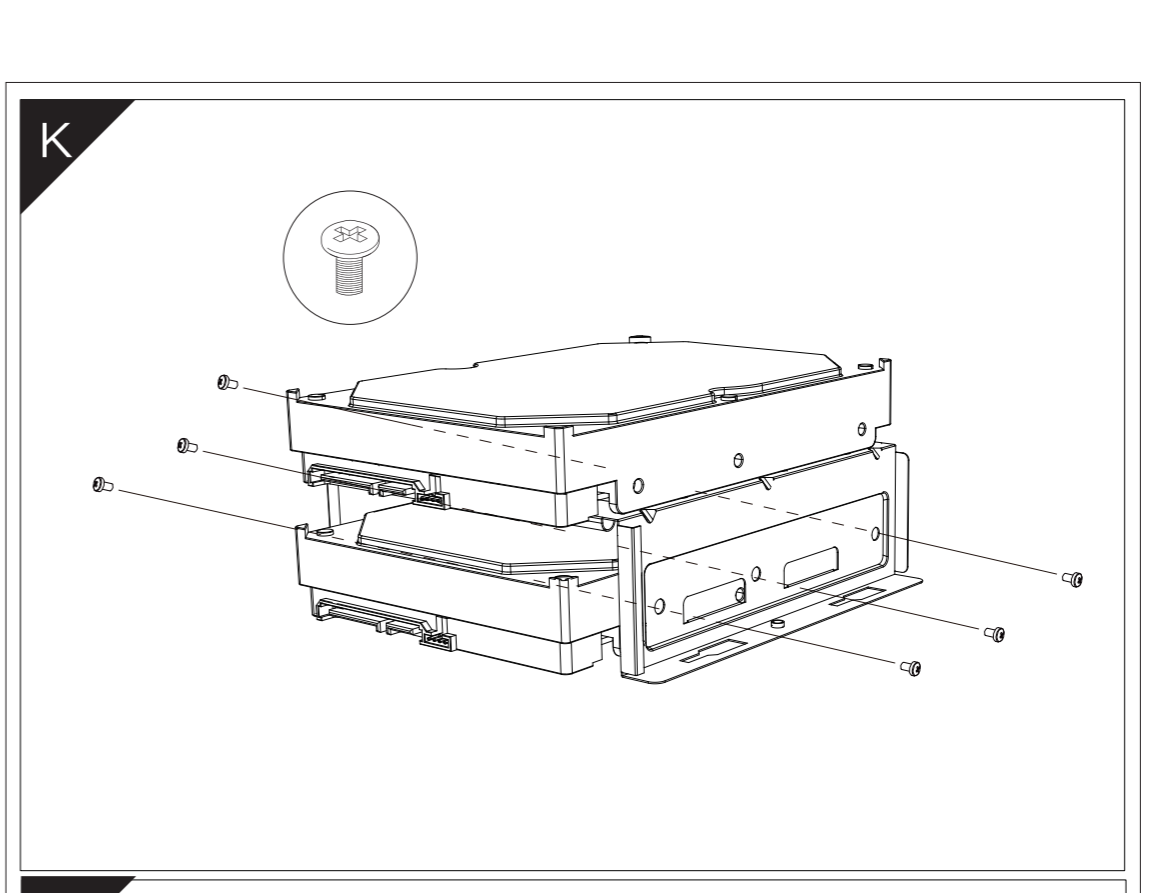
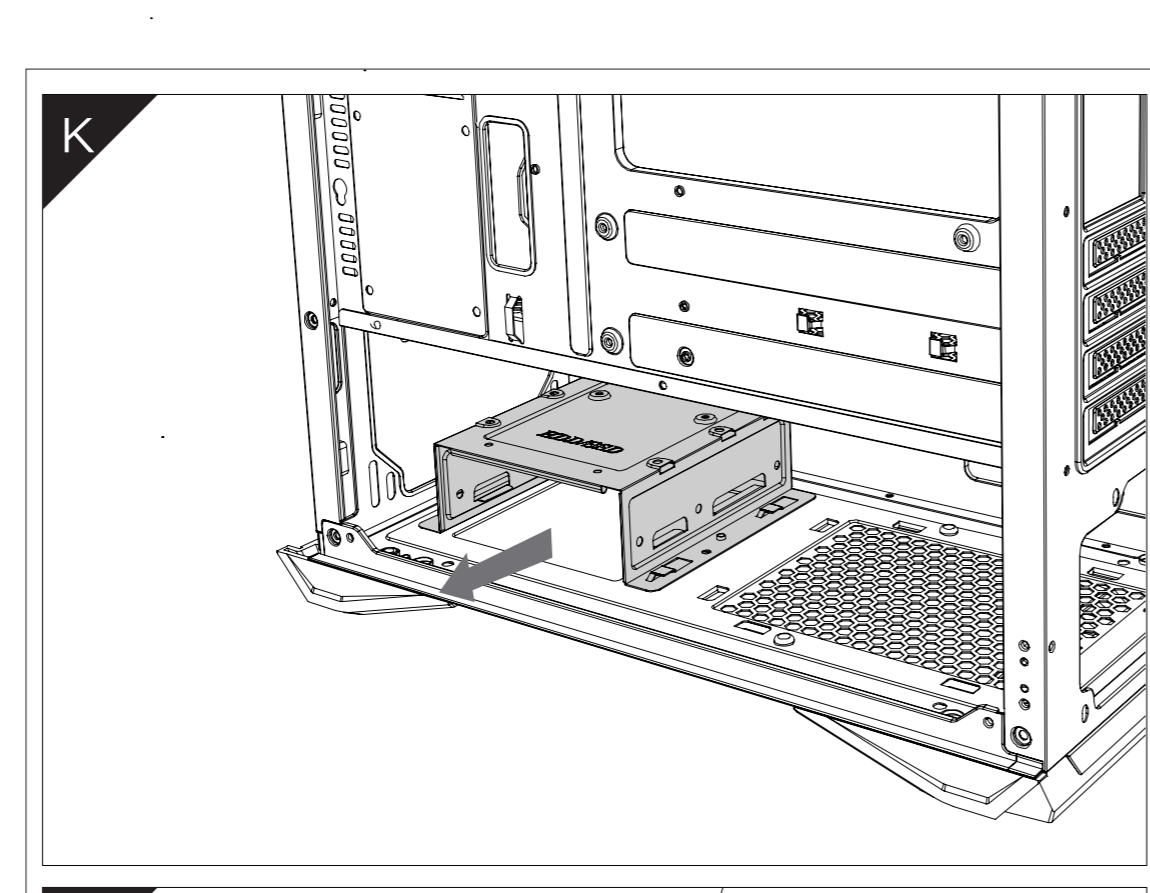
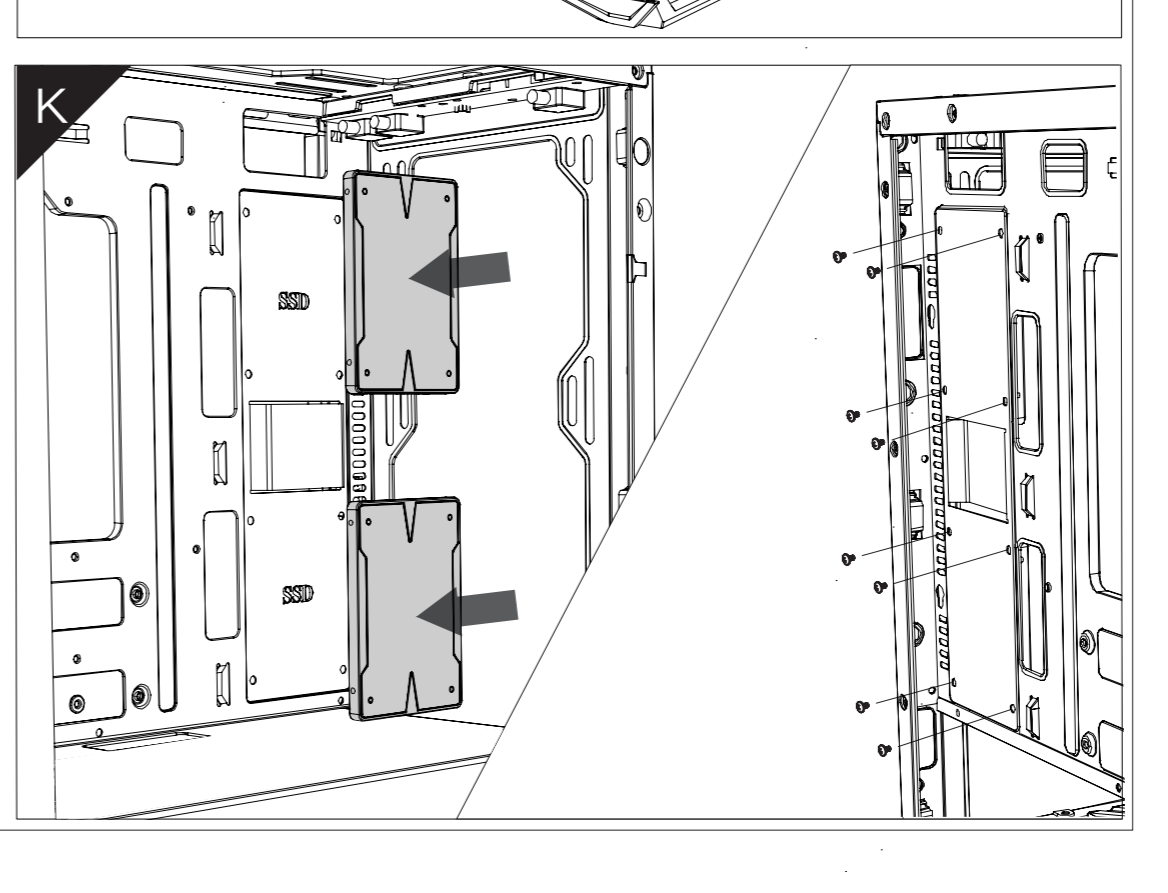
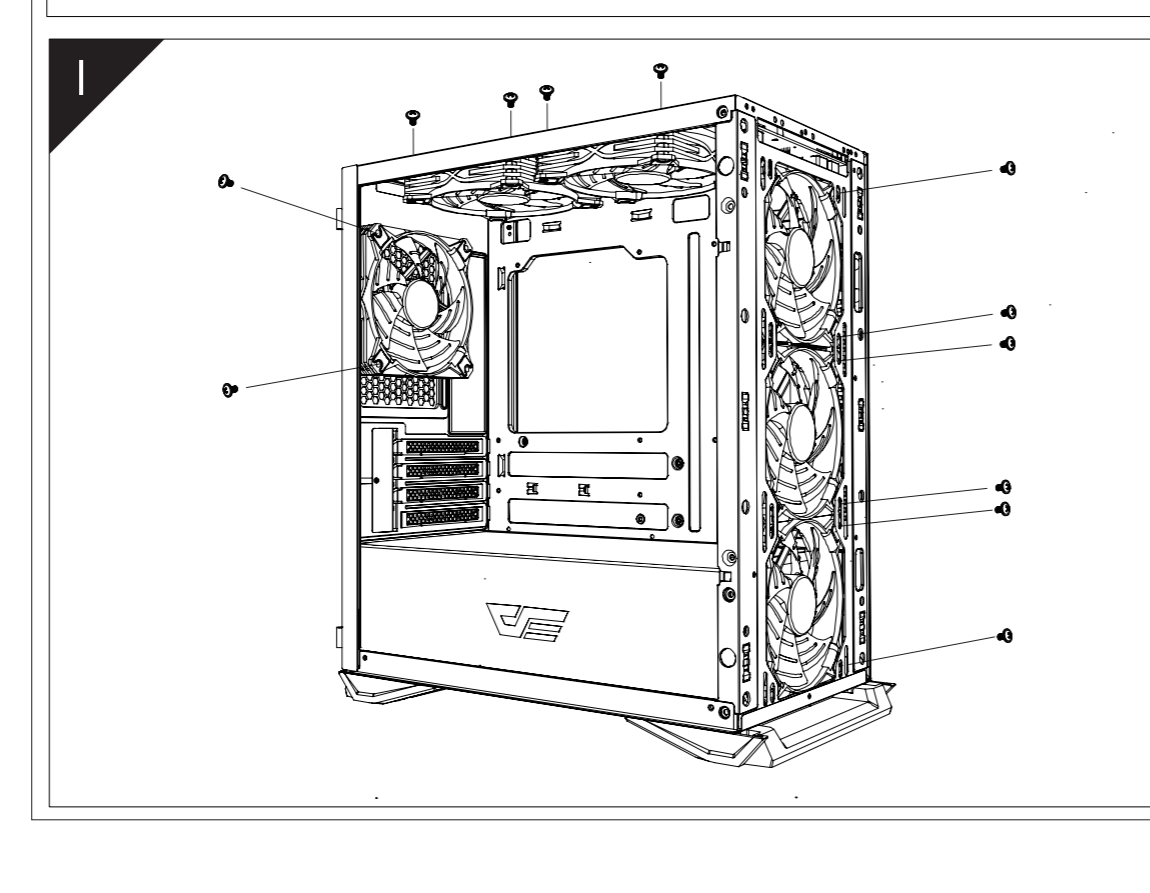
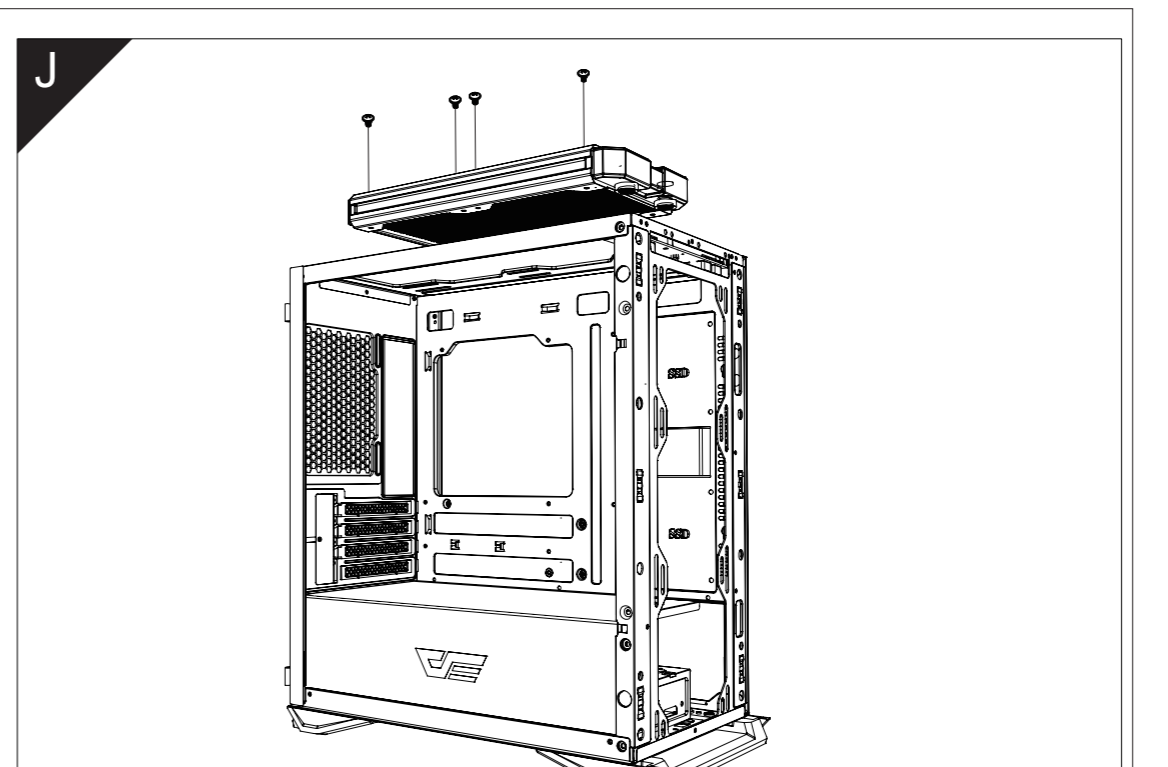
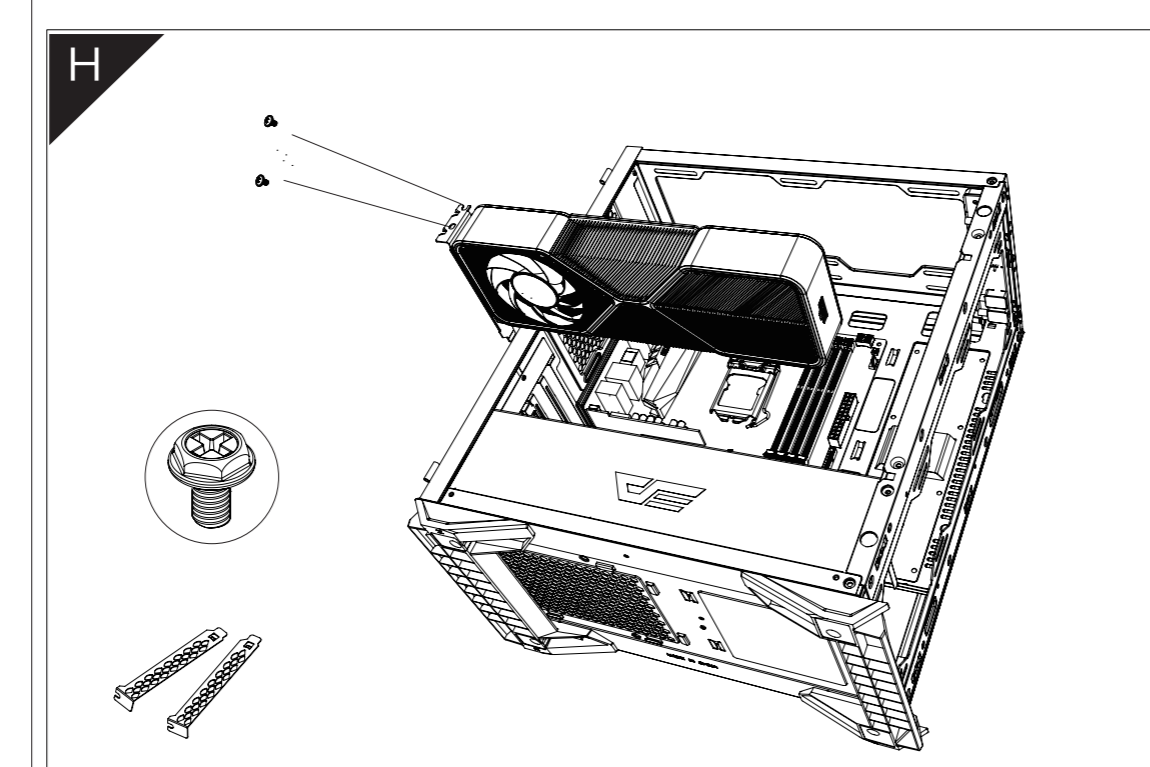
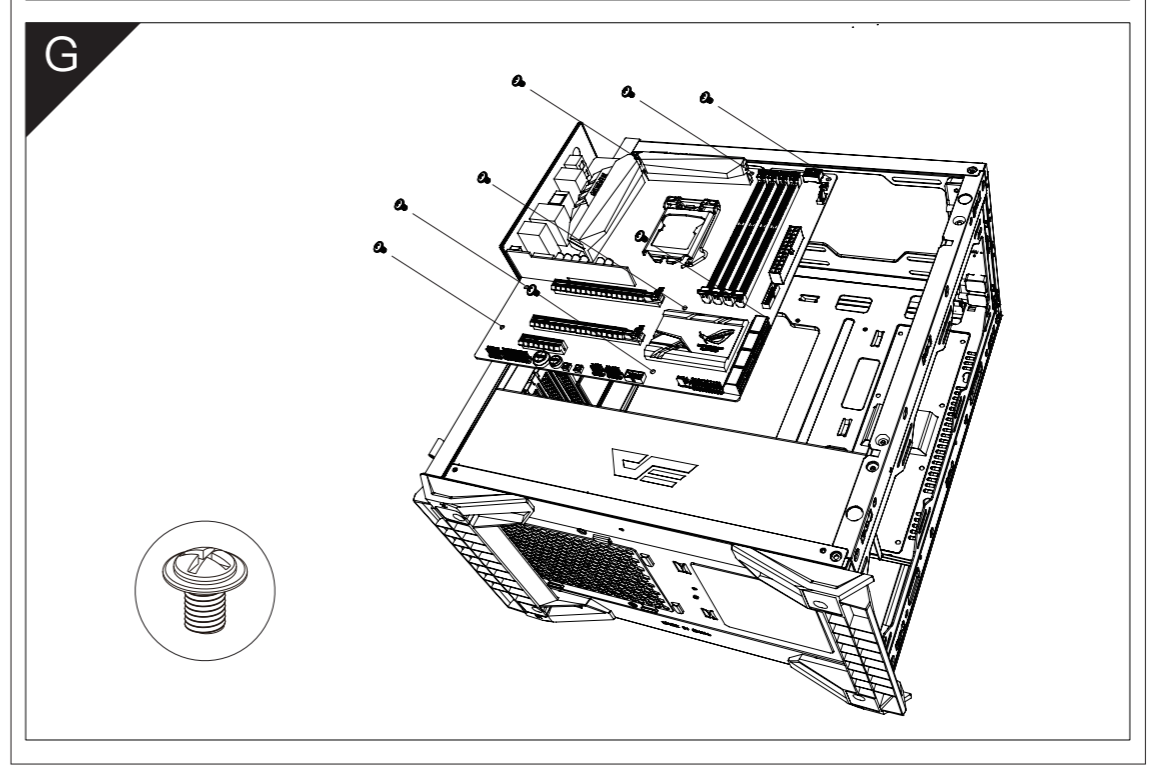
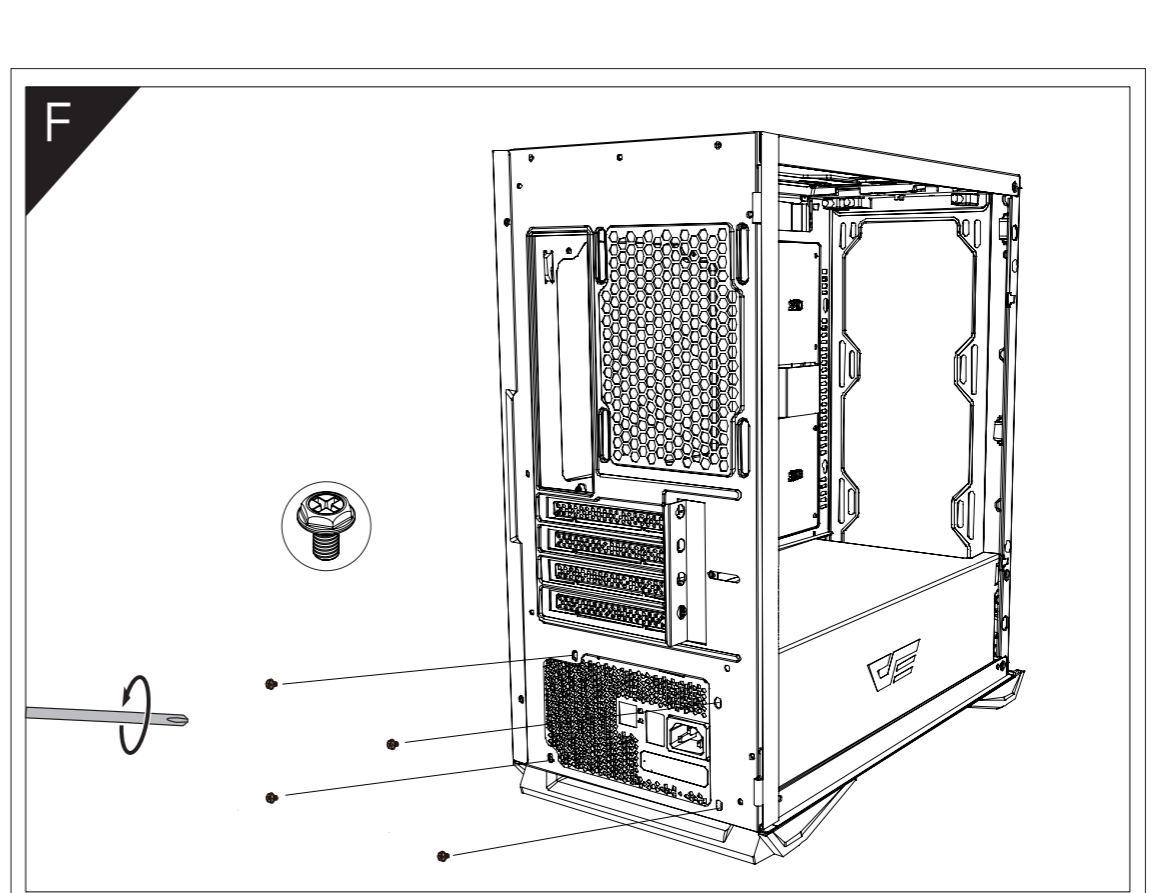
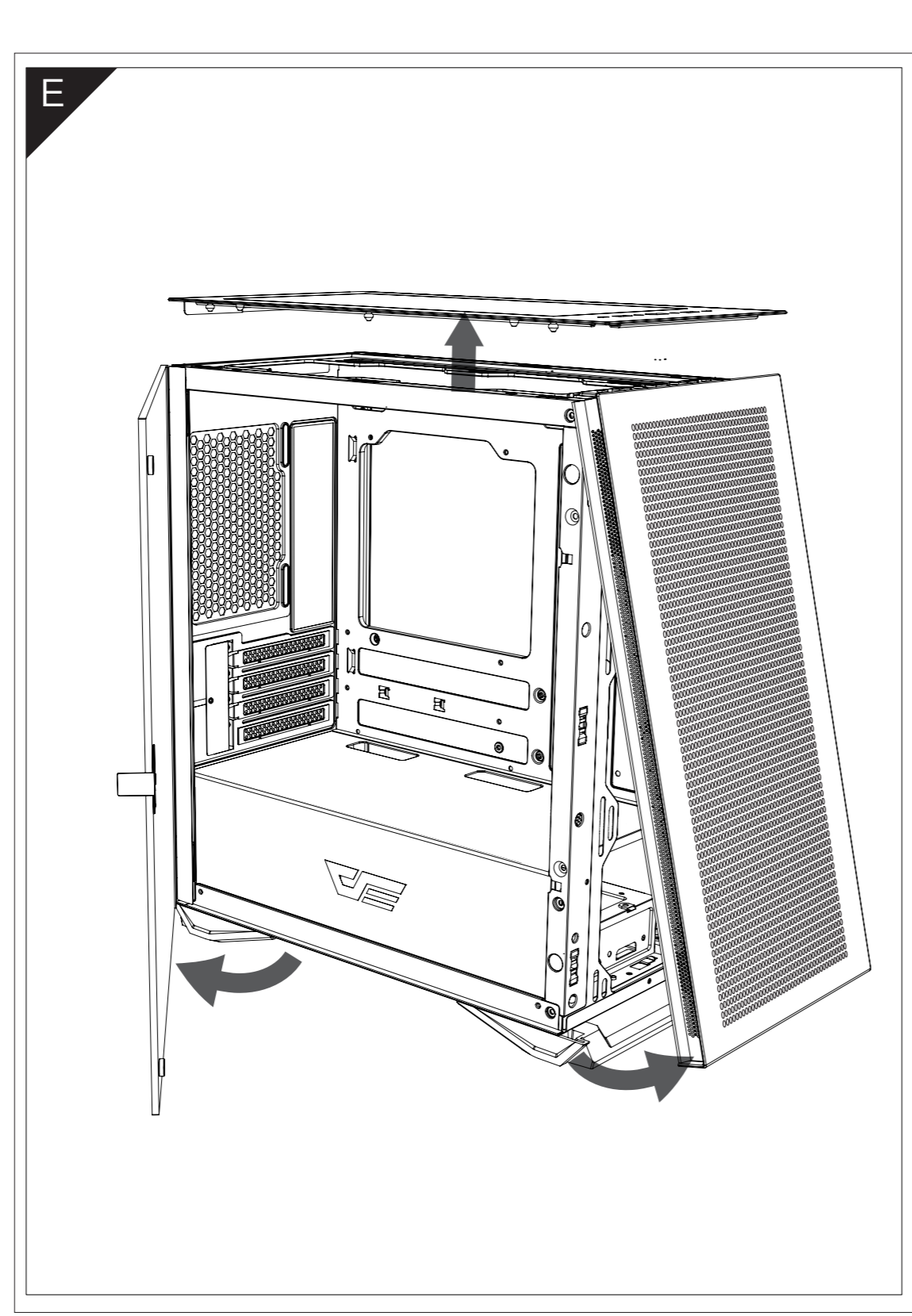
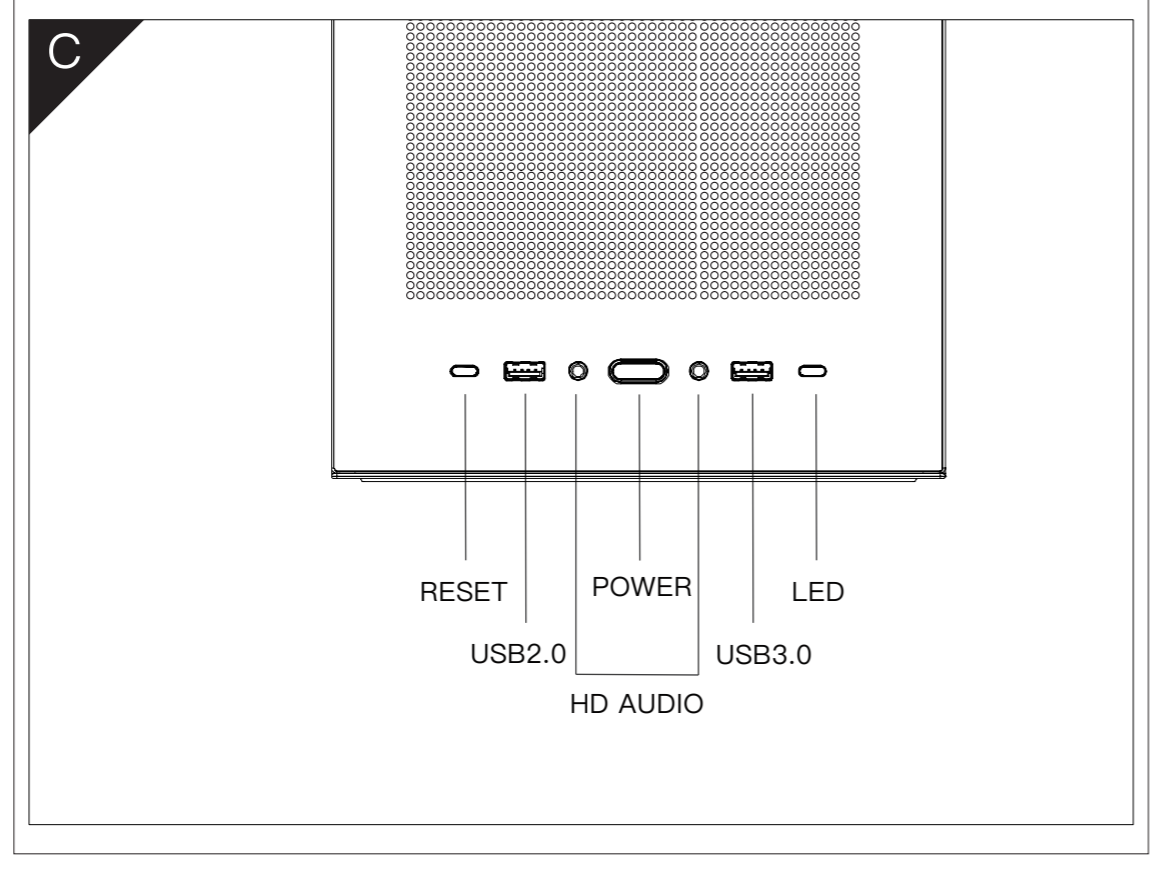
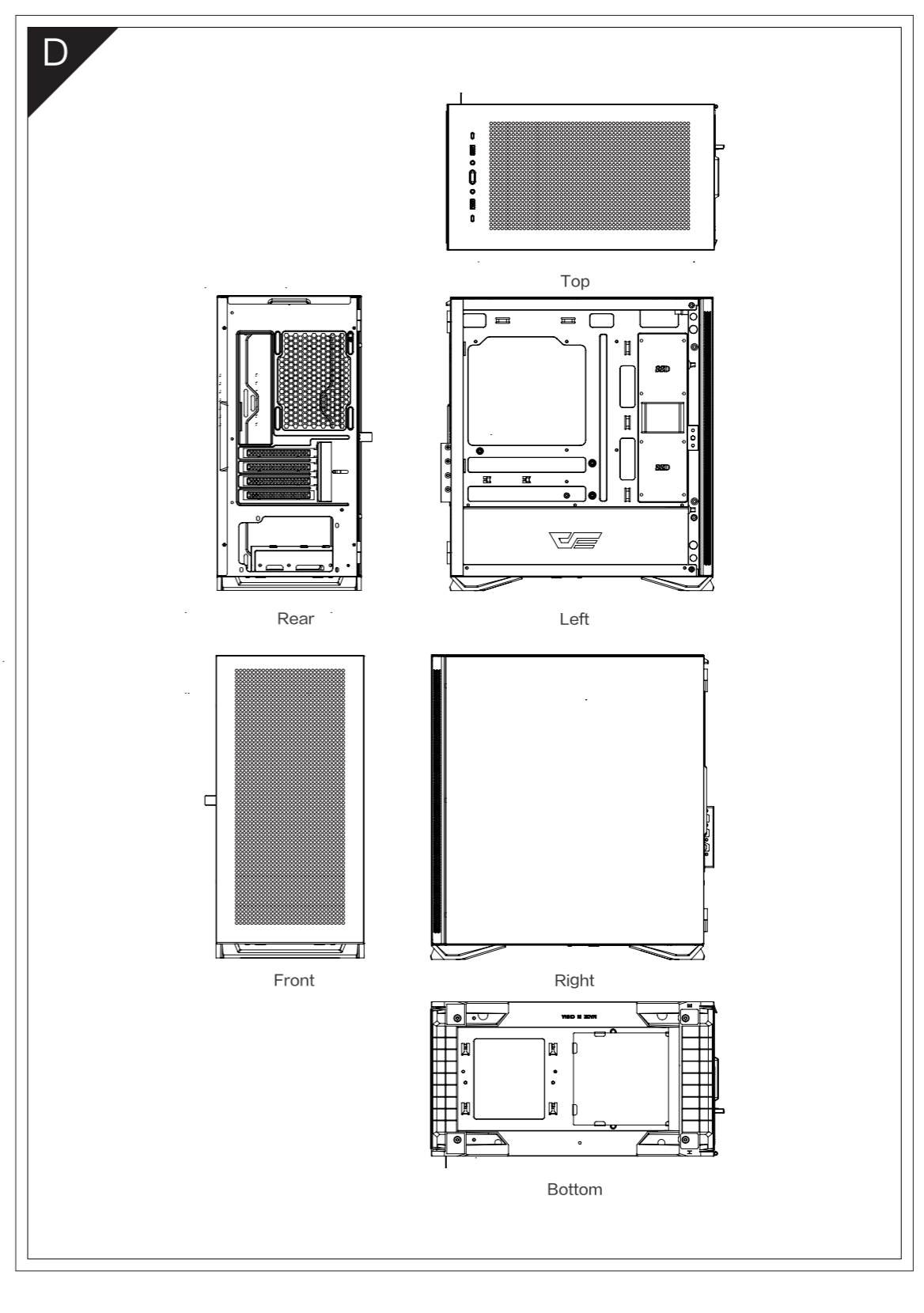
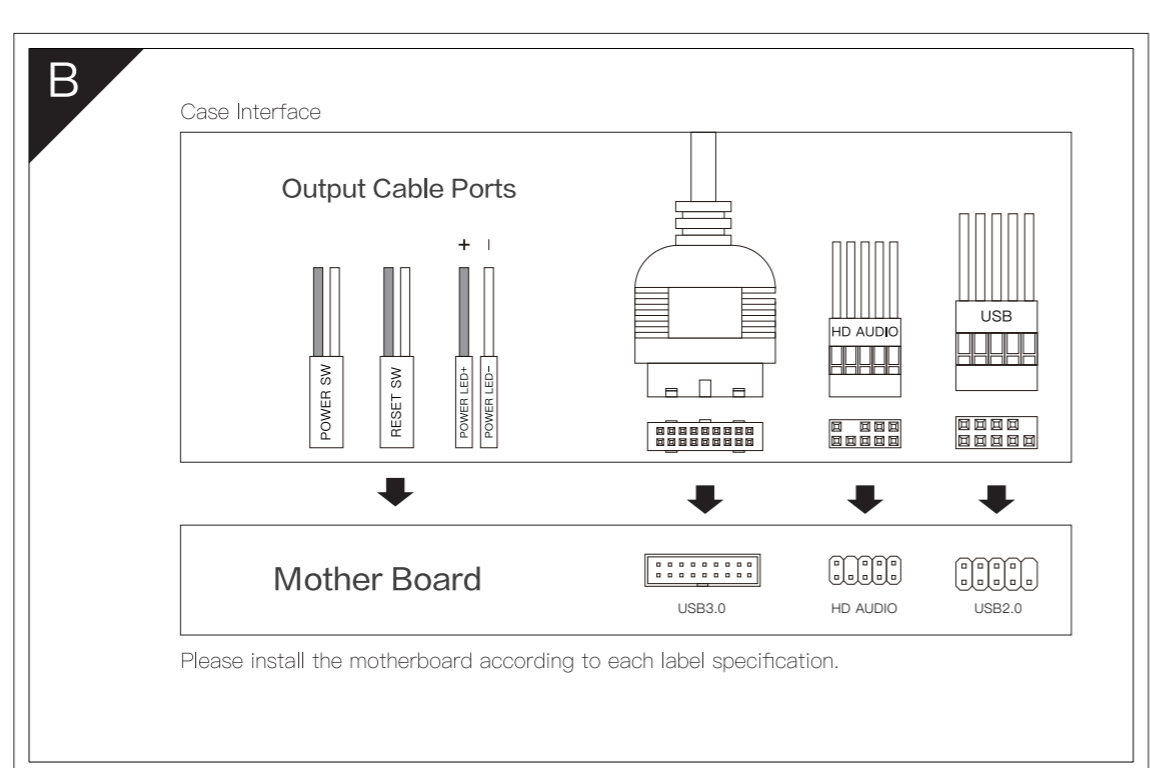


SPECIFICATIONS

Case Type	M-ATX
Material	0.6mm SPCC
Motherboard	M-ATX / ITX
Hardware Size	360*208*405mm(W*H*D)
Case Size	381*208*425.5mm(W*H*D)
HDD	2
SSD	2
PCI Slots	4 Slots
Max. VGA card	300mm
Max. CPU Cooler	160mm
I/O	Power / Reset / USB3.0*1 / USB 2.0*1 / HD AUDIO / LED

DLM200 LUXURY PC CHASSIS
FRONT PANEL MESH DESIGN

- A: Accessory bag
- B: Cable
- C: IO port
- D: Six angle picture
- E: Panel disassembly
- F: Power supply installation
- G: Motherboard installation
- H: VGA card installation
- I: System fan installation
- J: Water cooling installation
- K: Hard Drive installation



www.darkflash.com

Fly to unlimited!



DARKFLASH INFOTECH CO., LTD.
www.darkflash.com