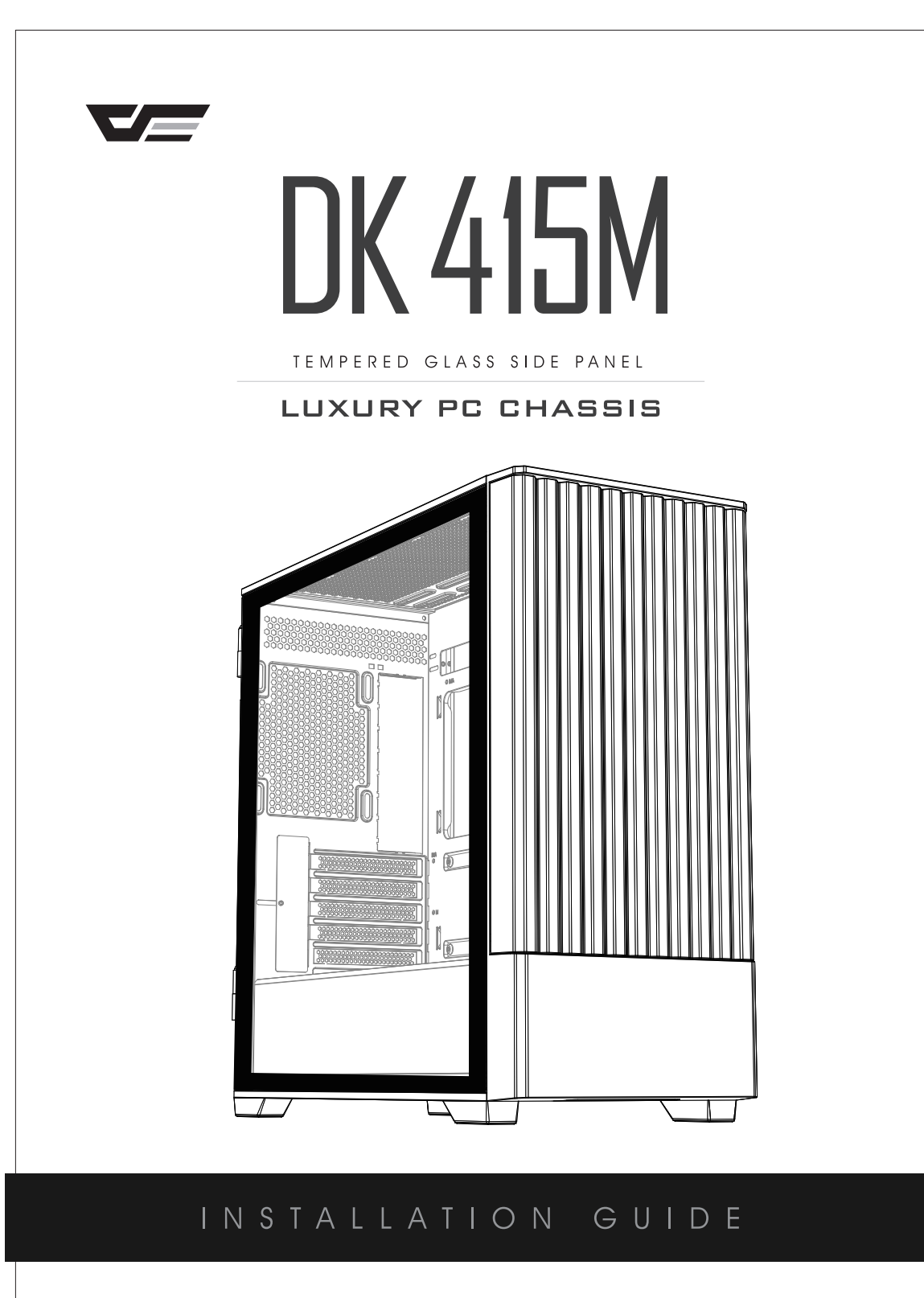


负责业务	负责设计

150mm

210mm



DK415M
TEMPERED GLASS SIDE PANEL
LUXURY PC CHASSIS

INSTALLATION GUIDE

SPECIFICATIONS

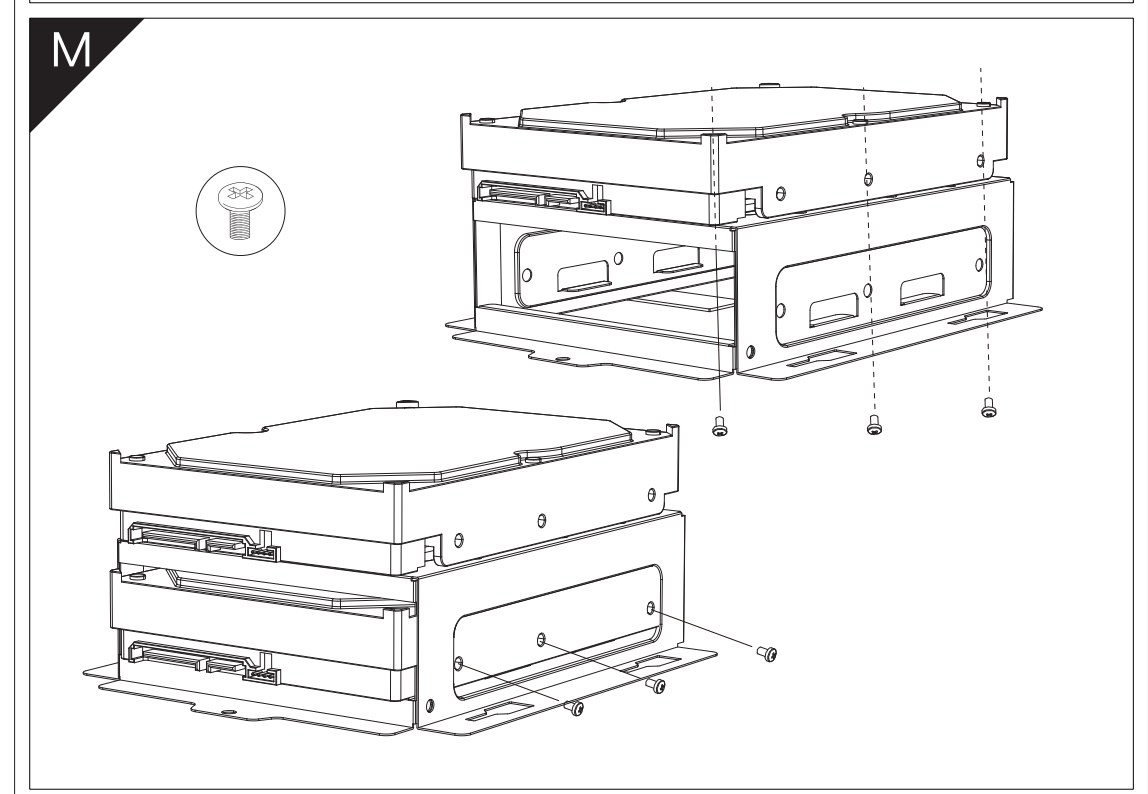
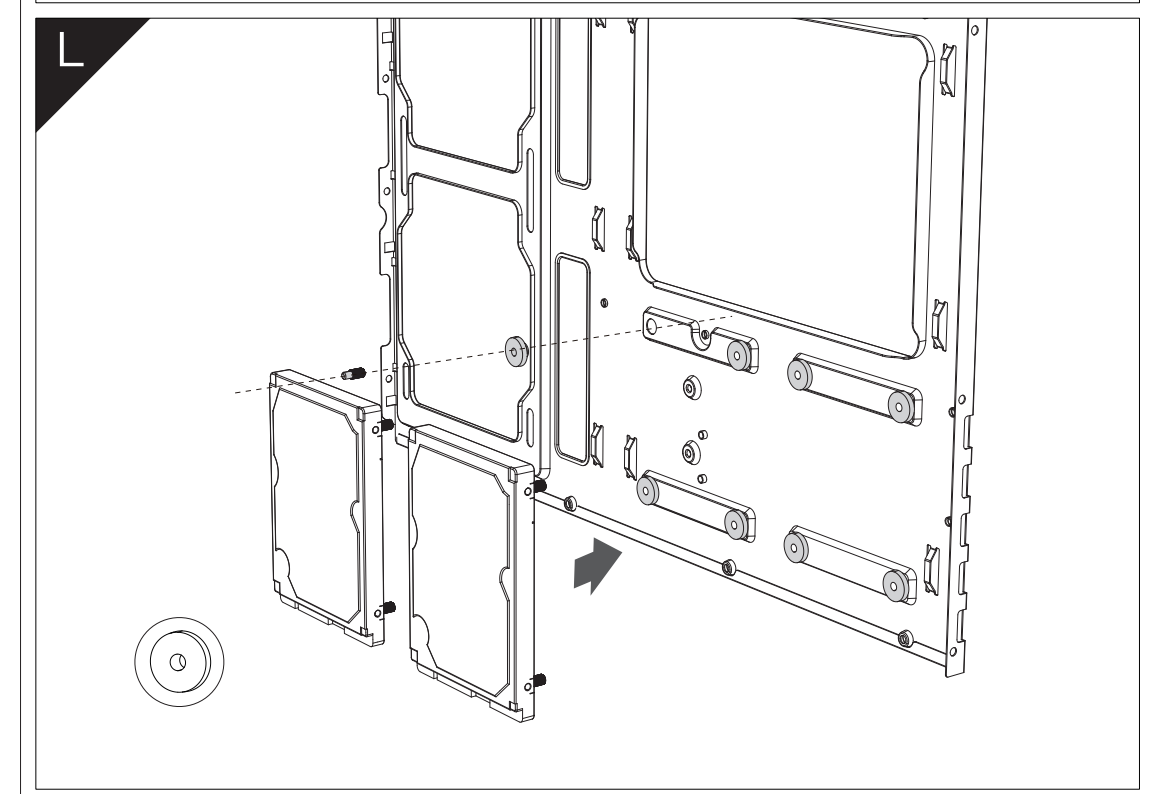
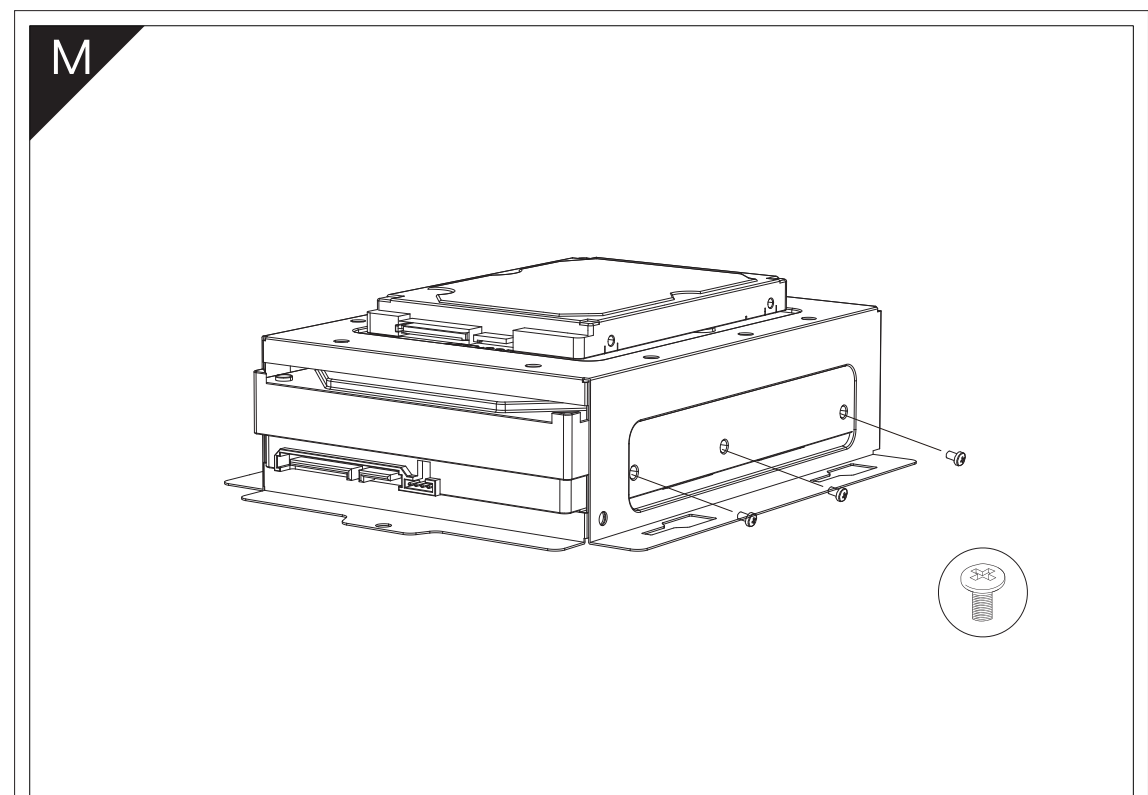
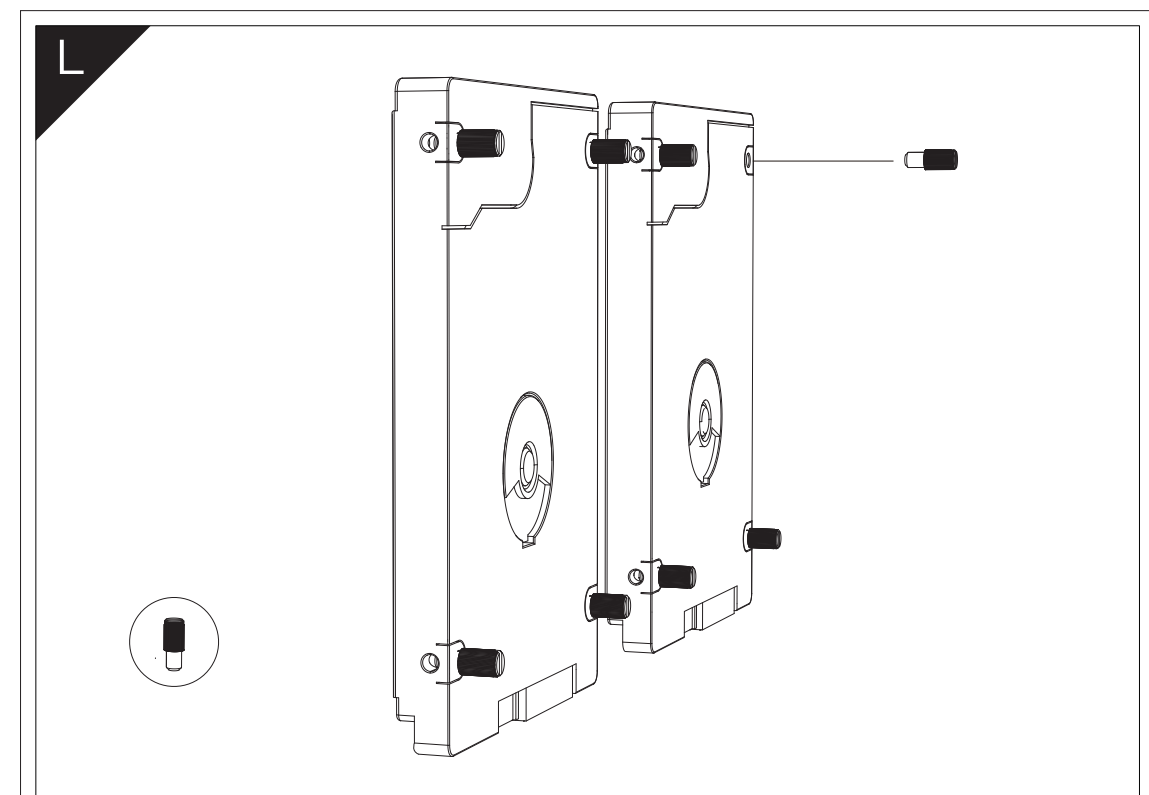
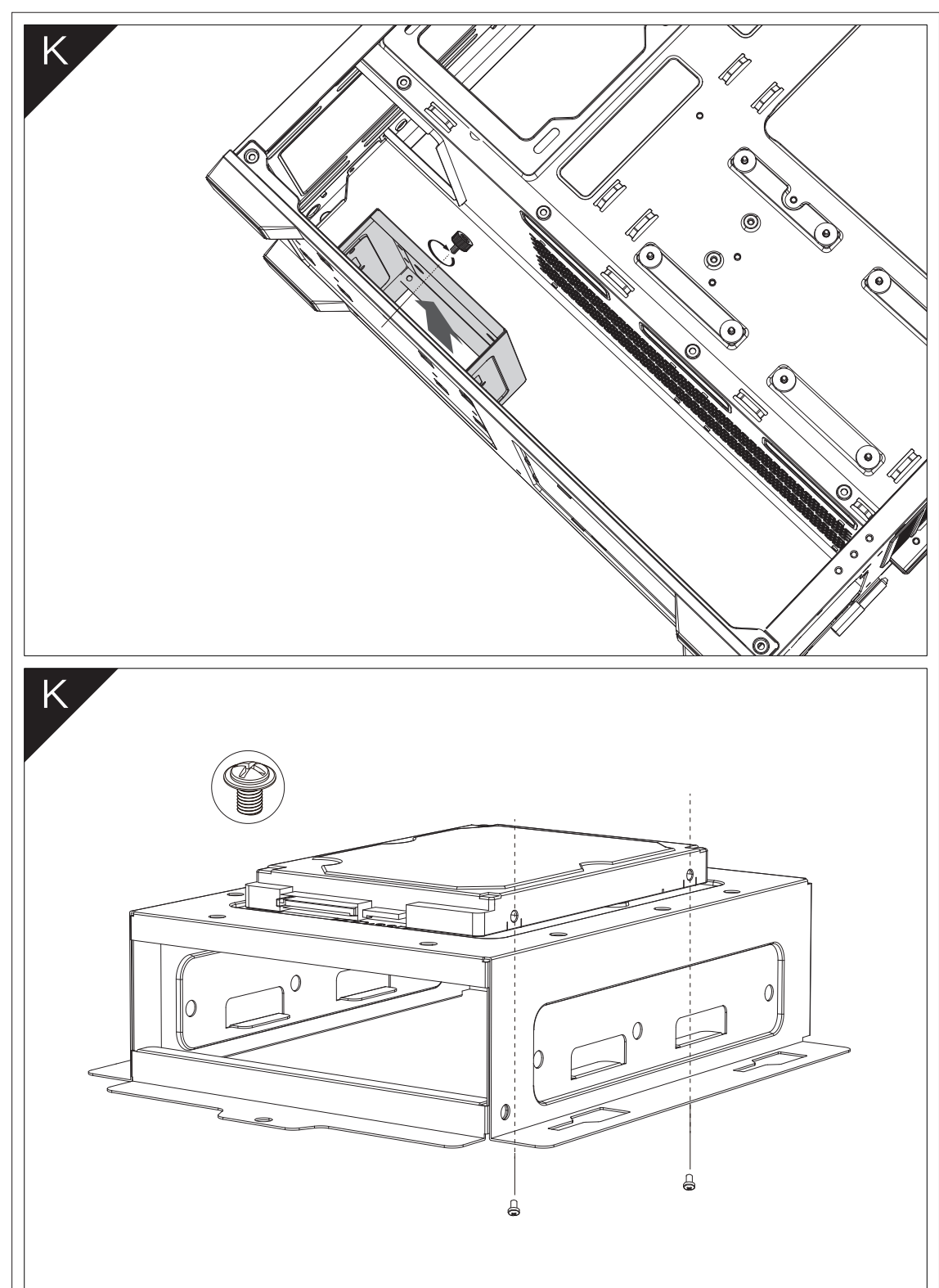
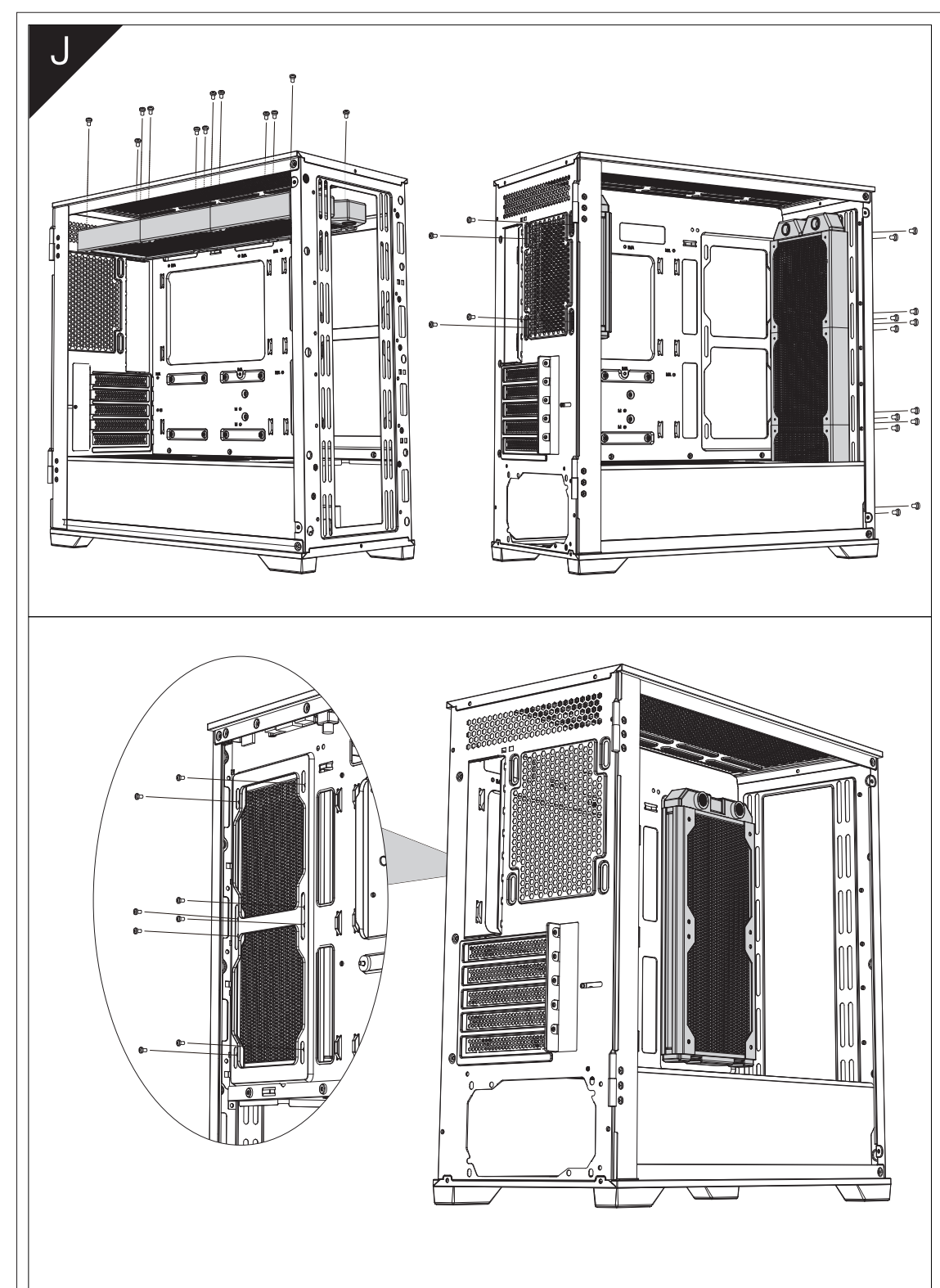
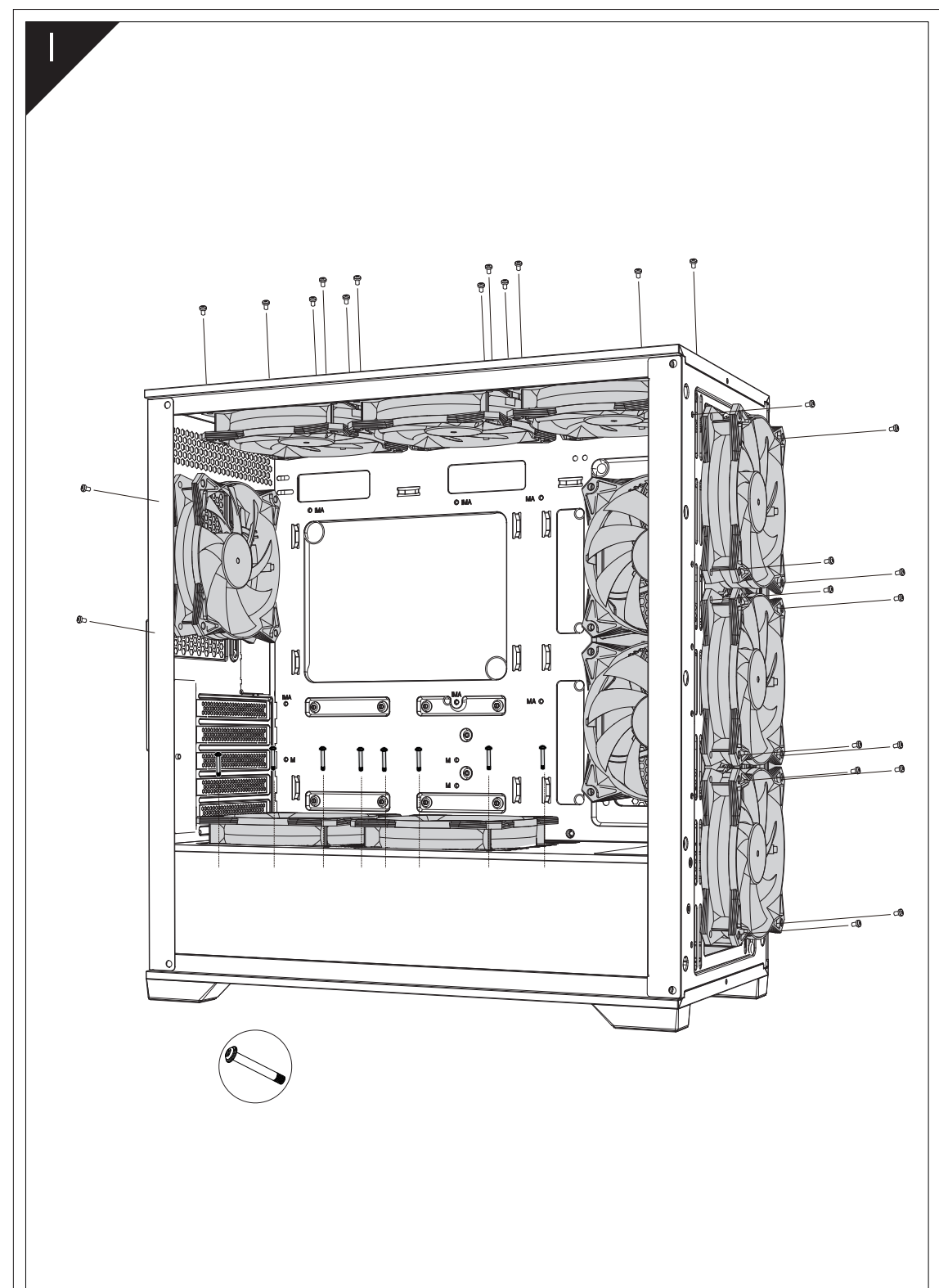
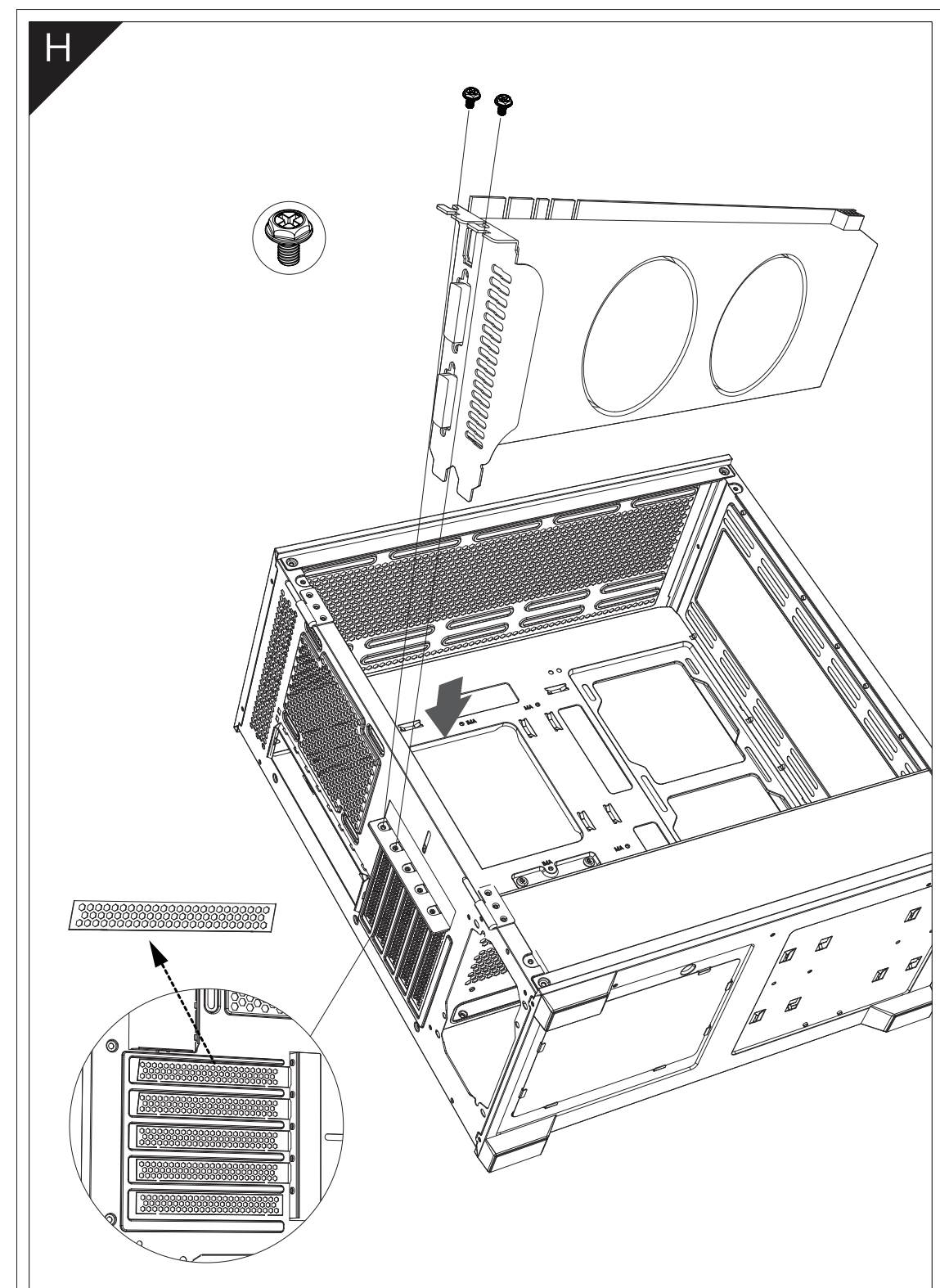
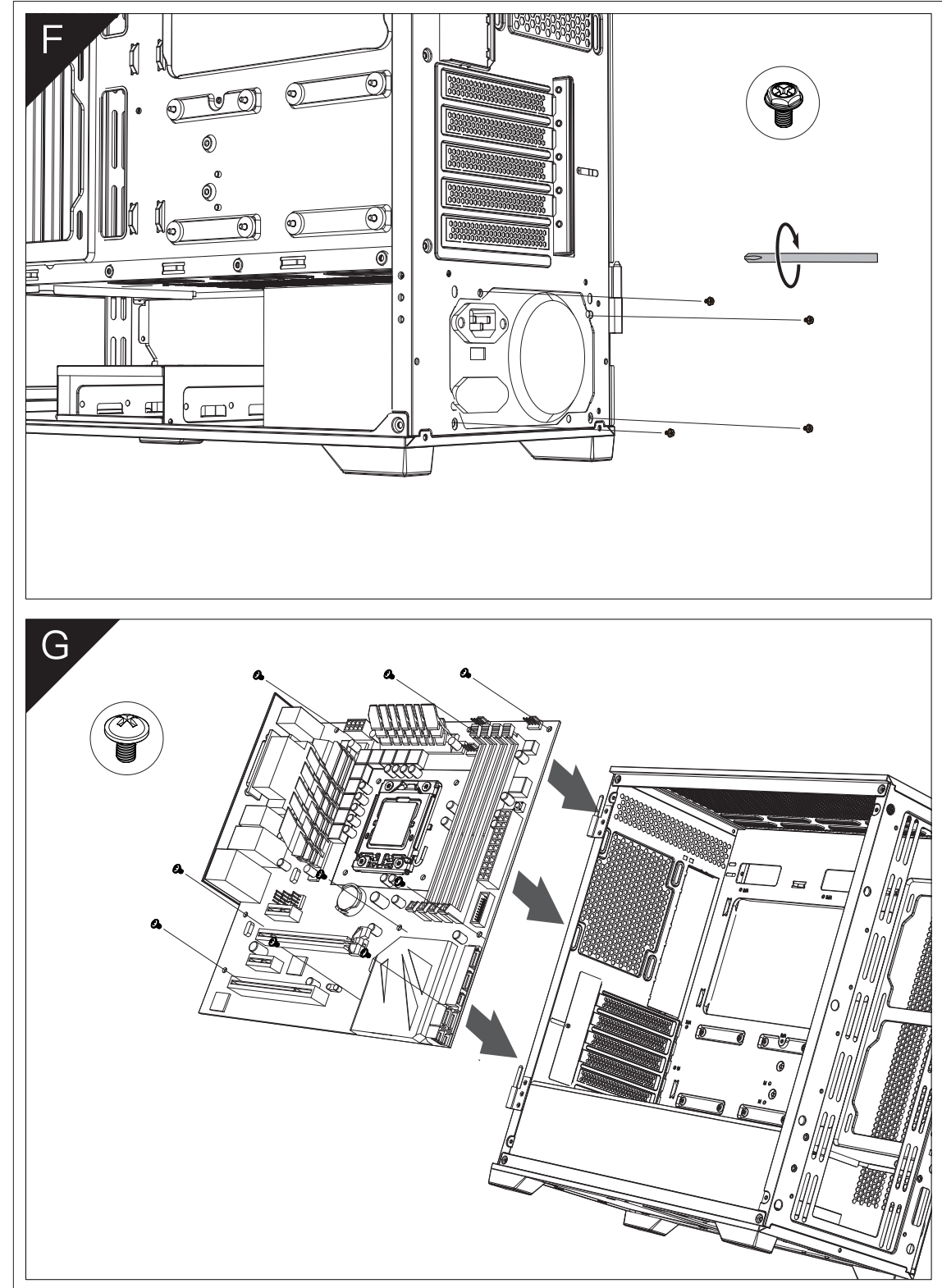
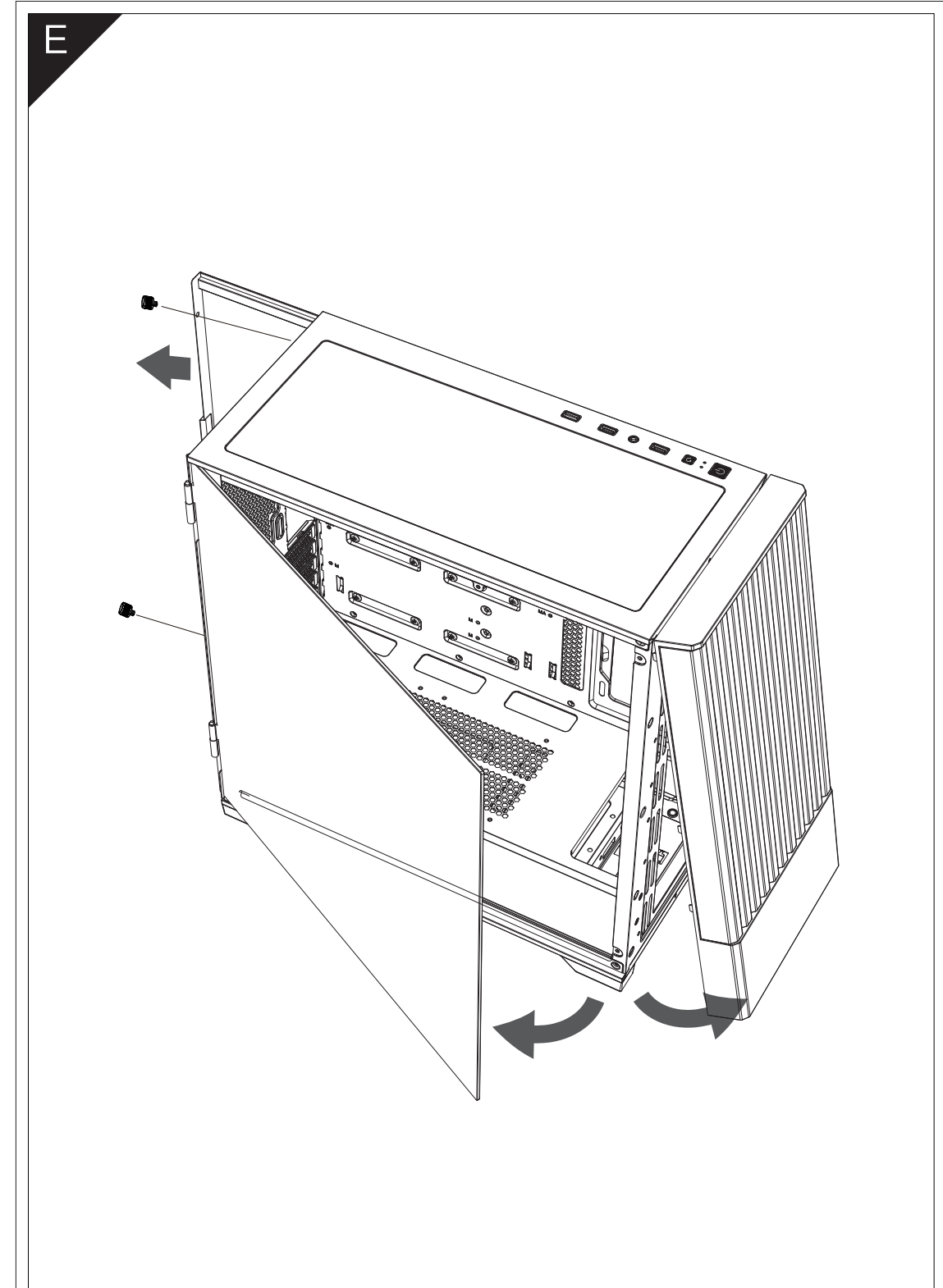
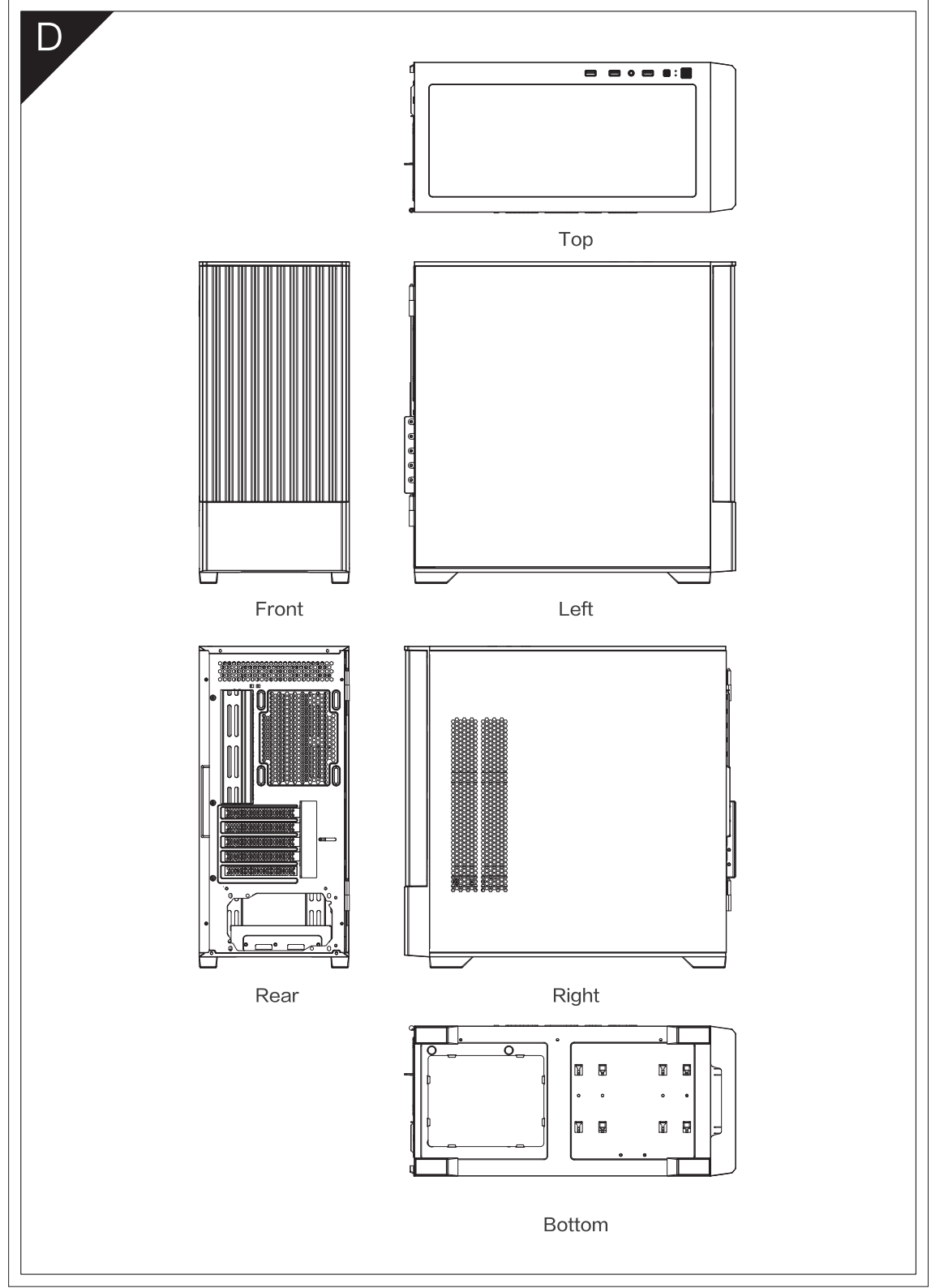
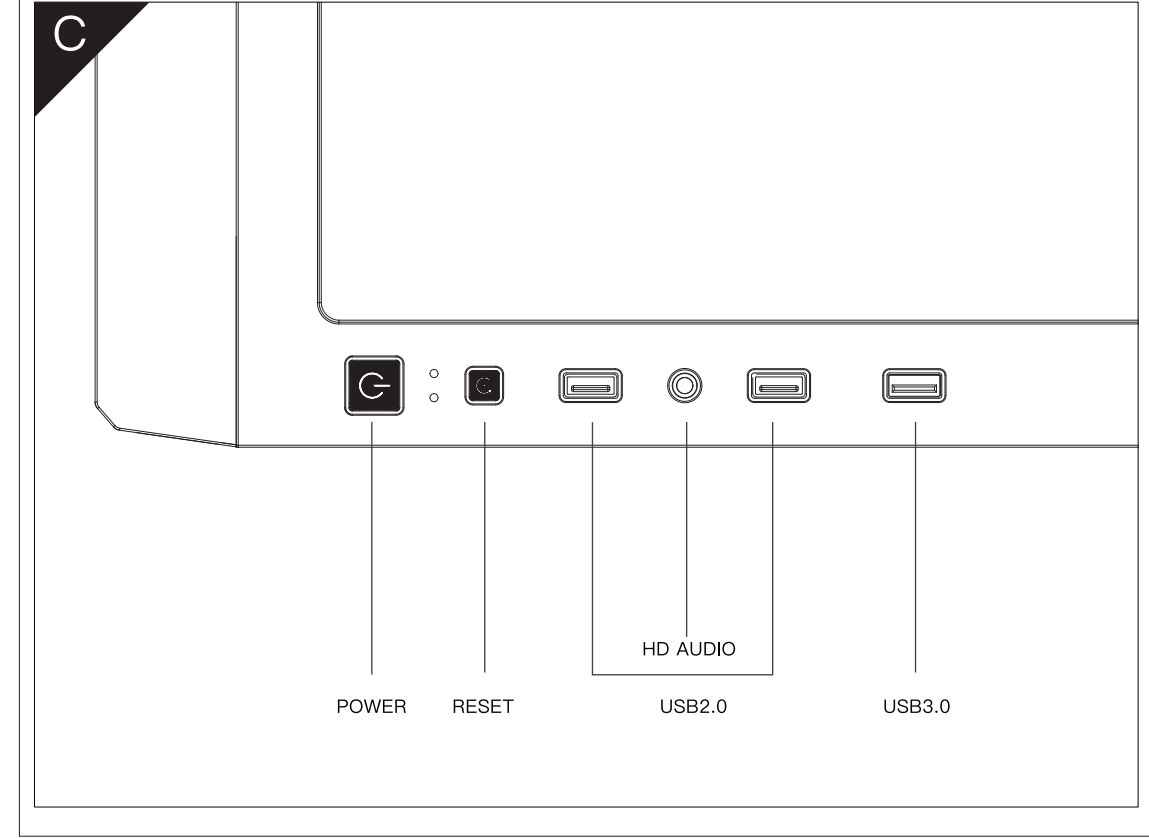
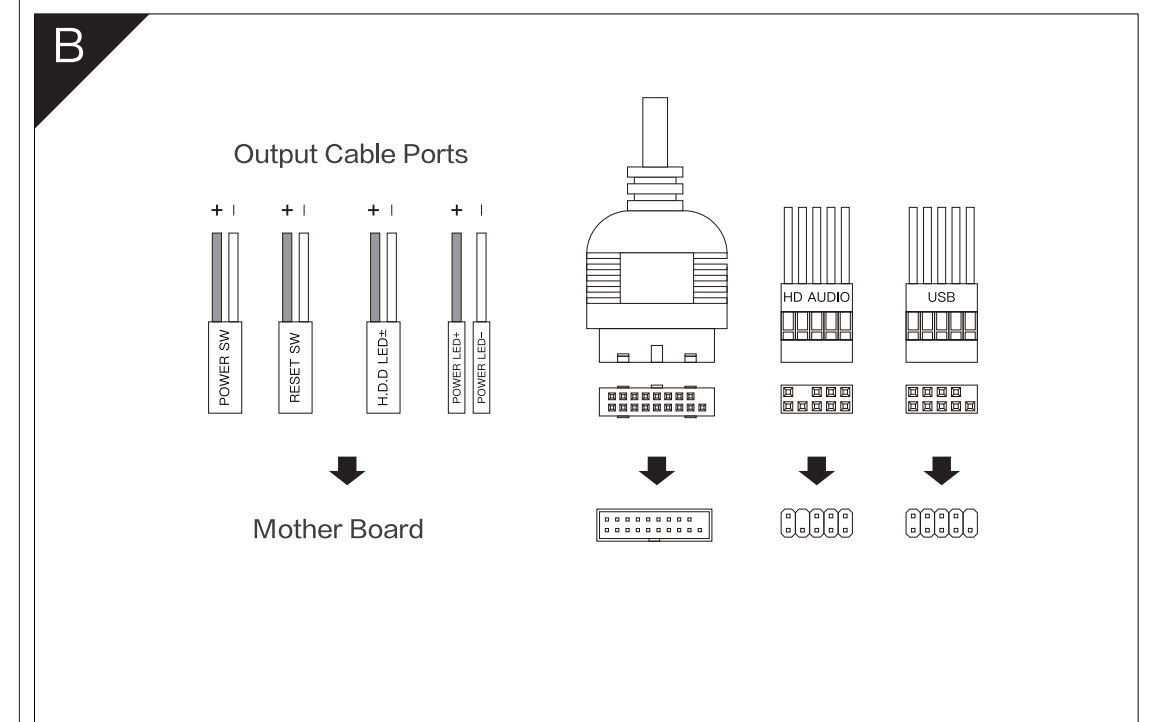
Model Name	DK415M
Material	0.6mm SPCC
Motherboard	M-ATX / ITX
Hardware Size	415*210*435mm(W*H*D)
Case Size	450*210*450mm(W*H*D)
HDD	2 or 1
SSD	2 or 3
PCI Slots	5 Slots
Max. VGA card	410mm
Max. CPU Cooler	165mm
I/O	Power / Reset / USB3.0*1 / USB2.0*2 / HD AUDIO

DK415M TEMPERED GLASS SIDE PANEL LUXURY PC CHASSIS

- A: Accessory bag
- B: Cable
- C: HD part
- D: Six angle picture
- E: Panel disassembly
- F: Power supply installation
- G: Motherboard installation
- H: VGA card installation
- I: System fan installation
- J: Water cooling installation
- K: HDD/SSD cover installation
- L: SSD installation
- M: HDD installation

A

- Motherboard screws*12
- Hard disk screws*8
- PSU screws*6
- SSD screws*8
- Iron columns*2 (pre-installed Epcc)
- SSD Rubber*8
- Copper Pillar Spacer*1
- Fan screws*8
- Belt*5



darkFlash
DARKFLASH INFOTECH CO., LTD.
www.darkflash.com

facebook.com/darkFlash_global/
instagram.com/darkflash_official/
darkflash_official