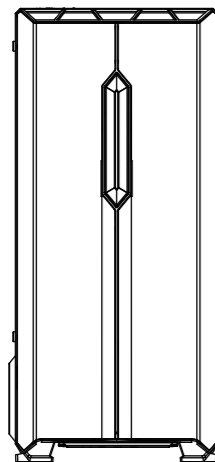


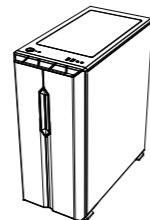
# T20

· Instruction manual ·



**darkFlash**

0

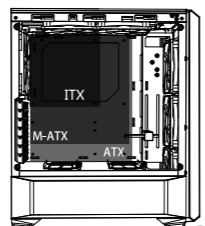


- A: Disassemble the side panel and the front panel
- B: Install the power supply
- C: Install the motherboard
- D: Install fan and radiator
- E: Install HDD
- F: Install SSD
- G: Install VGA card and disassemble the expansion slot

Accessory bag



C

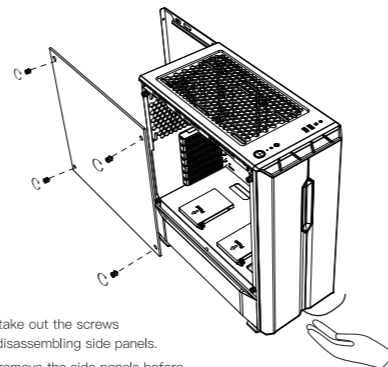


· Please make sure that the motherboard aims at the copper cylinder and fix motherboard with No.3 screw.

· Note: If the copper pillar of the case drops off, please fix it with No.2 copper cylinder.

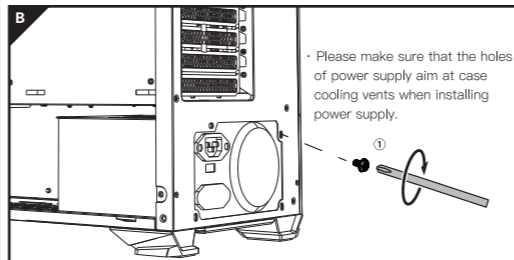


A



- Please take out the screws before disassembling side panels.
- Please remove the side panels before disassembling the front panel.

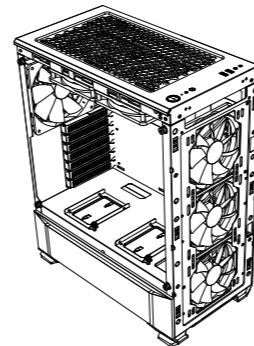
B



· Please make sure that the holes of power supply aim at case cooling vents when installing power supply.

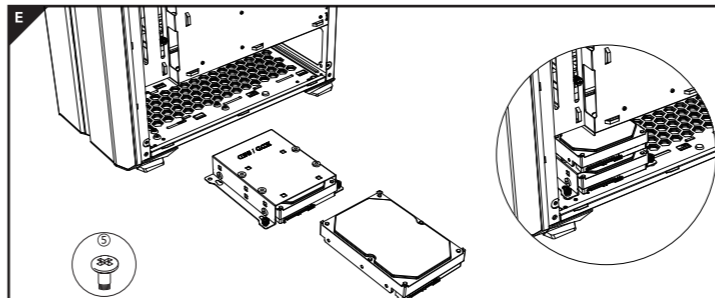


D



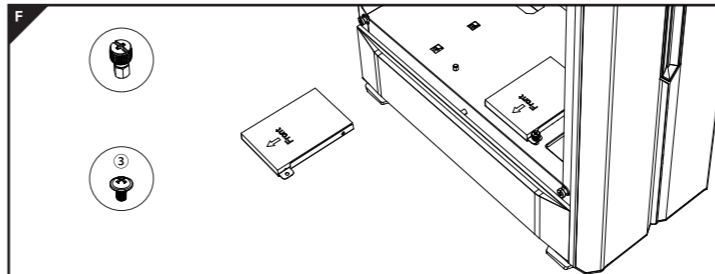
Fan:  
Front: 120mm\*3/140mm\*2  
Rear: 120mm\*1/140mm\*1  
Top: 120mm\*2/140mm\*2

E



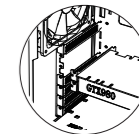
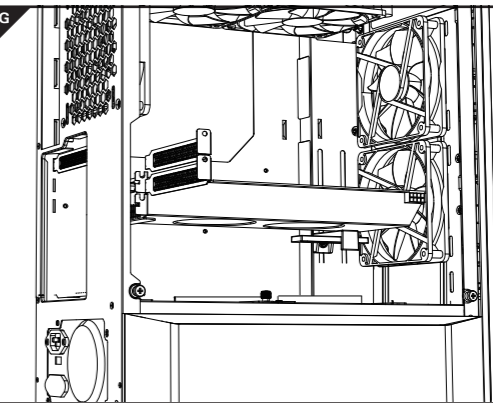
· Hard disk enclosure for both SSD and HDD; unscrew hard disk enclosure and install HDD with screws

F

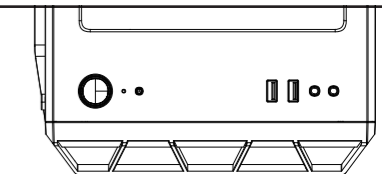
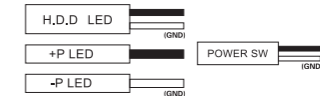


· Hard disk enclosure for both SSD and HDD; unscrew hard disk enclosure and install SSD with screws

G



- Remove the baffle marked in the picture, make sure the VGA card aims at the motherboard slot and then fix VGA card and case with No.1 screw.
- VGA card bracket is equipped, which can be adjusted according to VGA card location.



Fly to unlimited!